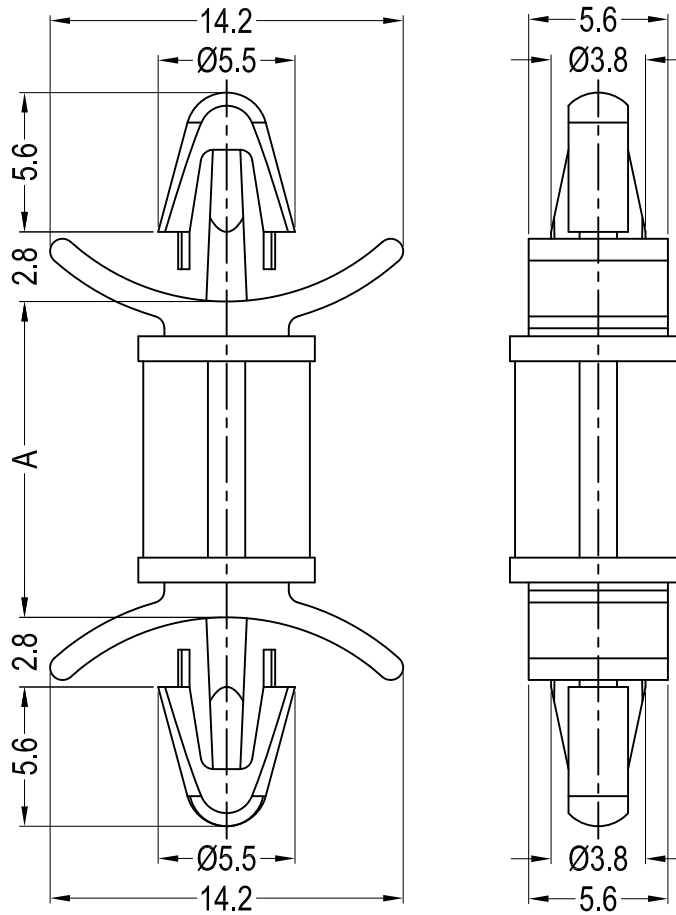


DO NOT SCALE DRAWING

REVISIONS				
ZONE	REV.	DESCRIPTION	DATE	APPROVED
	A	DRAWN	08-08-2013	



Part No.	A
TRDLCBS-3-01	4.8
TRDLCBS-4-01	6.4
TRDLCBS-5-01	7.9
TRDLCBS-6-01	9.5
TRDLCBS-7-01	11.1
TRDLCBS-8-01	12.7
TRDLCBS-9-01	14.3
TRDLCBS-10-01	15.9
TRDLCBS-12-01	19.1
TRDLCBS-14-01	22.2

Notes:  
 1.RoHS Compliant;  
 2.Hole:Ø4.0±0.08mm;  
 Panel Thickness:0.79-1.98mm;



DESIGN RIGHT. TR FASTENINGS LTD. 2003  
 UNDER NO CIRCUMSTANCES MUST THIS  
 DRAWING BE COPIED OR DISCLOSED.  
 WITHOUT FIRST OBTAINING WRITTEN  
 AUTHORITY.

UNLESS OTHERWISE SPECIFIED:  
 DIMENSIONS ARE IN MILLIMETERS.  
 SURFACE FINISH:  
 TOLERANCES:  
 L≤4 = ±0.1 4<L≤15 = ±0.2  
 15<L≤50 = ±0.3 50<L≤100 = ±0.4

NAME	DATE
DRAWN MARTIN ELLIOTT	08/08/2013
CHK'D	
APP'D	

CUSTOMER PART NO.

MATERIAL  
 PA66 UL94 V2

HEAT TREATMENT  
 N/A

FINISH  
 NATURAL

TITLE  
 DUAL LOCKING CIRCUIT  
 BOARD SUPPORT

DWG NO.  
 TRDLCBS-XX-01

A3