

## Data sheet

Commercial Art.No.: 92.032.7658.1

Device connector GST18I3F S2 REV SW

Device connectors, snap-in panel mount, GST18I3, 3 pole, male, spring clamp connection, 250 V, 20 A, material thickness 1,5 - 2,5 mm, colour of coding: black



|                    |               |
|--------------------|---------------|
| Commercial Art.No. | 92.032.7658.1 |
| EAN                | 4015573583894 |
| Order Unit         | 1             |

Certificates / Approvals



## Technical data

### General

|                                  |                                  |
|----------------------------------|----------------------------------|
| Rated current                    | 20 A                             |
| Rated voltage                    | 250 V                            |
| Pollution degree                 | 2                                |
| Mechanical coding                | Code 1                           |
| Rated impulse voltage            | 4 kV                             |
| Lockable                         | self-locking (unlocking by tool) |
| Color of coding/ contact carrier | black                            |
| Marking of poles                 | L, N, PE                         |

### Connection Data

|   |                     |
|---|---------------------|
| Connection cross section solid mm <sup>2</sup> max.         | 2.5 mm <sup>2</sup> |
| Connection cross section solid mm <sup>2</sup> min.         | 0.5 mm <sup>2</sup> |
| Connection cross section fine stranded mm <sup>2</sup> max. | 1.5 mm <sup>2</sup> |
| Connection cross section fine stranded mm <sup>2</sup> min. | 0.5 mm <sup>2</sup> |
| Terminations per pole                                       | 2                   |
| Wire strip length   | 9 mm                |

### Model

|   |  |
|---|--|
| Model                                       | male   |
| Connection type                             | spring clamp connection  |
| Angle of plug                               | straight   |
| Degree of protection (IP)                   | IP20   |
| Remark to type of connection                | Fine stranded and stranded conductors require cable end sleeve |
| Thickness of housings (electrical device) 2 | 1.5 mm   |
| Thickness of housings (electrical device)   | 2.5 mm   |
| built-in component                          | snap-in  |

**Material**

|  |            |
|--|------------|
| Housing material                             | Polyamide  |
| halogen free                                 | yes        |
| Contact material                             | CuZn       |
| Fire load                                    | 0.064 kWh  |
| Insulation components continuous temperature | 100 °C     |
| Surface finish                               | Tin-plated |

**Dimensions**

|        |         |
|--------|---------|
| Length | 37.5 mm |
| Width  | 32.8 mm |
| Height | 17.5 mm |

**Classification**

|            |          |
|------------|----------|
| ECLASS 11  |          |
| ECLASS 8.1 | 27440602 |
| ETIM 7.0   | EC002566 |
| ETIM 6.0   | EC002566 |
| ETIM 5.0   | EC002566 |
| ETIM 4.0   | EC002566 |

**Product compliance**

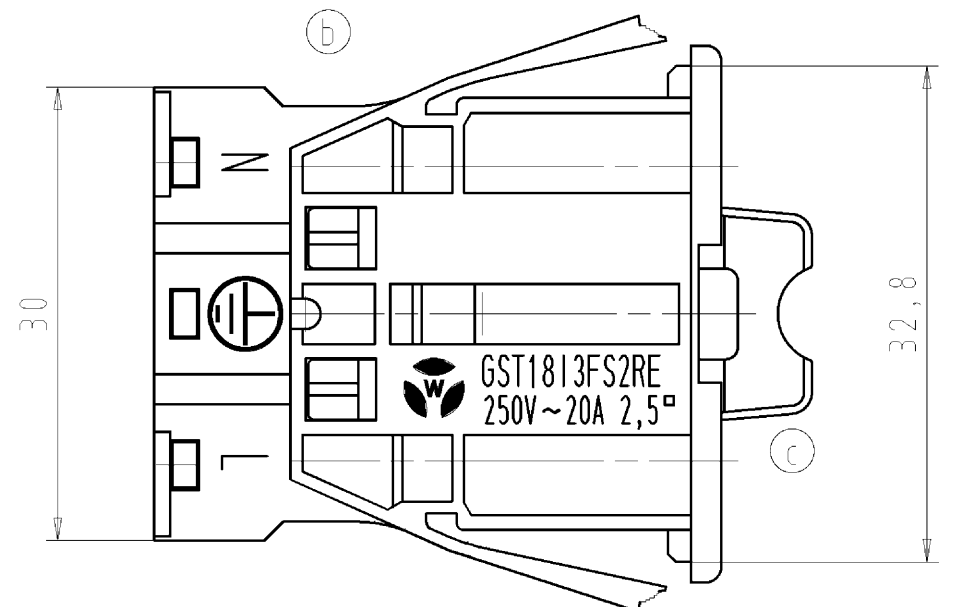
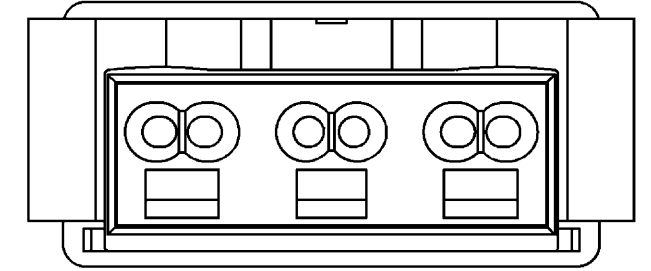
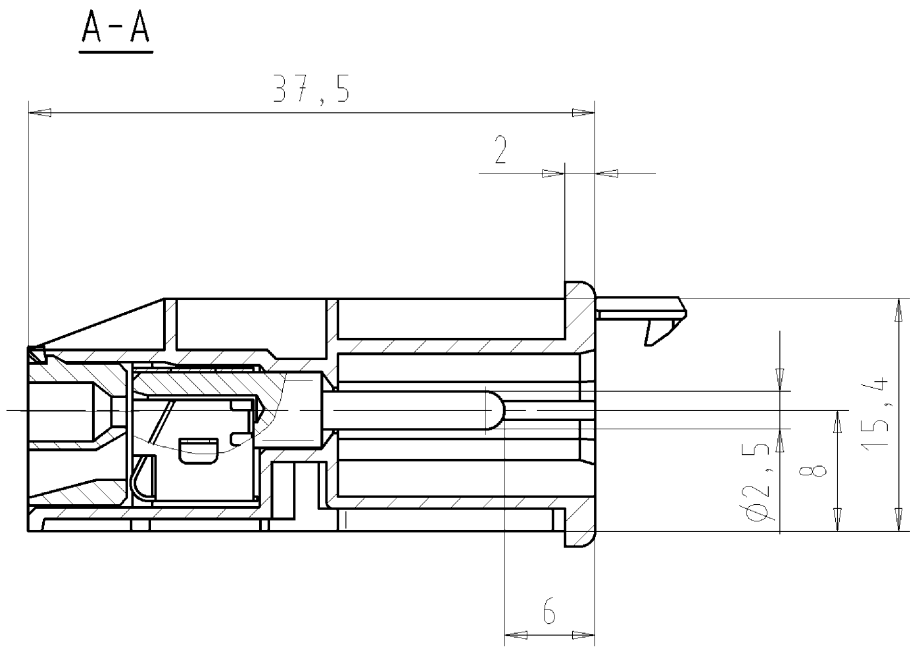
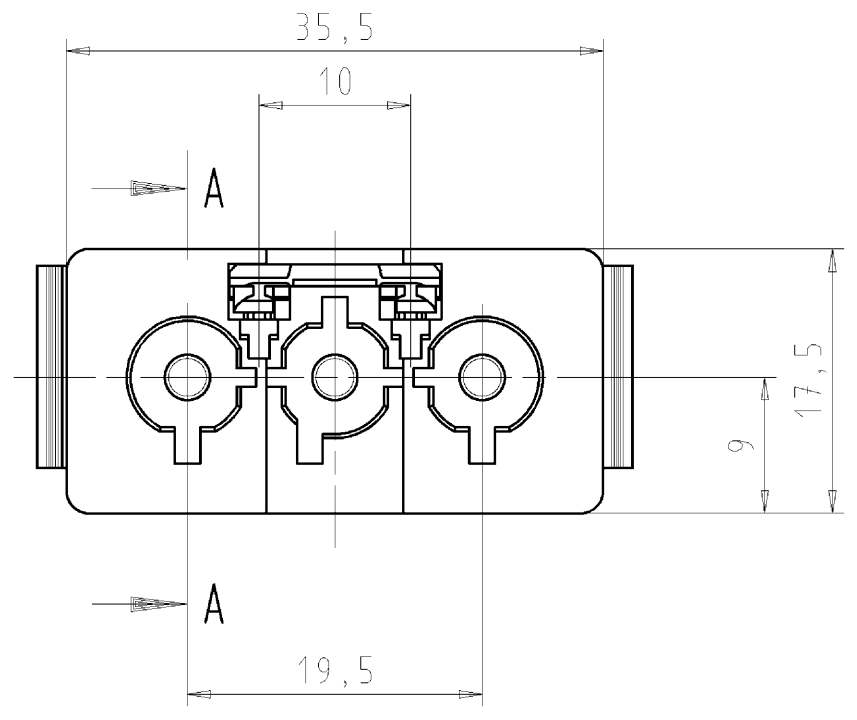
|                              |                    |
|------------------------------|--------------------|
| ROHS conformity status       | Compliant/Exempted |
| ROHS exceptions              | III-6(c)           |
| REACH-SVHC conformity status | Duty-To-Declare    |
| REACH-SVHC substances        | Lead               |
| REACH-SVHC CAS numbers       | 7439-92-1          |

**Accessories**

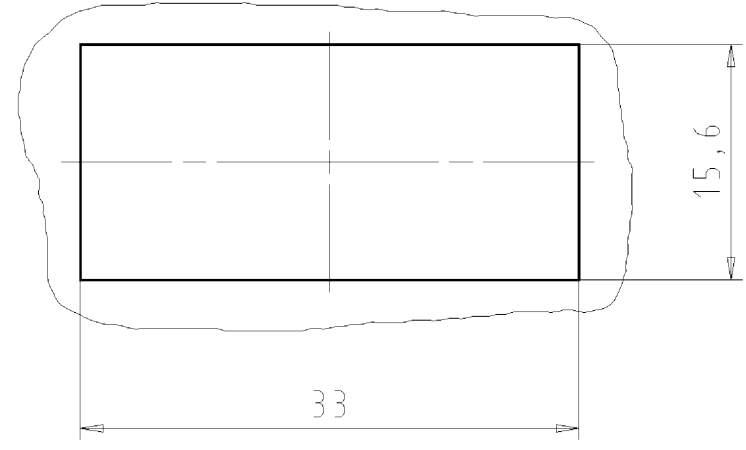
| Commercial Art.No.: | Article-type description:         | Description:   |
|---------------------|-----------------------------------|--|
| 05.595.1453.0       | Lock (G)ST18V SW                  | Locking device for snap-in panel mount GST18i3-5, retrofit part, black |
| 05.595.1453.2       | Lock (G)ST18V WS                  | Locking device for snap-in panel mount GST18i3-5, retrofit part, white |
| 05.561.3653.0       | cover cap GST18i3VS B WS          | Cover piece for female GST18i3, white                                  |
| 05.561.3653.1       | cover cap GST18i3VS B SW          | Cover piece for female GST18i3, black                                  |
| 05.564.5353.0       | cover cap GST18i3/4/5 SW          | Cover piece 12 pole black for female parts GST18i3-6                   |
| 05.564.5353.2       | cover cap GST18i3/4/5 WS          | Cover piece 12 pole white for female parts GST18i3-6                   |
| 05.594.4250.0       | cover cap ST18/3B + GST18i3 ST WS |  |
| 05.594.4253.0       | cover cap ST18/3B + GST18i3 ST WS |  |
| 07.425.8753.0       | Cover GST18i3 WS                  | Cover to close unused openings for GST18i3 panel mounts. Cover: white  |
| 07.425.8753.1       | Cover GST18i3 SW                  | Cover to close unused openings for GST18i3 panel mounts. Cover: black  |

These dimensions will be especially checked at delivery  
 Only inspection dimensions  
 With ±E marked dimensions are only valid for internal use

Diese Maße werden bei Abnahme besonders geprüft  
 Ausschließliche Prüfmaße  
 Mit ±E gekennzeichnete Maße sind nur für interne Zwecke gültig



**Blechausschnitt / sheet cutout**  
 Blechdicke / sheet thickness 1,5 - 2,5 mm



Weitere Daten siehe Katalog  
 further data see catalog

| Teile - Nr.<br>part - no. | Typ<br>type         | Farbe<br>colour |
|---------------------------|---------------------|-----------------|
| 92.032.7658.0             | GST1813F S2 RE V WS | weiß            |
| 92.032.7658.1             | GST1813F S2 RE V SW | schwarz         |

|  |  |   |  |   |          |   |  |
|--|--|---|--|---|----------|---|--|
| Tolerierung Size ISO 14405/Tolerance system Size ISO 14405<br>(This ISO-standard describes the envelope principle. According to the envelope principle the deviations of form and parallelism are limited by the size tolerances). |  |   |  | ja/yes <input checked="" type="checkbox"/> Stoffverbots- und Deklarationsliste nach UU-TOM-05/03 ist einzuhalten.<br>Conformity with Wieland document UU-TOM-05/03 (list of prohibited / declarable hazardous substances) to be declared! |          |   |  |
| Freitoleranz nach -<br>General tolerance   |  | CAD - Zeichnung, keine manuellen Änderungen<br>CAD - drawing, no manual modifications allowed |  | 1. Verwendung: -<br>First Use:  |          | Blatt: 1 von 1<br>Sheet: of 1   |  |
|  |  | Werkstoff/Material  |  | 2005  | Tag/Date | Name  |  |
|  |  |   |  | gezeichnet<br>drawn   | 09.08.   | Hennemann V.  |  |
|  |  | Maßstab/Scale   |  | geprüft<br>checked  | -        |   |  |
|  |  | 2:1   |  | Normgepr.<br>Stand. check   | -        |   |  |
| c 20.02.2014/ Vol. mm <sup>3</sup> Ofl./Surf. mm <sup>2</sup>  |  |   |  | Ersatz für/Replacement for: -   |          |   |  |
| b 05.02.2014/  |  | a 01.02.2013/   |  | Type  |          | Benennung/Tittle  |  |
| Index  |  | Datum / Blatt<br>Date / Sheet   |  | wieland   |          | male connector  |  |
| Änderung/Revision  |  | Elektrische Verbindungen  |  | STECKERTEIL   |          | z.Verrasten m.schraubl.Anschluss/ for locking with screwless connection |  |
|  |  |   |  | a   |          | 250V AC, 20A, 2,5qmm  |  |

Weitergabe sowie Vervielfältigung dieses Dokuments, Verwertung und Mitteilung seines Inhalts sind verboten, soweit nicht ausdrücklich gestattet.  
 The reproduction, distribution and utilization of this document as well as the communication of its contents to others without express authorization is prohibited.

920327658001K\_2 CADW3027 Duesch 2014-02-20T10:14:49 1.000