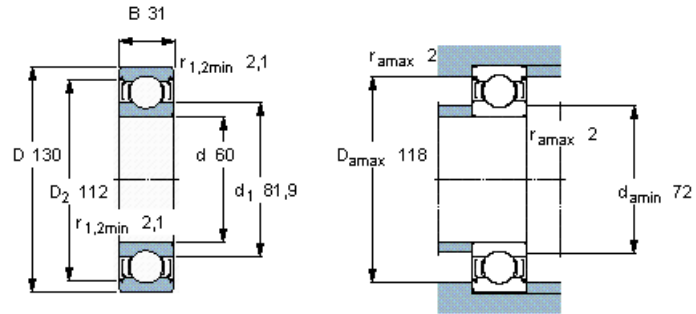


# Deep groove ball bearings, single row

Principal dimensions			Basic load ratings		Fatigue load limit $P_u$	Speed ratings		Mass	Designation
d	D	B	dynamic	static		Reference speed	Limiting speed		
mm			kN	$C_0$	kN	r/min		kg	-
60	130	31	85,2	52	2,2	11000	5600	1,70	6312-2Z *



**Calculation factors**

$k_r$  0,03  
 $f_0$  13