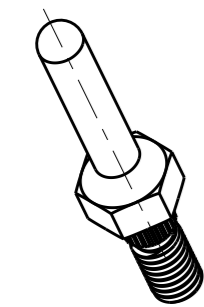


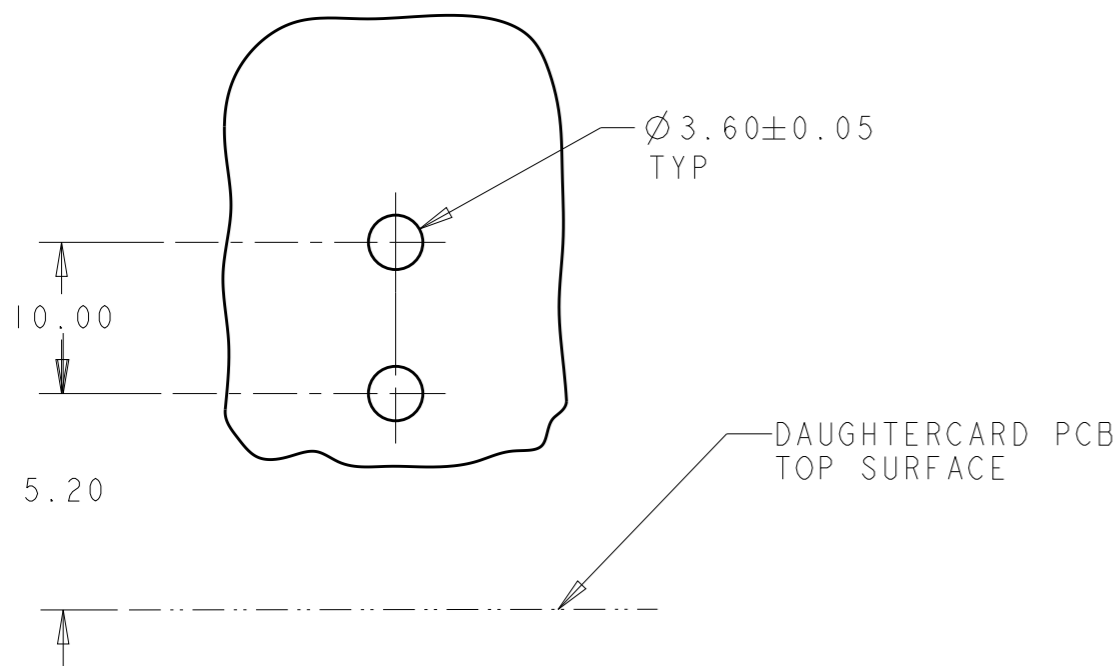
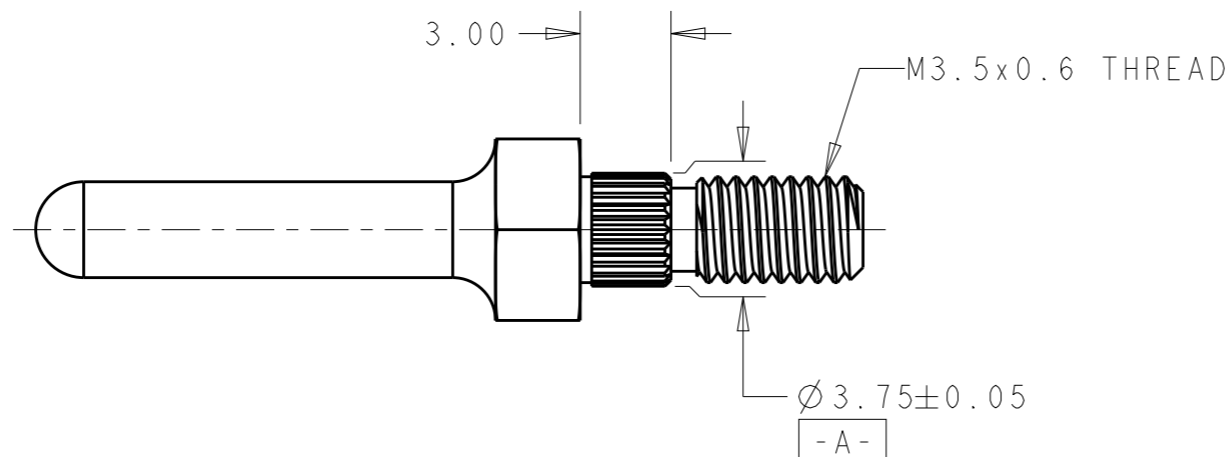
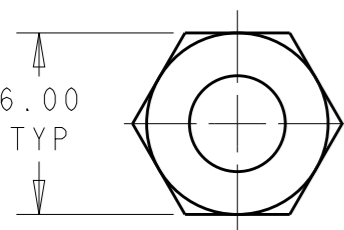
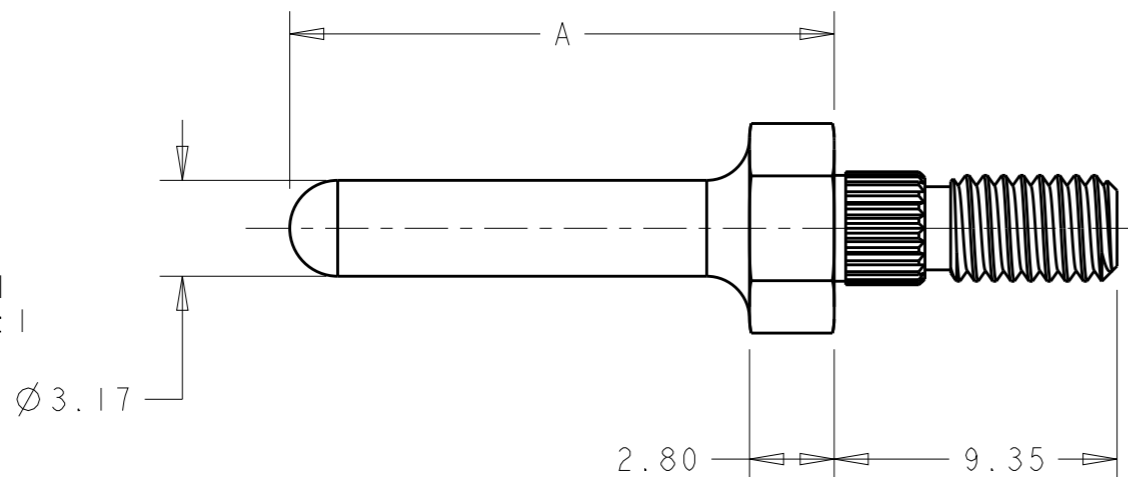
THIS DRAWING IS UNPUBLISHED. RELEASED FOR PUBLICATION 20  
 © COPYRIGHT 20 BY - ALL RIGHTS RESERVED.

REVISIONS

P	LTR	DESCRIPTION	DATE	DWN	APVD
	A	RELEASED PER ECO-09-022496	12OCT2009	RG	DO
	A1	REVISED PER ECR-16-003350	04MAR2016	RS	SZ
	A2	REVISED PER ECR-16-016119	21OCT2016	RS	SZ



1766663-1  
SCALE 2:1



- 1 MATERIAL: BRASS,
- 2 FINISH: SILVER PLATE OVER NICKEL UNDERPLATE.
- 3. MINIMUM PC BOARD THICKNESS: 3.2mm (.125").
- 4. THIS PRODUCT HAS NOT COMPLETED A VALIDATION TEST.

23.00	FIRST MATE	I-1766663-0
21.00	GROUND	1766663-8
20.00	FIRST MATE	1766663-6
18.00	GROUND	1766663-2
16.00	POWER	1766663-1
A	DESCRIPTION	PART NUMBER

THIS DRAWING IS A CONTROLLED DOCUMENT.		DWN 12SEP2005 B. COSTELLO		TE Connectivity	
DIMENSIONS: mm		CHK 10FEB06 G. D. DEFIBAUGH			
TOLERANCES UNLESS OTHERWISE SPECIFIED:		APVD 10FEB06 G. R. DEFIBAUGH		NAME ICCON PIN, 3.17mm DIA., POWER/GUIDE	
0 PLC ±- 1 PLC ±0.5 2 PLC ±0.35 3 PLC ±- 4 PLC ±- ANGLES ±1°		PRODUCT SPEC -		APPLICATION SPEC -	
MATERIAL 1		FINISH 2		WEIGHT -	
CUSTOMER DRAWING		SCALE 2:1		SHEET 1 OF 1	
		SIZE A3		CAGE CODE 00779	
		DRAWING NO. 1766663		RESTRICTED TO -	
		REV A2			

RECOMENDED PCB LAYOUT

# Mouser Electronics

Authorized Distributor

Click to View Pricing, Inventory, Delivery & Lifecycle Information:

[TE Connectivity:](#)

[1766663-2](#)