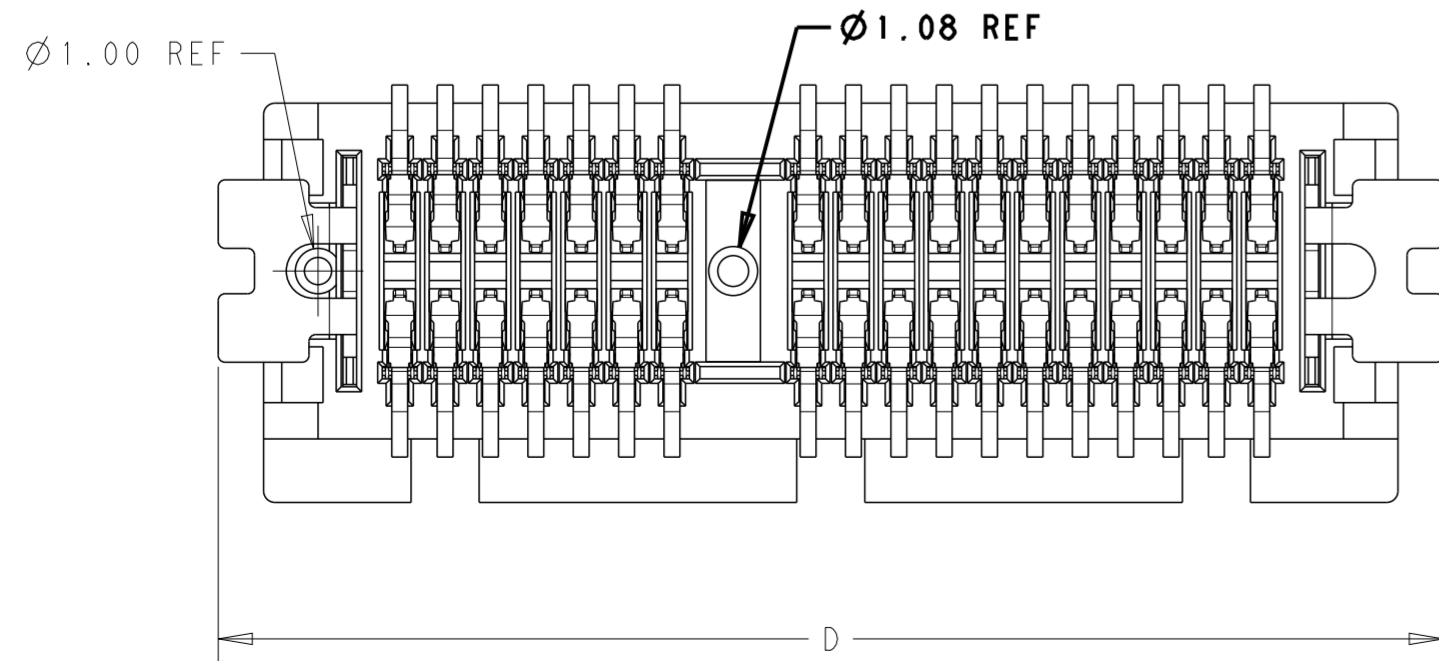
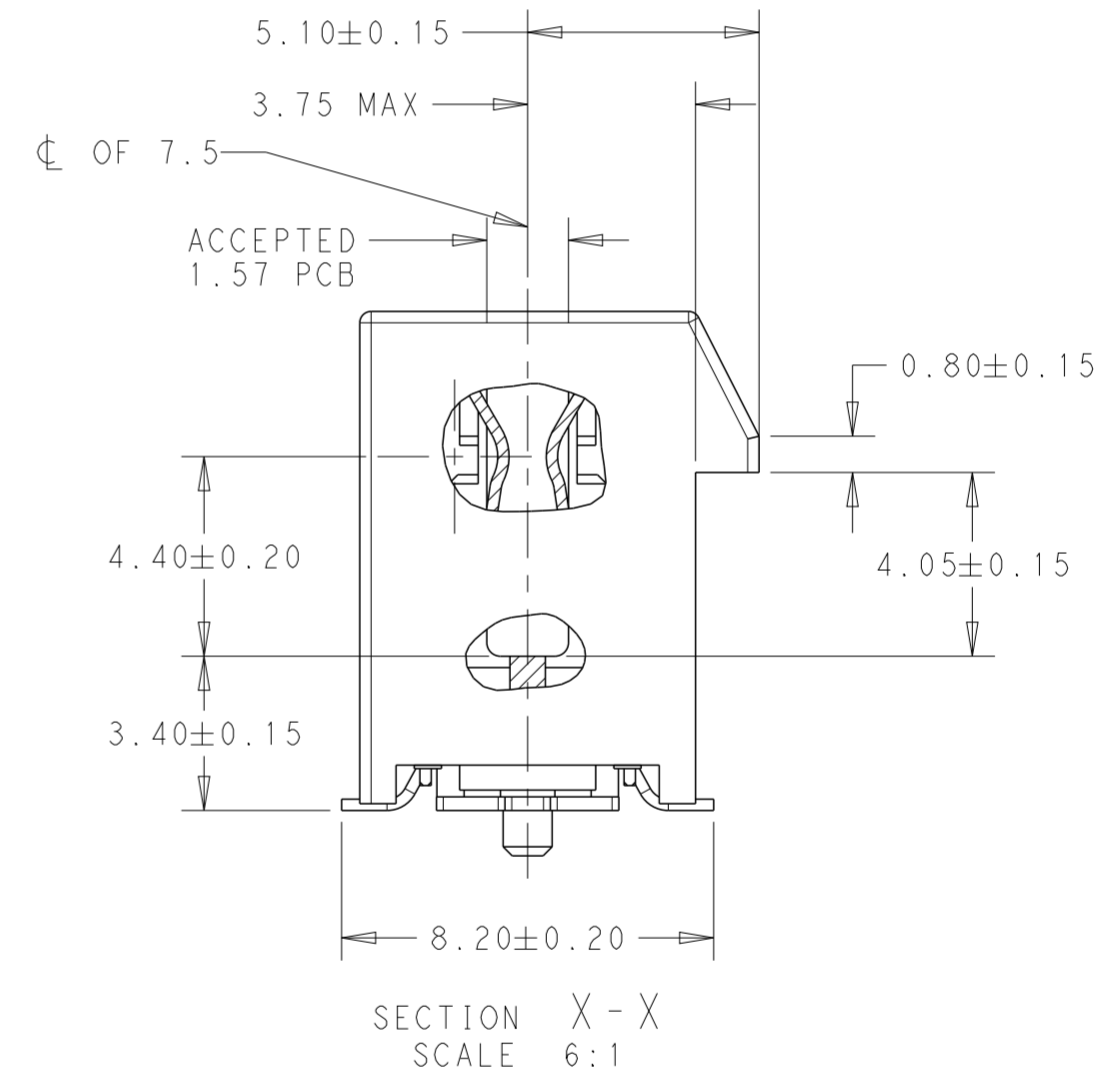
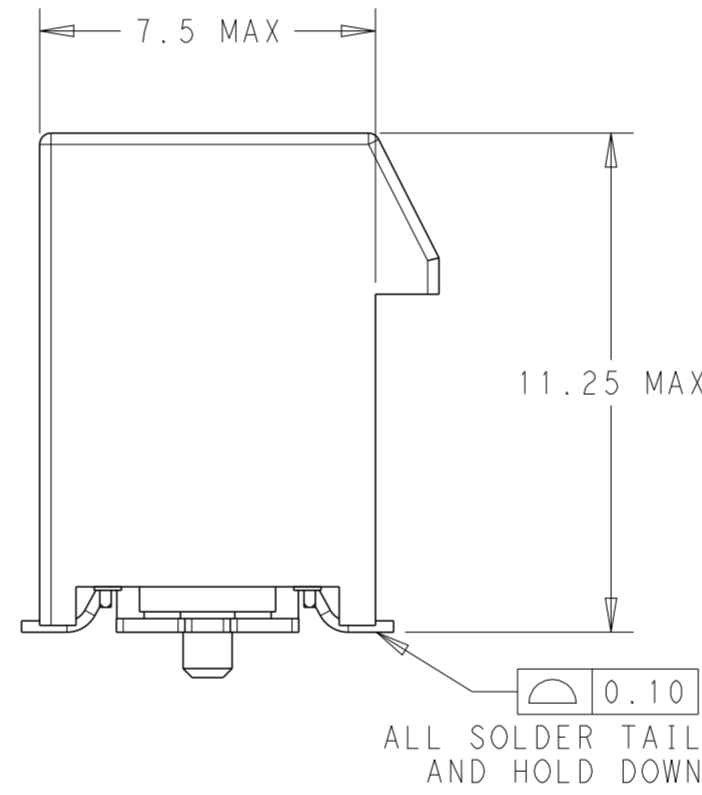
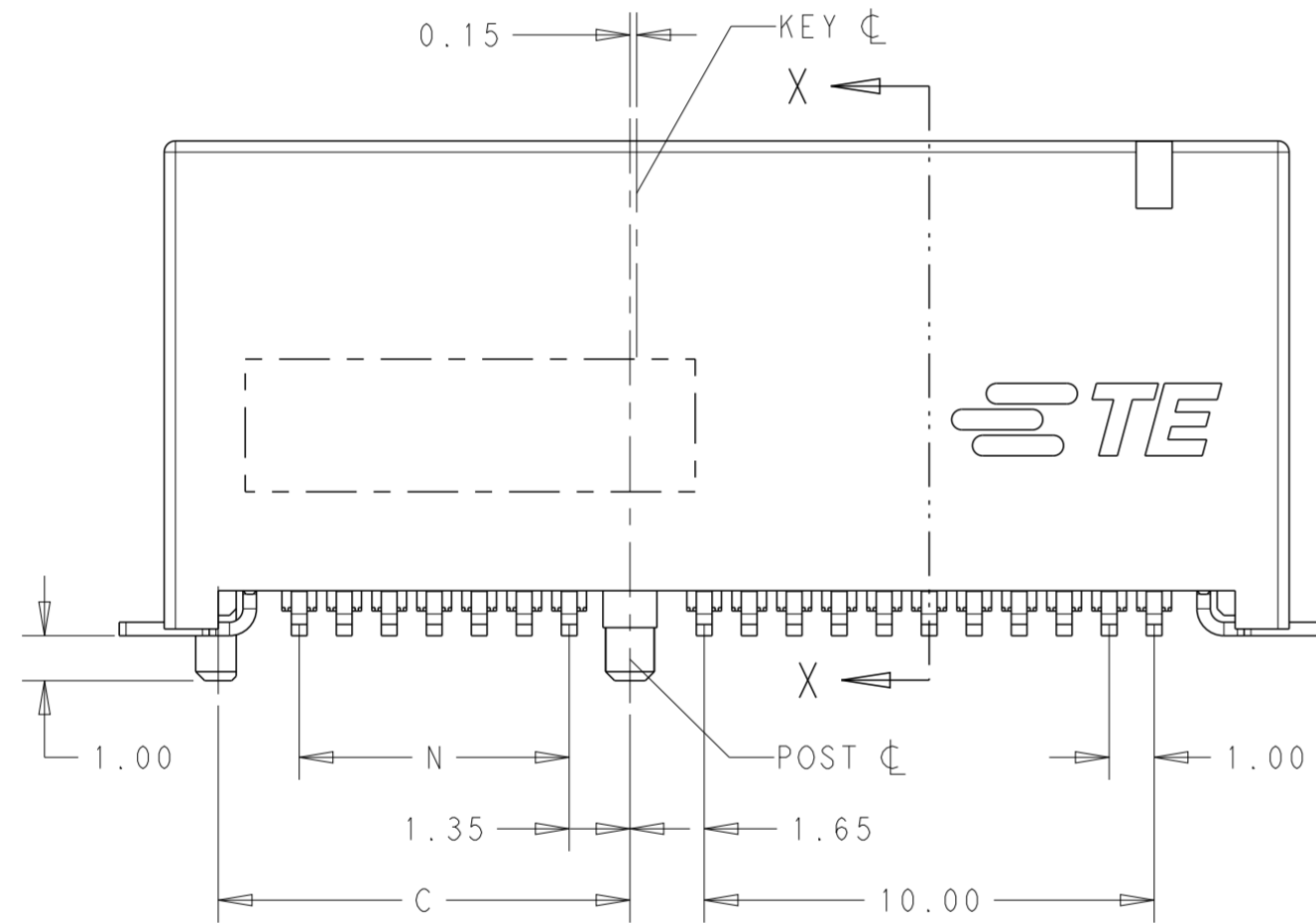
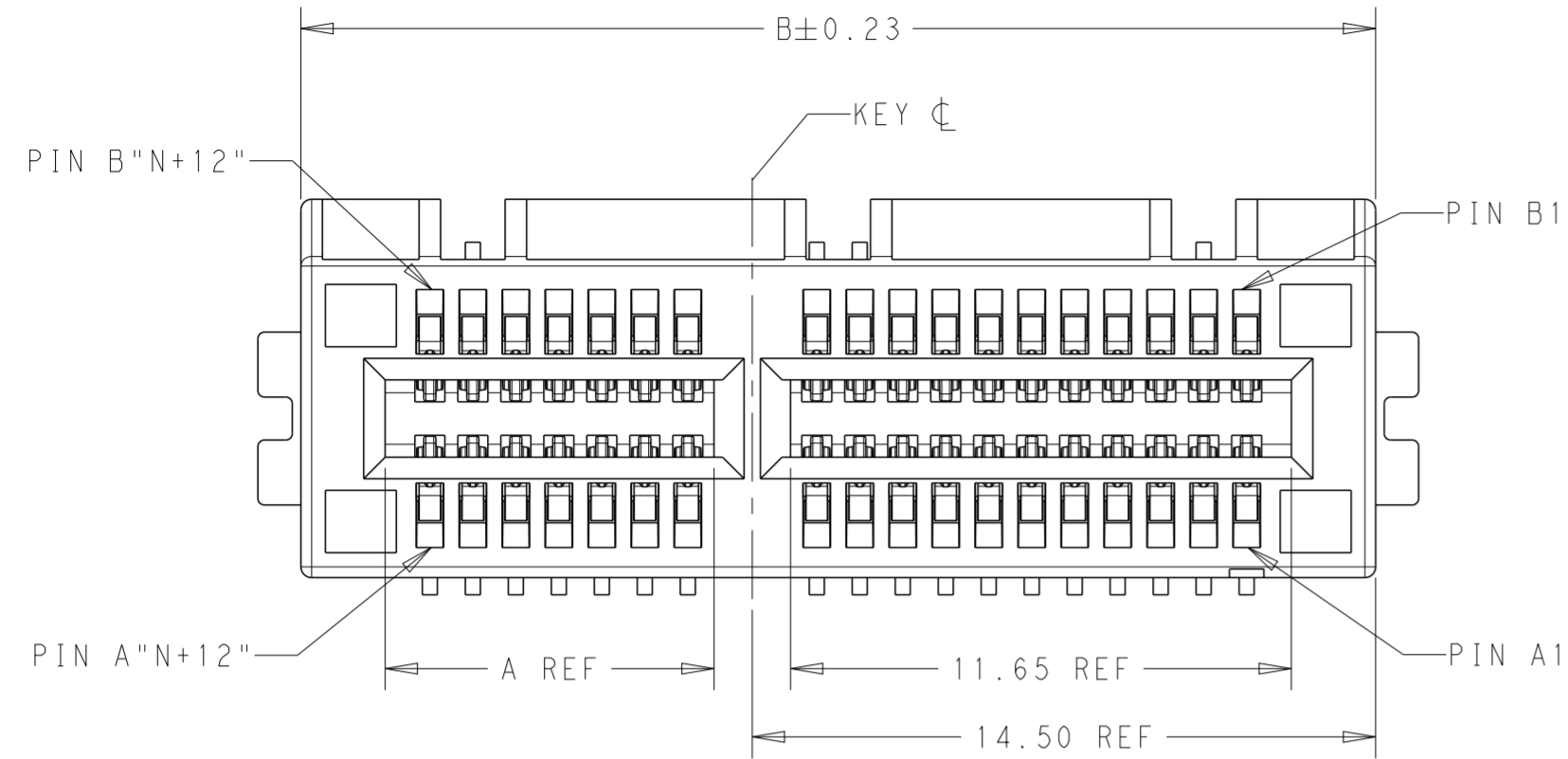


THIS DRAWING IS UNPUBLISHED. RELEASED FOR PUBLICATION 20
 © COPYRIGHT 20 BY - ALL RIGHTS RESERVED.

REVISIONS				
P	LTR	DESCRIPTION	DATE	APVD
	F	ECR-21-119335	25JUN2022	TL HL

NOTES:

- 1 MATERIAL:
HOUSING: LCP UL94V-0; BLACK
CONTACT: COPPER ALLOY
HOLD DOWN: BRASS
- 2 FINISH:
(SEE TABLE)um GOLD PLATING ON CONTACT AREA.
2.54um MATTE-TIN PLATING ON SOLDER TAIL AREA.
1.27um NICKEL UNDERPLATING OVERALL.
- 3 PARTS WITH POS 36 ARE NOT TOOLED


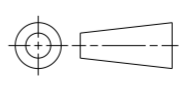


THIS DRAWING IS A CONTROLLED DOCUMENT.		DWN FRED LIU 12JUN2018	TE Connectivity	
		CHK HOPE LU 12JUN2018		
DIMENSIONS: mm		APVD HOPE LU 12JUN2018	NAME PCI EXPRESS CARD EDGE CONNECTOR	
TOLERANCES UNLESS OTHERWISE SPECIFIED: 0 PLC \pm - 1 PLC \pm 0.3 2 PLC \pm 0.20 3 PLC \pm 0.050 4 PLC \pm - ANGLES \pm - FINISH \pm -		PRODUCT SPEC -	GEN4, STANDARD VERSION	
MATERIAL - 1		APPLICATION SPEC -	SIZE A2	RESTRICTED TO -
		WEIGHT -	CAGE CODE 00779	REV F
		CUSTOMER DRAWING	DRAWING NO C-2337939	
		SCALE 3:1	SHEET 1 OF 6	

THIS DRAWING IS UNPUBLISHED. RELEASED FOR PUBLICATION 20
 © COPYRIGHT 20 BY - ALL RIGHTS RESERVED.

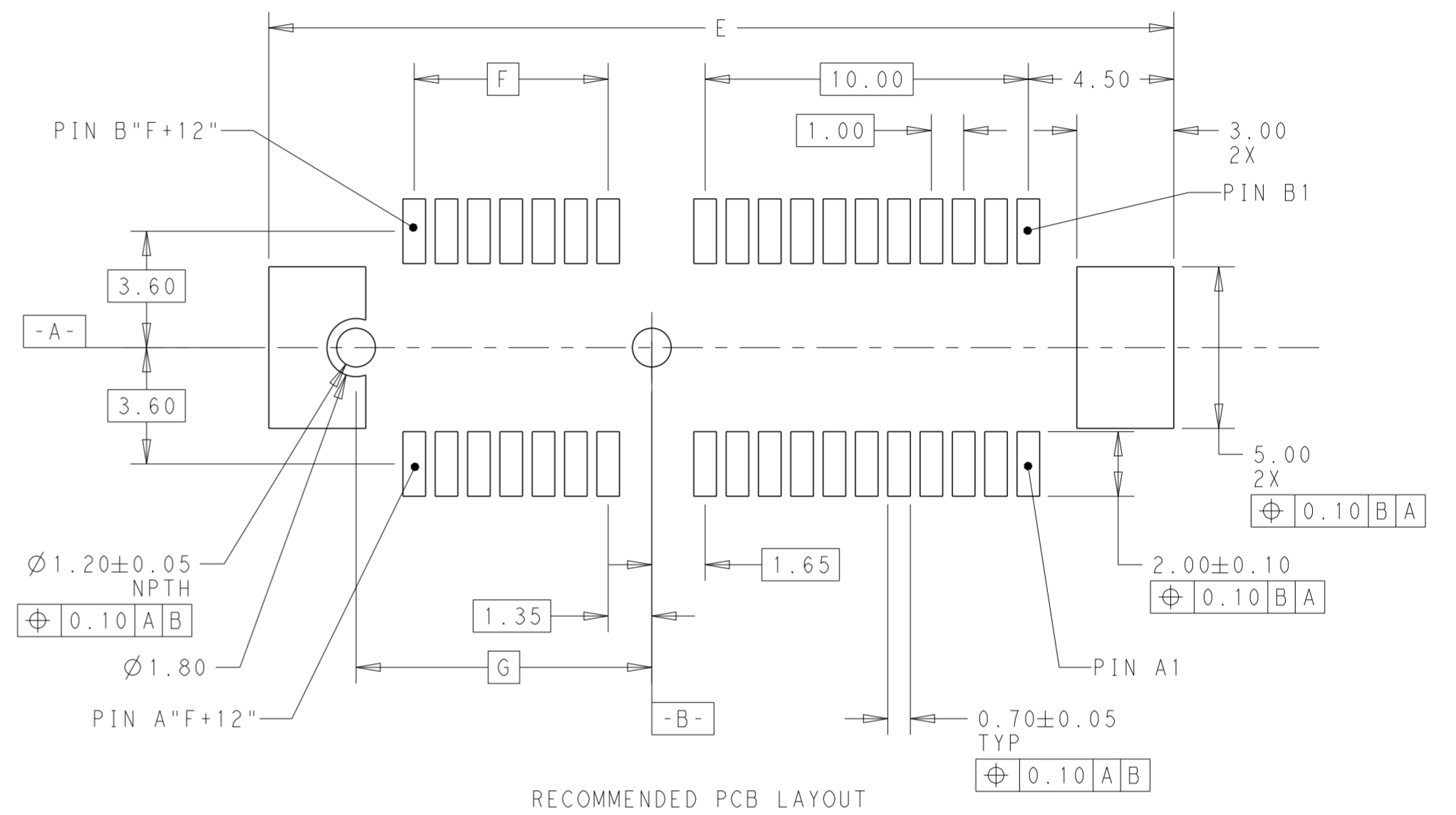
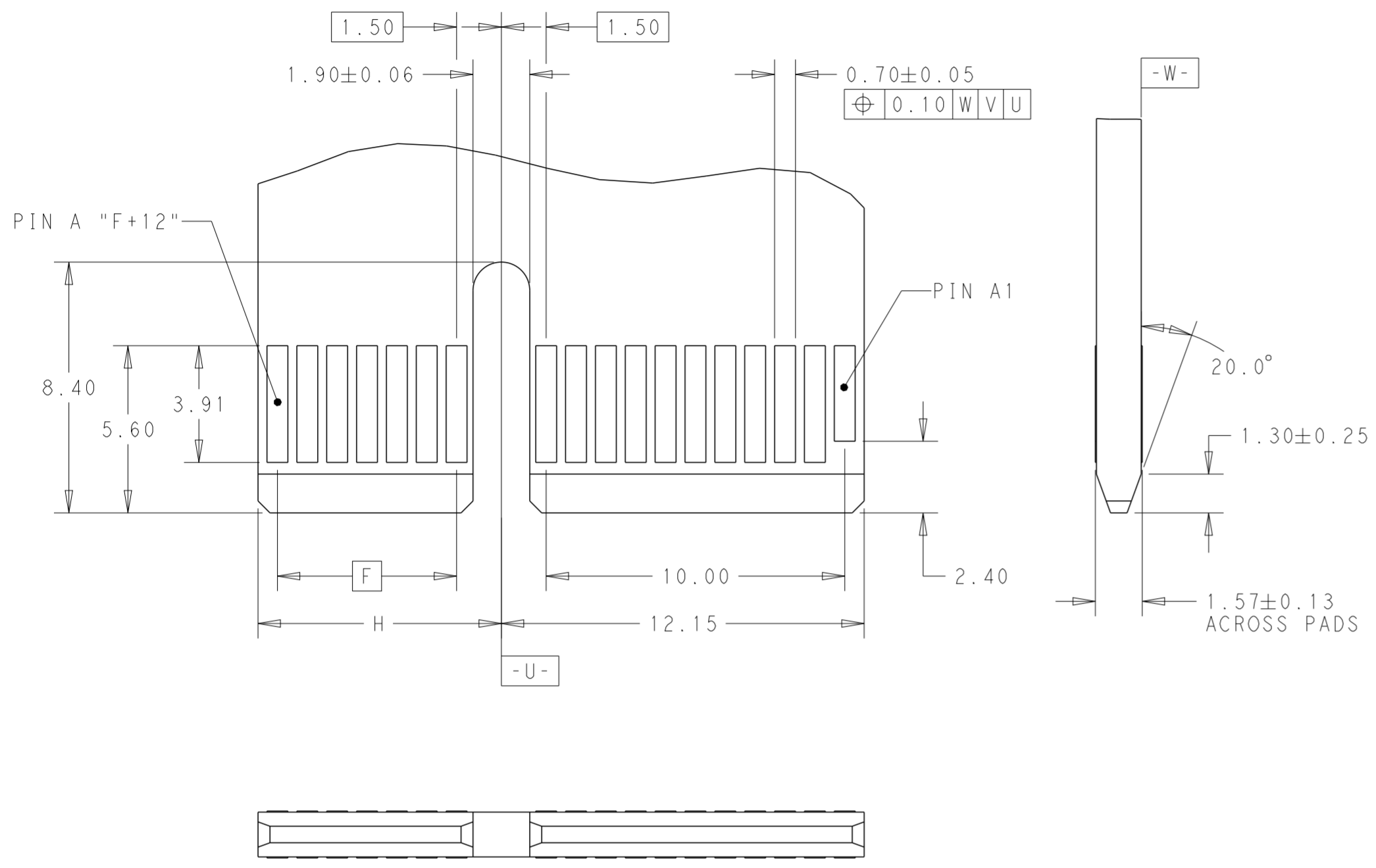
REVISIONS					
P	LTR	DESCRIPTION	DATE	DWN	APVD
-	-	SEE SHEET 1	-	-	-

PACKAGE	PRODUCT SPEC	GOLD PLATING	W	V	J	D	N	C	B	A	POS.	PART NUMBER
PACKAGE 2	108-60121	30u"	45.0	8.0	44.5	91	70	73.15	89	71.65	164	7-2337939-4
PACKAGE 1		30u"	86.5		44.5	91	70	73.15	89	71.65	164	5-2337939-8
PACKAGE 4		30u"	53.5		28	58	37	40.15	56	38.65	98	5-2337939-7
PACKAGE 3		30u"	36.5		19.5	41	20	23.15	39	21.65	64	5-2337939-6
NA		30u"	22.5		12.5	27	6	9.15	25	7.65	36	5-2337939-5
PACKAGE 1		30u"	10.0		44.5	91	70	73.15	89	71.65	164	5-2337939-4
PACKAGE 4		30u"	10.0		28	58	37	40.15	56	38.65	98	5-2337939-3
PACKAGE 3		30u"	10.0		19.5	41	20	23.15	39	21.65	64	5-2337939-2
NA		30u"	10.0		12.5	27	6	9.15	25	7.65	36	5-2337939-1
PACKAGE 1		108-60121-1	15u"		86.5	44.5	91	70	73.15	89	71.65	164
PACKAGE 4	15u"		53.5	28	58	37	40.15	56	38.65	98	4-2337939-7	
PACKAGE 3	15u"		36.5	19.5	41	20	23.15	39	21.65	64	4-2337939-6	
NA	15u"		22.5	12.5	27	6	9.15	25	7.65	36	4-2337939-5	
PACKAGE 1	15u"		10.0	44.5	91	70	73.15	89	71.65	164	4-2337939-4	
PACKAGE 4	15u"		10.0	28	58	37	40.15	56	38.65	98	4-2337939-3	
PACKAGE 3	15u"		10.0	19.5	41	20	23.15	39	21.65	64	4-2337939-2	
NA	15u"		10.0	12.5	27	6	9.15	25	7.65	36	4-2337939-1	
PACKAGE 1	G/F		86.5	44.5	91	70	73.15	89	71.65	164	3-2337939-8	
PACKAGE 4	G/F		53.5	28	58	37	40.15	56	38.65	98	3-2337939-7	
PACKAGE 3	G/F	36.5	19.5	41	20	23.15	39	21.65	64	3-2337939-6		
NA	G/F	22.5	12.5	27	6	9.15	25	7.65	36	3-2337939-5		
PACKAGE 1	G/F	10.0	44.5	91	70	73.15	89	71.65	164	3-2337939-4		
PACKAGE 4	G/F	10.0	28	58	37	40.15	56	38.65	98	3-2337939-3		
PACKAGE 3	G/F	10.0	19.5	41	20	23.15	39	21.65	64	3-2337939-2		
NA	G/F	10.0	12.5	27	6	9.15	25	7.65	36	3-2337939-1		
PACKAGE 2	108-60121	30u"	NA	44.5	91	70	73.15	89	71.65	164	2-2337939-5	
PACKAGE 1		30u"	NA	44.5	91	70	73.15	89	71.65	164	2-2337939-4	
PACKAGE 4		30u"	NA	28	58	37	40.15	56	38.65	98	2-2337939-3	
PACKAGE 3		30u"	NA	19.5	41	20	23.15	39	21.65	64	2-2337939-2	
NA	30u"	NA	12.5	27	6	9.15	25	7.65	36	2-2337939-1		
PACKAGE 1	108-60121-1	15u"	NA	44.5	91	70	73.15	89	71.65	164	6-2337939-4	
PACKAGE 4		15u"	NA	28	58	37	40.15	56	38.65	98	6-2337939-3	
PACKAGE 3		15u"	NA	19.5	41	20	23.15	39	21.65	64	6-2337939-2	
NA		15u"	NA	12.5	27	6	9.15	25	7.65	36	6-2337939-1	
PACKAGE 1		G/F	NA	44.5	91	70	73.15	89	71.65	164	2337939-4	
PACKAGE 4		G/F	NA	28	58	37	40.15	56	38.65	98	2337939-3	
PACKAGE 3		G/F	NA	19.5	41	20	23.15	39	21.65	64	2337939-2	
NA	G/F	NA	12.5	27	6	9.15	25	7.65	36	2337939-1		

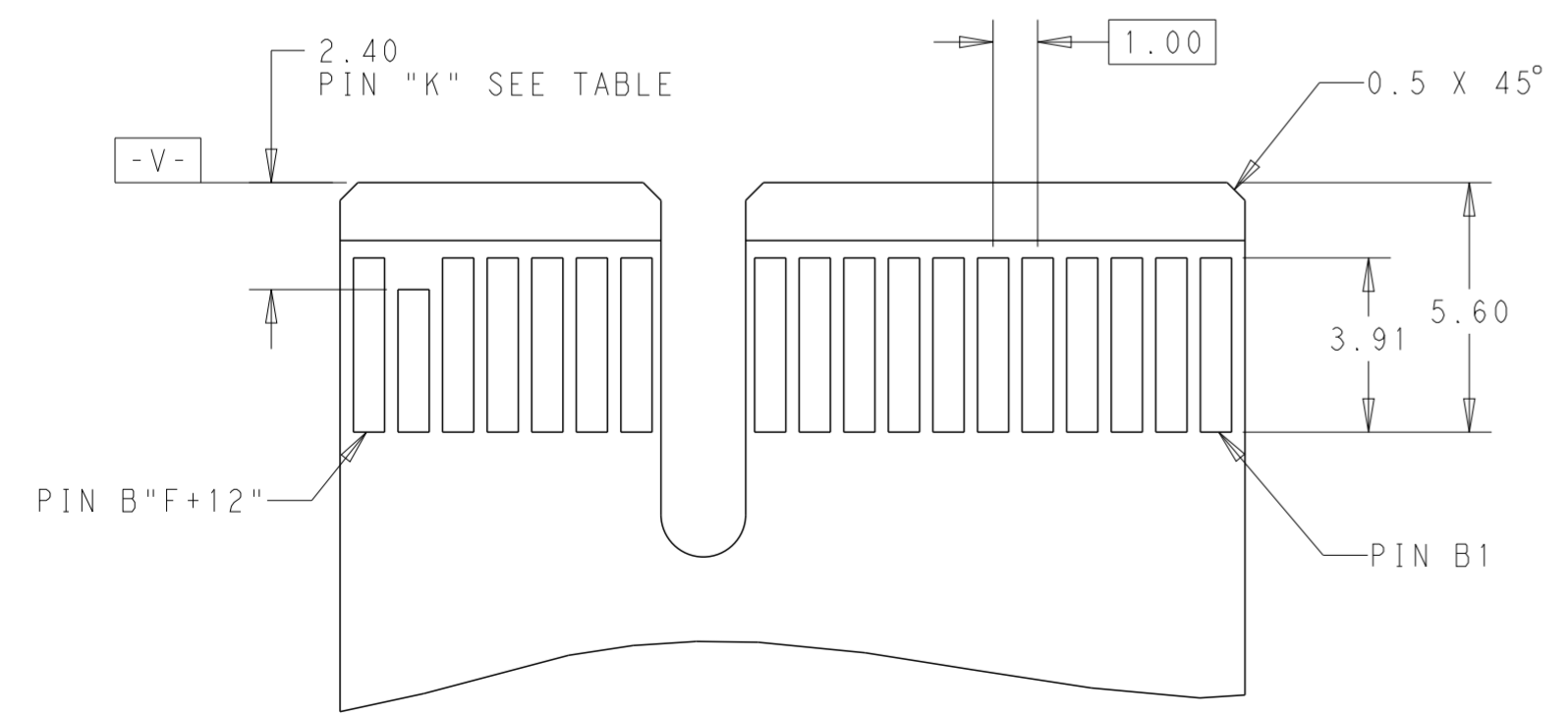
THIS DRAWING IS A CONTROLLED DOCUMENT.		DWN FRED LIU 12JUN2018	 TE Connectivity NAME PCI EXPRESS CARD EDGE CONNECTOR GEN4 , STANDARD VERSION
DIMENSIONS: mm		CHK HOPE LU 12JUN2018	
		APVD HOPE LU 12JUN2018	
TOLERANCES UNLESS OTHERWISE SPECIFIED: 0 PLC ± 1 PLC ±0.3 2 PLC ±0.20 3 PLC ±0.050 4 PLC ± ANGLES ± FINISH		PRODUCT SPEC APPLICATION SPEC WEIGHT	
MATERIAL	-	CUSTOMER DRAWING	SIZE A2 CAGE CODE 00779 DRAWING NO C-2337939 RESTRICTED TO - SCALE 3:1 SHEET 2 OF 6 REV F

THIS DRAWING IS UNPUBLISHED. RELEASED FOR PUBLICATION 20
 © COPYRIGHT 20 BY - ALL RIGHTS RESERVED.

REVISIONS					
P	LTR	DESCRIPTION	DATE	DWN	APVD
-	-	SEE SHEET 1	-	-	-



RECOMMENDED PCB LAYOUT



ADD-IN CARD EDGE-FINGER DIMENSION

POS.	DIM. E	DIM. F	DIM. G	DIM. H	"K"
164	92.00	70	73.15	72.15	A1,B17,B31,B48,B81
98	59.00	37	40.15	39.15	A1,B17,B31,B48
64	42.00	20	23.15	22.15	A1,B17,B31
36	28.00	6	9.15	8.15	A1,B17

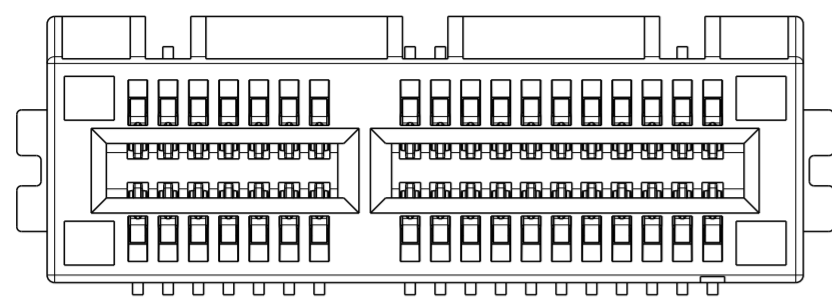
THIS DRAWING IS A CONTROLLED DOCUMENT.

DWN FRED LIU 12JUN2018	TE Connectivity PCI EXPRESS CARD EDGE CONNECTOR GEN4, STANDARD VERSION					
CHK HOPE LU 12JUN2018						
APVD HOPE LU 12JUN2018						
NAME						
DIMENSIONS: mm	TOLERANCES UNLESS OTHERWISE SPECIFIED:	PRODUCT SPEC	SIZE	CAGE CODE	DRAWING NO	RESTRICTED TO
0 PLC ±	1 PLC ±0.3	-	A2	00779	C-2337939	-
2 PLC ±0.20	3 PLC ±0.050	APPLICATION SPEC	SCALE	SHEET	OF	REV
4 PLC ±	ANGLES ±	-	3:1	3	6	F
MATERIAL	FINISH	WEIGHT	CUSTOMER DRAWING			
-	-	-				

THIS DRAWING IS UNPUBLISHED. RELEASED FOR PUBLICATION 20
 © COPYRIGHT 20 BY - ALL RIGHTS RESERVED.

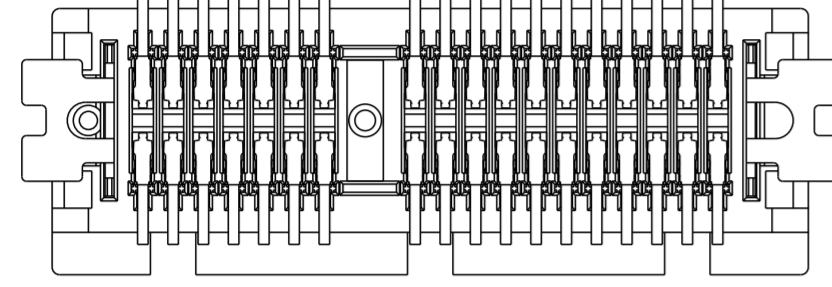
REVISIONS					
P	LTR	DESCRIPTION	DATE	DWN	APVD
-	-	SEE SHEET 1	-	-	-

FRONT VIEW

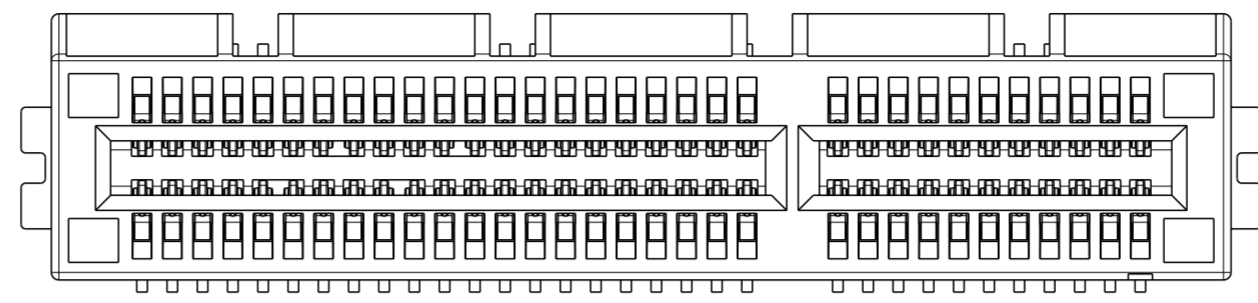


36POS AS SHOWN

REAR VIEW

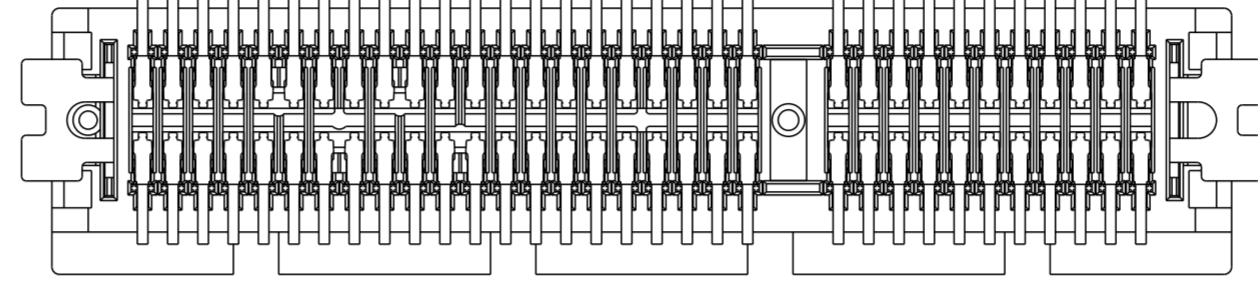


FRONT VIEW

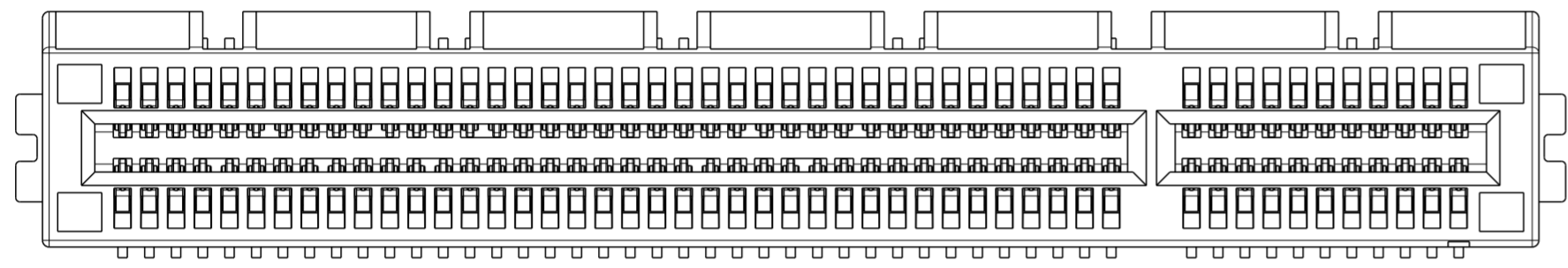


64POS AS SHOWN

REAR VIEW

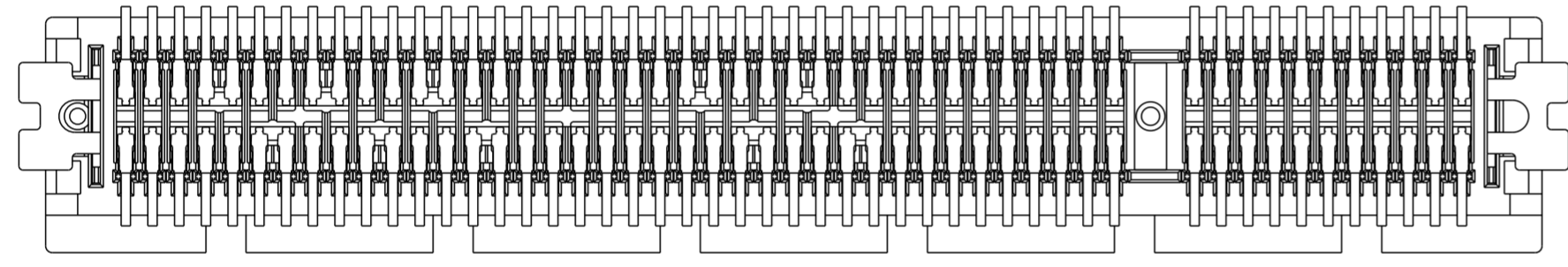


FRONT VIEW

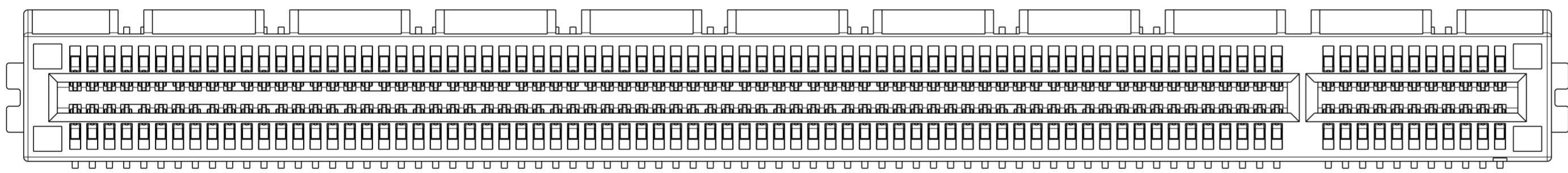


98POS AS SHOWN

REAR VIEW

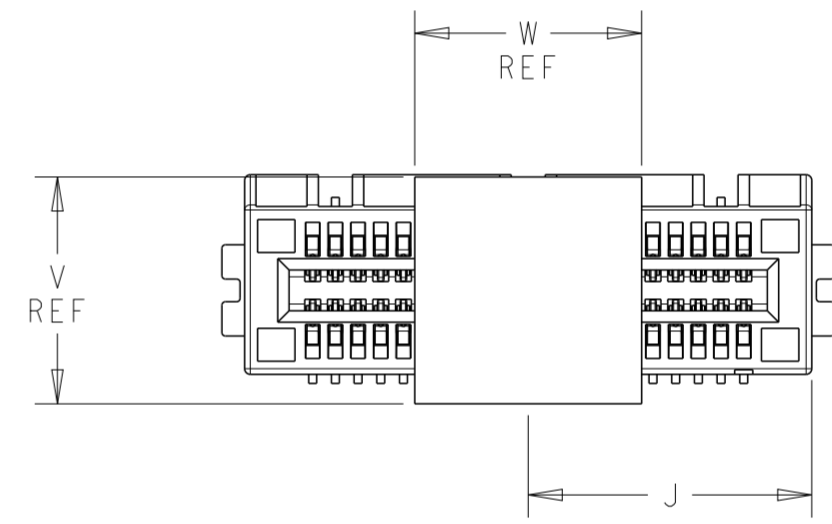
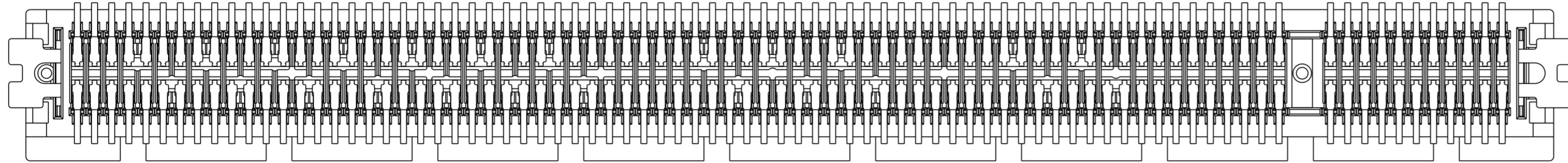


FRONT VIEW




164POS AS SHOWN

REAR VIEW

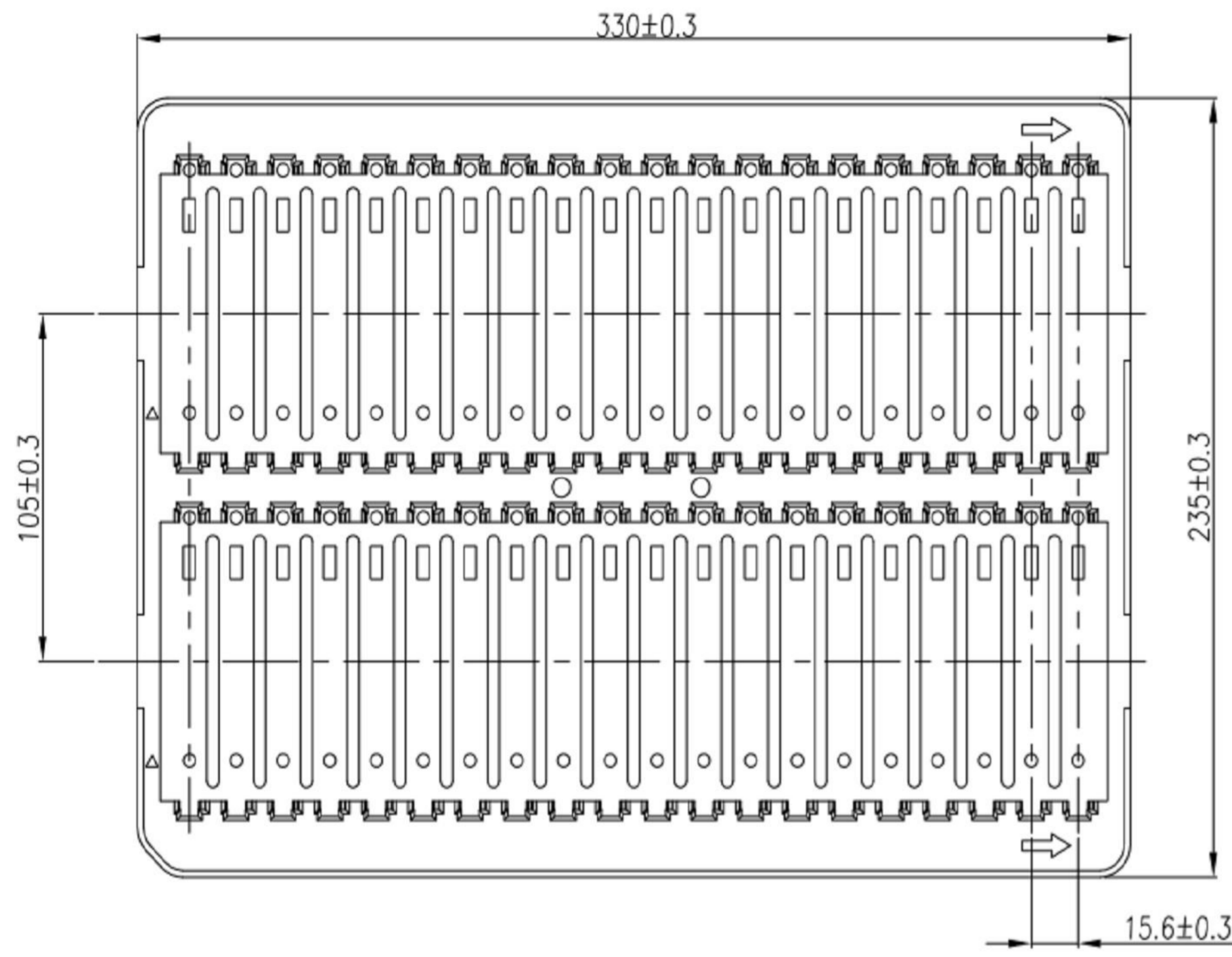


MYLAR SIZE

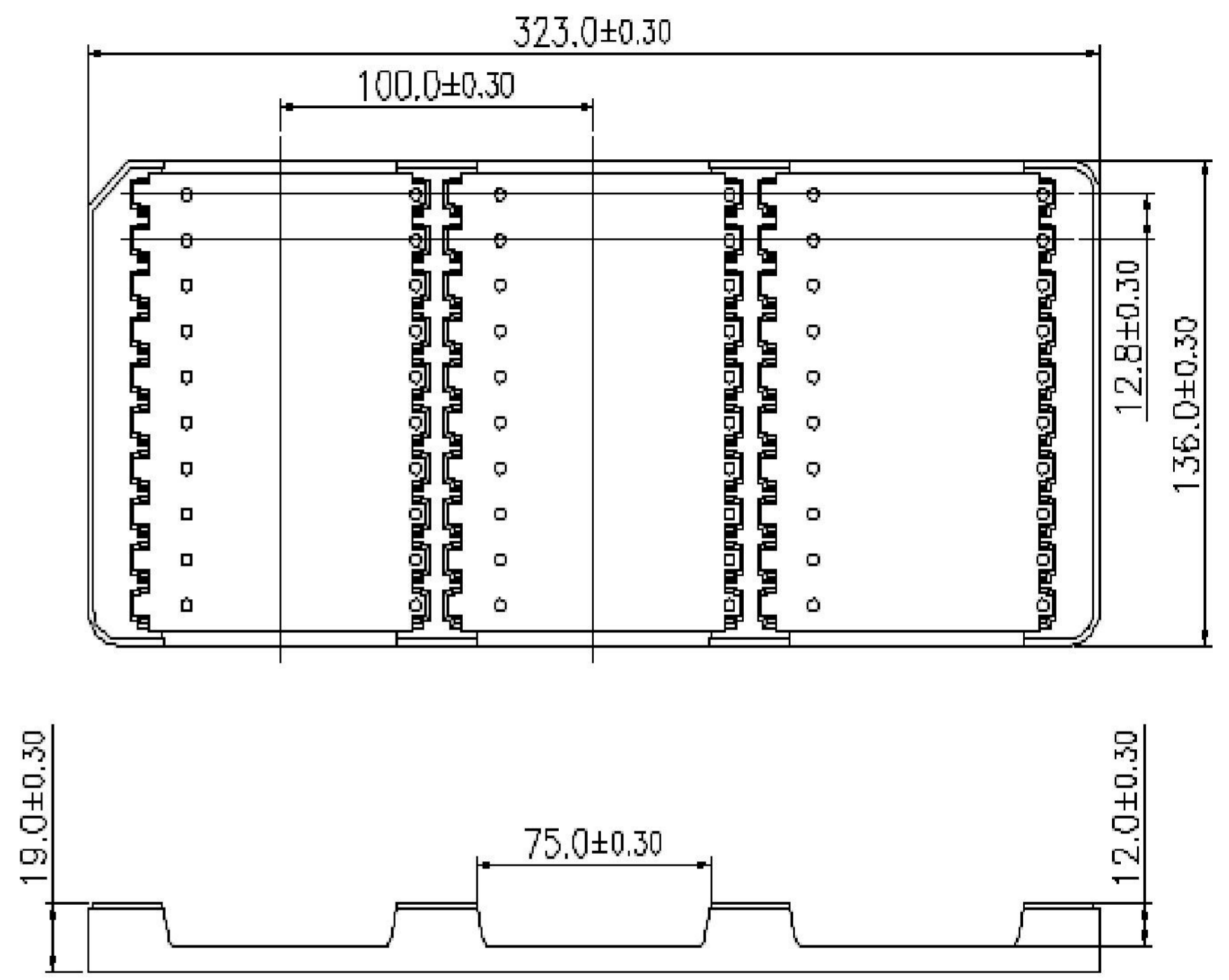
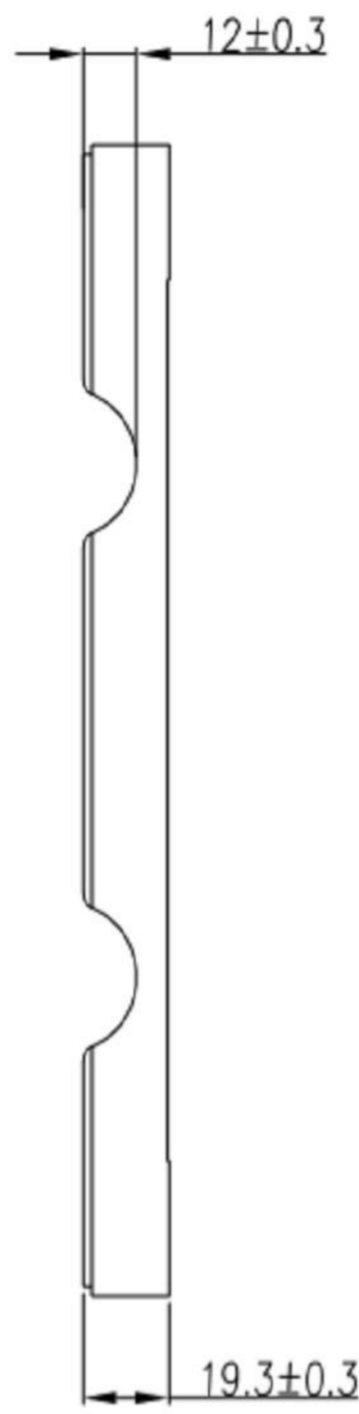
THIS DRAWING IS A CONTROLLED DOCUMENT.		DWN FRED LIU 12JUN2018	 TE Connectivity																							
DIMENSIONS: mm		CHK HOPE LU 12JUN2018																								
TOLERANCES UNLESS OTHERWISE SPECIFIED:		APVD HOPE LU 12JUN2018	NAME PCI EXPRESS CARD EDGE CONNECTOR																							
<table border="0"> <tr> <td>0 PLC</td> <td>±</td> <td>-</td> </tr> <tr> <td>1 PLC</td> <td>±0.3</td> <td>-</td> </tr> <tr> <td>2 PLC</td> <td>±0.20</td> <td>-</td> </tr> <tr> <td>3 PLC</td> <td>±0.050</td> <td>-</td> </tr> <tr> <td>4 PLC</td> <td>±</td> <td>-</td> </tr> <tr> <td>ANGLES</td> <td>±</td> <td>-</td> </tr> <tr> <td>FINISH</td> <td>±</td> <td>-</td> </tr> </table>		0 PLC	±	-	1 PLC	±0.3	-	2 PLC	±0.20	-	3 PLC	±0.050	-	4 PLC	±	-	ANGLES	±	-	FINISH	±	-	PRODUCT SPEC -	GEN4 , STANDARD VERSION		
0 PLC	±	-																								
1 PLC	±0.3	-																								
2 PLC	±0.20	-																								
3 PLC	±0.050	-																								
4 PLC	±	-																								
ANGLES	±	-																								
FINISH	±	-																								
MATERIAL -		APPLICATION SPEC -	SIZE A2	CAGE CODE 00779	DRAWING NO C-2337939																					
-		WEIGHT -	RESTRICTED TO -		SCALE 3:1																					
-		CUSTOMER DRAWING	SHEET 4 OF 6		REV F																					

THIS DRAWING IS UNPUBLISHED. RELEASED FOR PUBLICATION 20
 © COPYRIGHT 20 BY - ALL RIGHTS RESERVED.


REVISIONS				
P	LTR	DESCRIPTION	DATE	APVD
-	-	SEE SHEET 1	-	-



PACKAGE 1

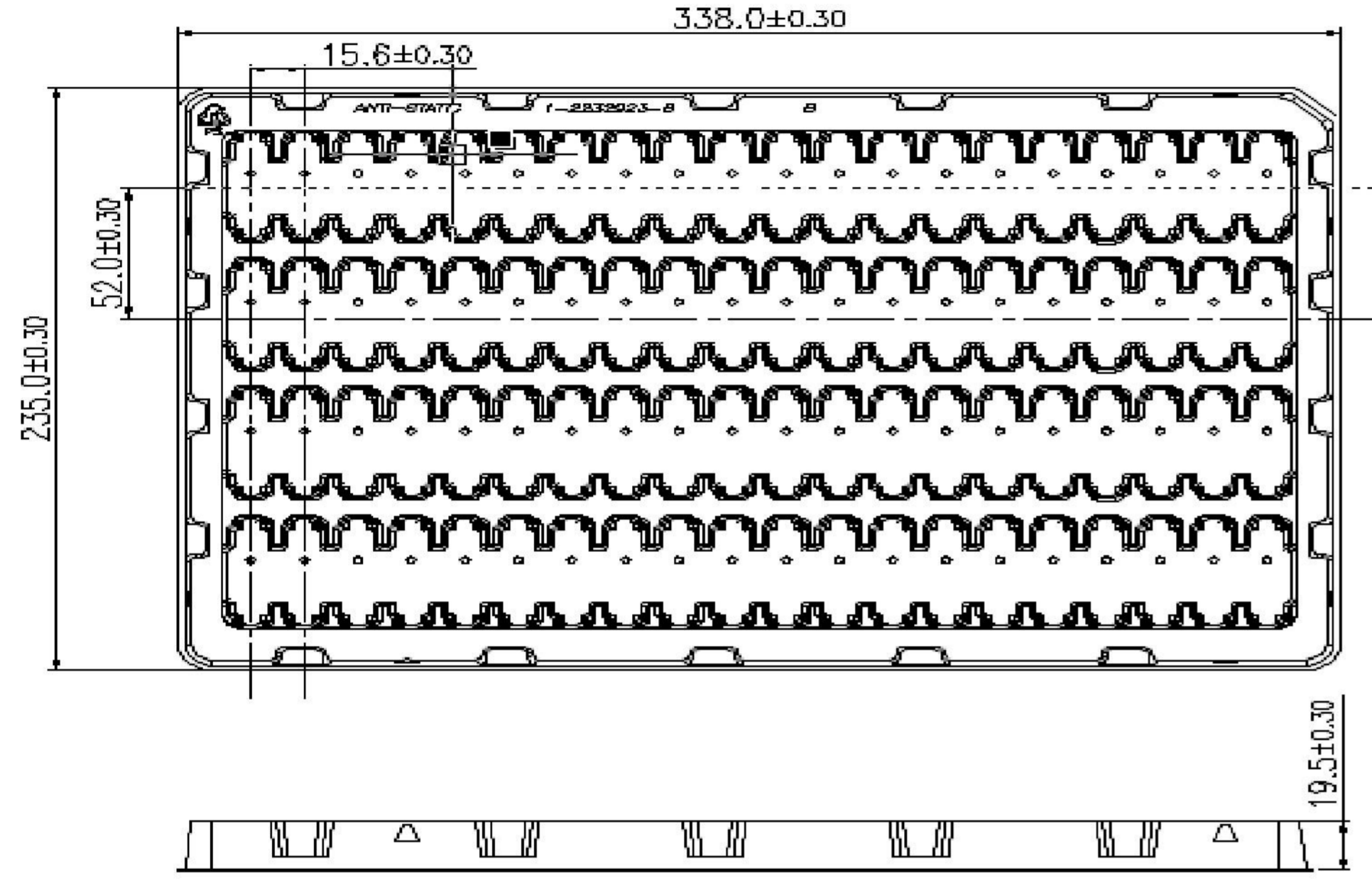


PACKAGE 2

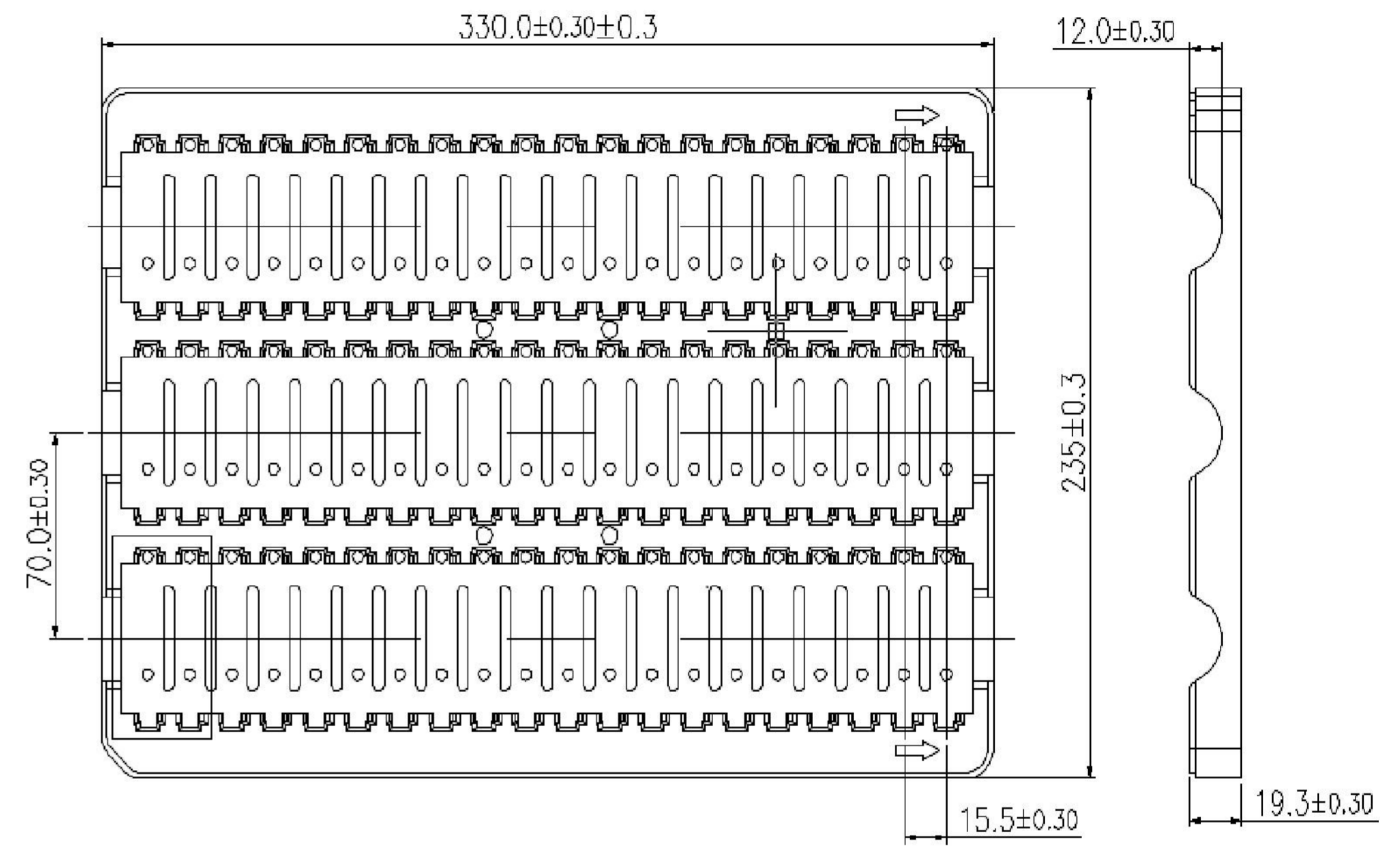
THIS DRAWING IS A CONTROLLED DOCUMENT.		DWN FRED LIU 12JUN2018	 TE Connectivity
DIMENSIONS: mm		CHK HOPE LU 12JUN2018	
TOLERANCES UNLESS OTHERWISE SPECIFIED:		APVD HOPE LU 12JUN2018	
0 PLC ± 1 PLC ±0.3 2 PLC ±0.20 3 PLC ±0.050 4 PLC ± ANGLES ± FINISH ±		NAME PCI EXPRESS CARD EDGE CONNECTOR GEN4, STANDARD VERSION	
MATERIAL	-	PRODUCT SPEC -	SIZE A2
		APPLICATION SPEC -	CAGE CODE 00779
		WEIGHT -	DRAWING NO C-2337939
		CUSTOMER DRAWING	RESTRICTED TO -
		SCALE 3:1	SHEET 5 OF 6
			REV F

THIS DRAWING IS UNPUBLISHED. RELEASED FOR PUBLICATION 20
 © COPYRIGHT 20 BY - ALL RIGHTS RESERVED.


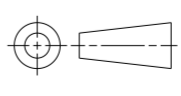
REVISIONS				
P	LTR	DESCRIPTION	DATE	APVD
-	-	SEE SHEET 1	-	-



PACKAGE 3



PACKAGE 4

THIS DRAWING IS A CONTROLLED DOCUMENT.		DWN FRED LIU 12 JUN 2018	 TE Connectivity NAME PCI EXPRESS CARD EDGE CONNECTOR GEN4 , STANDARD VERSION	
DIMENSIONS:		CHK HOPE LU 12 JUN 2018		
mm		APVD HOPE LU 12 JUN 2018		
		PRODUCT SPEC		
TOLERANCES UNLESS OTHERWISE SPECIFIED:		APPLICATION SPEC	SIZE	RESTRICTED TO
0 PLC	±	WEIGHT	A200779	-
1 PLC	±0.3	CUSTOMER DRAWING	CAGE CODE	SCALE
2 PLC	±0.20	SCALE	C-2337939	3:1
3 PLC	±0.050	SCALE	6 OF 6	SHEET
4 PLC	±	SCALE	6 OF 6	REV
ANGLES	±	SCALE	6 OF 6	F
FINISH	-	SCALE	6 OF 6	F

Mouser Electronics

Authorized Distributor

Click to View Pricing, Inventory, Delivery & Lifecycle Information:

[TE Connectivity:](#)

[5-2337939-6](#) [5-2337939-8](#) [5-2337939-4](#)