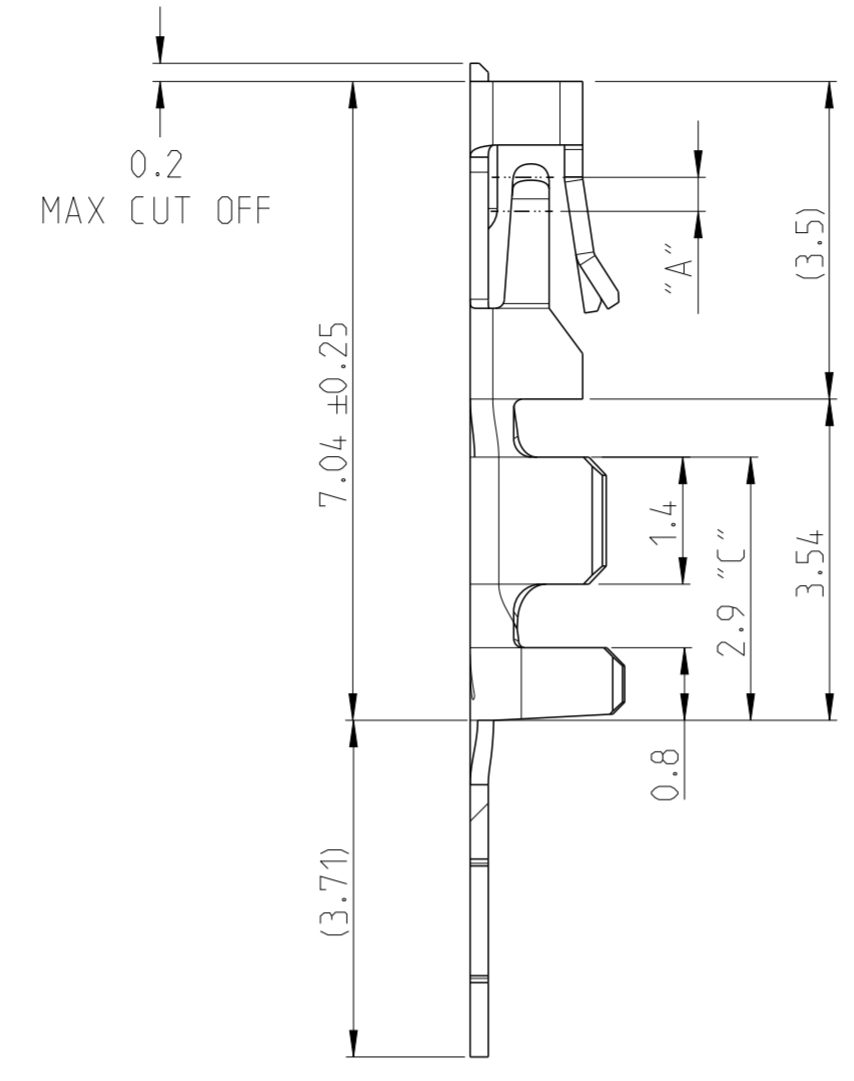
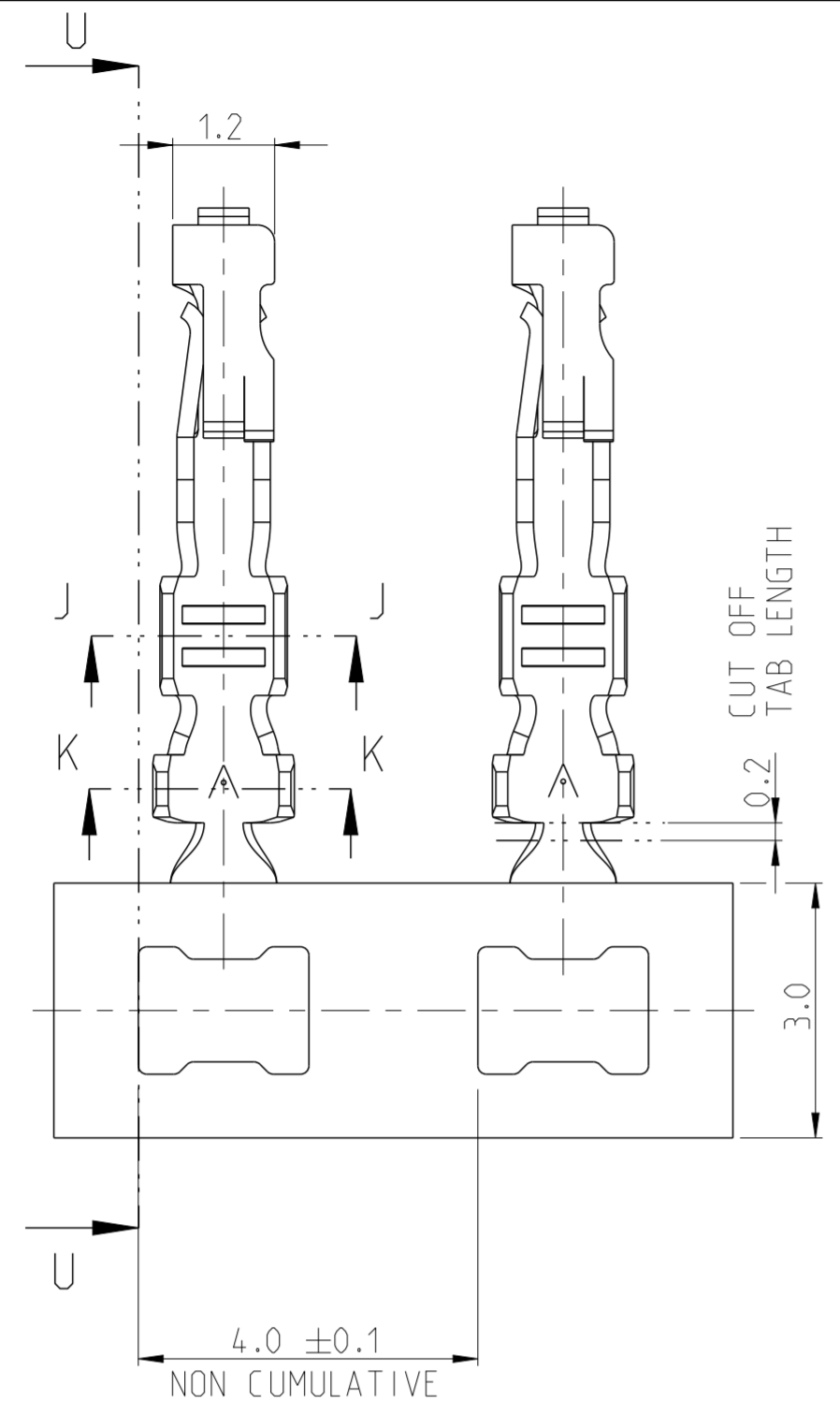
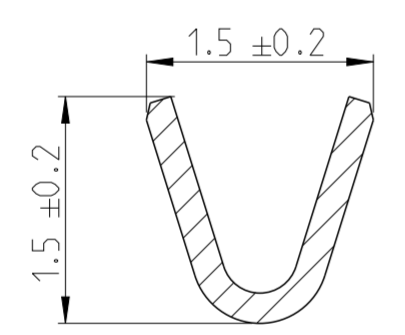


THIS DRAWING IS UNPUBLISHED. RELEASED FOR PUBLICATION  
 © COPYRIGHT 2017 TE Connectivity ALL RIGHTS RESERVED.

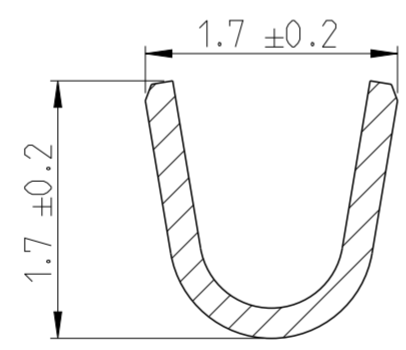
REVISIONS				
P	LTR	DESCRIPTION	DATE	APVD
	A	RELEASE TO PRODUCTION	18 JUN 2020	AY PS



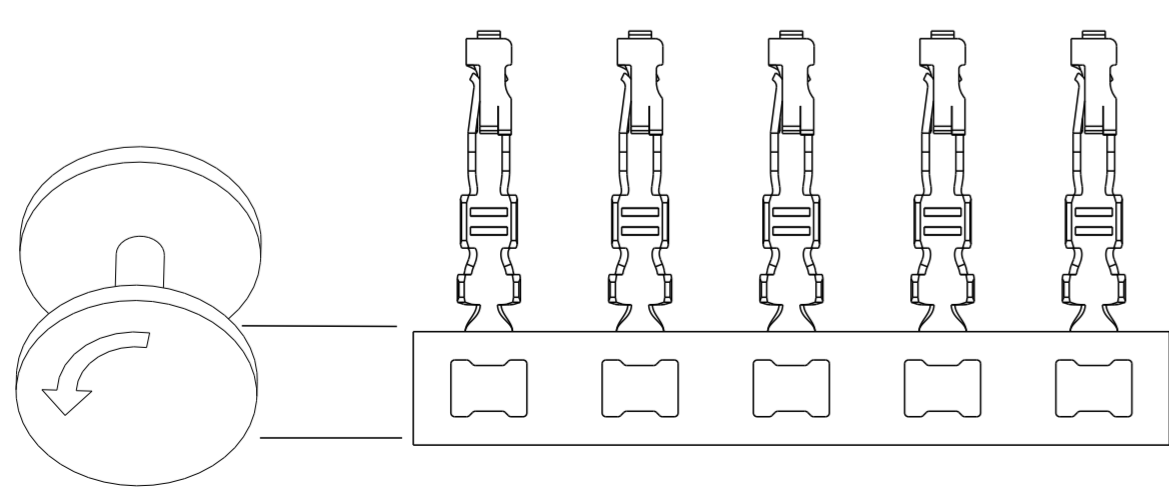
SECTION U-U



SECTION J-J  
20:1



SECTION K-K  
20:1



WIRE RANGE: 0.08-0.22 mm<sup>2</sup> (28-24 AWG)  
 INSULATION RANGE: Ø1.0mm MAX

- NOTES:
- 1 MATERIAL: PHOSPHOR BRONZE, 0.2mm THICK
  - 2 FINISH: 1.27-2.54 µm TIN ALL OVER UNDERPLATE 1.27 µm MIN NICKEL ALL OVER
  - 3 CONTACT AREA "A": MIN 0.1 µm THK GOLD CRIMP AREA "C" : 1.27 - 2.54 µm THK TIN UNDERPLATE 1.27 µm MIN NICKEL ALL OVER
  - 4 CONTACT AREA "A" : MIN 0.38 µm THK GOLD CRIMP AREA "C" : 1.27 - 2.54 µm THK TIN UNDERPLATE 1.27 µm MIN NICKEL ALL OVER
  - 5 CONTACT AREA "A" : MIN 0.76 µm THK GOLD CRIMP AREA "C" : 1.27 - 2.54 µm THK TIN UNDERPLATE 1.27 µm MIN NICKEL ALL OVER
  - 6. APPLICABLE HOUSINGS :  
 SINGLE ROW : 2316102  
 DUAL ROW : 2316108, 2316109

5	-	5-2316113-6	LOOSE PIECE - HANDTOOL
5	30,000	5-2316113-5	FOR OCEAN APPLICATOR
4	-	4-2316113-5	LOOSE PIECE - HANDTOOL
4	30,000	4-2316113-4	FOR OCEAN APPLICATOR
3	-	3-2316113-4	LOOSE PIECE - HANDTOOL
3	30,000	3-2316113-3	FOR OCEAN APPLICATOR
2	-	2-2316113-3	LOOSE PIECE - HANDTOOL
2	30,000	2-2316113-2	FOR OCEAN APPLICATOR
FINISH	QTY PER REEL	PART NUMBER	TOOLING

THIS DRAWING IS A CONTROLLED DOCUMENT.		DWN SOURAV DAS 29 OCT 2017
DIMENSIONS: mm		CHK RAKSHITH NAYAK 29 OCT 2017
TOLERANCES UNLESS OTHERWISE SPECIFIED:		APVD PRASHANTH S 11 DEC 2017
0 PLC	±	PRODUCT SPEC
1 PLC	±0.15	APPLICATION SPEC
2 PLC	±0.1	114-32173
3 PLC	±	WEIGHT
4 PLC	±	CUSTOMER DRAWING
ANGLES	±2°	
FINISH	-	
MATERIAL	SEE NOTE	
	-	

29 OCT 2017  
 29 OCT 2017  
 11 DEC 2017

**STE** TE Connectivity

NAME: AMPMODU 2mm RECEPTACLE, wTB CRIMP CONTACT, AWG 28-24

APPLICATION SPEC: 108-64040-1

SIZE: A2 CAGE CODE: 00779 DRAWING NO: 2316113 RESTRICTED TO: -

SCALE: 12:1 SHEET: 1 OF 1 REV: A

# Mouser Electronics

Authorized Distributor

Click to View Pricing, Inventory, Delivery & Lifecycle Information:

[TE Connectivity:](#)

[5-2316113-6](#)