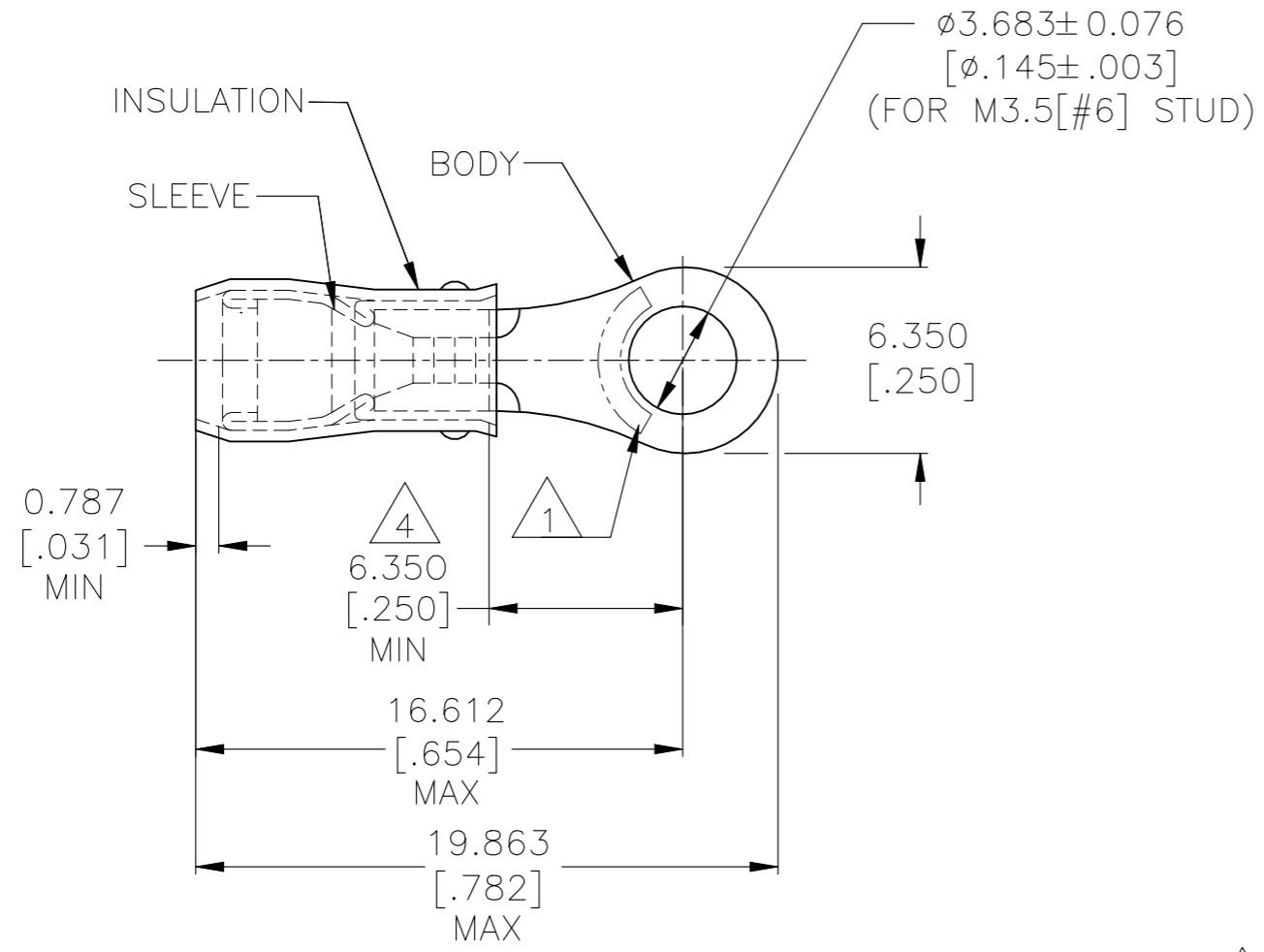


THIS DRAWING IS UNPUBLISHED. RELEASED FOR PUBLICATION
 © COPYRIGHT - By - ALL RIGHTS RESERVED.


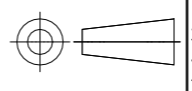

REVISIONS				
P	LTR	DESCRIPTION	DATE	APVD
	AA4	REVISED PER ECN-22-156403	03JUN2022	RK CSD

AMP WIRE RANGE	 Listed FILE E13288	 LR7189 Certified
22-16 AWG SOLID OR STRANDED	22-16 AWG STRANDED	22-16 AWG SOLID OR STRANDED



- 1 STAMP AMP 22-18* APPROX AS SHOWN
22-16 TERMINALS ARE STAMPED 22-18 IN
ACCORDANCE WITH MILITARY SPEC SAE- AS7928
COMMERCIAL WIRE RANGE IS 22-16.
- 2 WIRE INSULATION: ø2.032-3.175[ø.080-.125].
- 3 BODY MATERIAL THK: 0.787±0.051[.031±.002].
- 4 DIMENSION APPLIES FROM EDGE OF METAL
WIRE BARREL TO CENTER OF STUD HOLE.
- 5 BODY & SLEEVE - COPPER PER ASTM B-152
INSULATION - NYLON.
- 6 BODY & SLEEVE - TIN PLATE PER ASTM B545,
0.00254[.000100] MIN EXT THK
INSULATION - COLOR, RED.
- 7 UL LISTED.
- 8 CSA CERTIFIED.

MILITARY P/N AND CLASS	QTY	PACKAGE TYPE	PART NUMBER
MS25036-102 CLASS 1	1000	LOOSE PIECE	51863
--	100	LOOSE PIECE, BOX	7-51863-1
--	5000	ON TAPE, REEL	51863-1

AMP INCORPORATED CUSTOMER SERVICE SYSTEMS		MAX RECOMMENDED OPERATING TEMPERATURE: 105°C[221°F] MAX	THIS DRAWING IS A CONTROLLED DOCUMENT.		DWN DK SCHRUM 9/8/93	 TE Connectivity			
FOR ADDITIONAL PRODUCT INFORMATION OR COPIES OF DRAWINGS AND TECHNICAL DOCUMENTS	PRODUCT INFORMATION CENTER 1-800-522-6752	VOLTAGE RATING: 300V MAX	DIMENSIONS: mm [INCHES]	TOLERANCES UNLESS OTHERWISE SPECIFIED: 0 PLC ± - 1 PLC ± - 2 PLC ± - 3 PLC ± 0.127[.005] 4 PLC ± - ± - ANGLES ± -	CHK RE HERSEY 9/8/93				NAME M BARNABA
FOR APPLICATION TOOLING INFORMATION	TOOLING ASSISTANCE CENTER 1-800-722-1111	CIRCULAR MIL AREA: 0.26-1.65mm²[509-3260]CIR MILS SOLID OR STRANDED		FINISH	APVD M BARNABA 9/8/93	PRODUCT SPEC UL 486 A-B			
FOR ORDER ENTRY	1-800-526-5142	THIS DRAWING IS A CONTROLLED DOCUMENT FOR AMP INCORPORATED. IT IS SUBJECT TO CHANGE AND THE CONTROLLING ENGINEERING ORGANIZATION SHOULD BE CONTACTED FOR THE LATEST REVISION.	MATERIAL		APPLICATION SPEC 114-2157	SIZE A3	CAGE CODE 00779	DRAWING NO C-51863	RESTRICTED TO -
CUSTOMER DRAWING					WEIGHT -	SCALE NTS	SHEET 1 OF 2	REV AA4	

THIS DRAWING IS UNPUBLISHED.

RELEASED FOR PUBLICATION

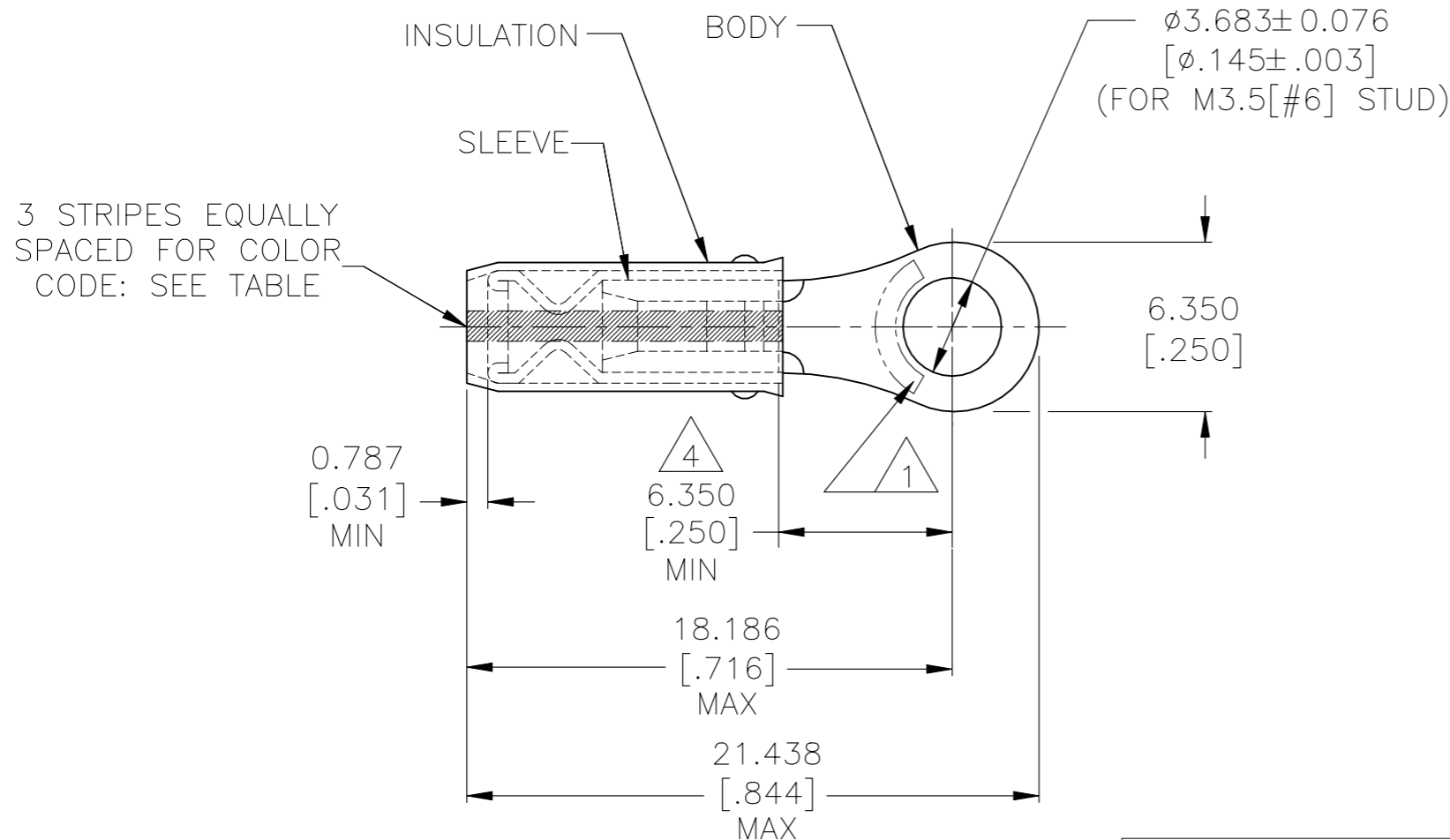
ALL RIGHTS RESERVED.

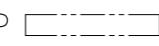
© COPYRIGHT - By -

REVISIONS


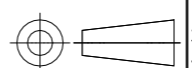


P	LTR	DESCRIPTION	DATE	DWN	APVD
-	-	SEE SHEET 1	-	-	-

AMP WIRE RANGE	 LR 7189 Certified
SEE TABLE STRANDED	WIRE SIZE PER TABLE STRANDED



- 1 STAMP AMP  APPROX AS SHOWN SEE TABLE BELOW.
- 2 WIRE INSULATION : $\phi 0.965-2.794[\phi 0.038-.110]$ FOR 22 AWG
 $\phi 1.168-2.794[\phi 0.046-.110]$ FOR 20 AWG
 $\phi 1.422-2.794[\phi 0.056-.110]$ FOR 18 AWG.
- 3 BODY MATERIAL THK: $0.787 \pm 0.051[.031 \pm .002]$.
- 4 DIMENSION APPLIES FROM EDGE OF METAL WIRE BARREL TO CENTER OF STUD HOLE.
- 5 BODY & SLEEVE - COPPER PER ASTM B-152 INSULATION - NYLON.
- 6 BODY & SLEEVE - TIN PLATE PER ASTM B545, $0.00254[.000100]$ MIN EXT. THK INSULATION - COLOR - RED.
- 7 NOTE DELETED
- 8 CSA CERTIFIED.

8	MILITARY P/N AND CLASS	STRIPE COLOR	1	WIRE SIZE	QTY	PACKAGE TYPE	PART NO.
8	--	WHITE	18*	18	5000	ON TAPE, REEL	51863-7
8	--	GREEN	22*	22	5000	ON TAPE, REEL	51863-5
8	M7928/1-31 CLASS 1	WHITE	18*	18	1000	LOOSE PIECE	51863-4
8	M7928/1-22 CLASS 1	RED	20*	20	1000	LOOSE PIECE	51863-3
8	M7928/1-13 CLASS 1	GREEN	22*	22	1000	LOOSE PIECE	51863-2

AMP INCORPORATED CUSTOMER SERVICE SYSTEMS		MAX RECOMMENDED OPERATING TEMPERATURE: 105°C[221°F] MAX	THIS DRAWING IS A CONTROLLED DOCUMENT.		DWN DK SCHRUM 9/8/93	 TE Connectivity			
FOR ADDITIONAL PRODUCT INFORMATION OR COPIES OF DRAWINGS AND TECHNICAL DOCUMENTS	PRODUCT INFORMATION CENTER 1-800-522-6752	VOLTAGE RATING: 300V MAX	DIMENSIONS: mm [INCHES]	TOLERANCES UNLESS OTHERWISE SPECIFIED:	CHK RE HERSEY 9/8/93				NAME M BARNABA
FOR APPLICATION TOOLING INFORMATION	TOOLING ASSISTANCE CENTER 1-800-722-1111	CIRCULAR MIL AREA: 0.26-1.65mm²[509-3260]CIR MILS SOLID OR STRANDED		0 PLC ± - 1 PLC ± - 2 PLC ± - 3 PLC ± 0.127[.005] 4 PLC ± - ANGLES ± -	APVD M BARNABA 9/8/93	PRODUCT SPEC -			
FOR ORDER ENTRY	1-800-526-5142	THIS DRAWING IS A CONTROLLED DOCUMENT FOR AMP INCORPORATED. IT IS SUBJECT TO CHANGE AND THE CONTROLLING ENGINEERING ORGANIZATION SHOULD BE CONTACTED FOR THE LATEST REVISION.	MATERIAL 	FINISH 	APPLICATION SPEC 114-2157	SIZE A3	CAGE CODE 00779	DRAWING NO C-51863	RESTRICTED TO -
					WEIGHT -	SCALE NTS		SHEET 2 OF 2	REV AA4

Mouser Electronics

Authorized Distributor

Click to View Pricing, Inventory, Delivery & Lifecycle Information:

[TE Connectivity:](#)

[51863](#) [MS25036-102](#)