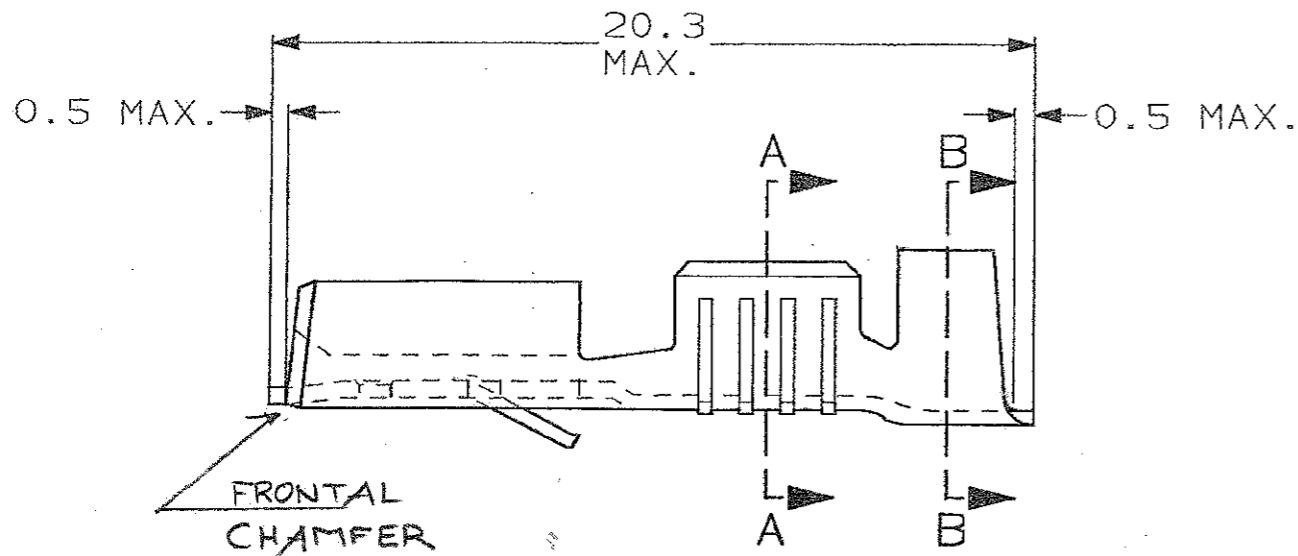


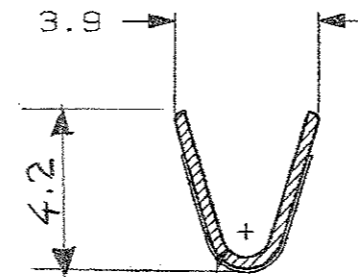
SCALA NON IMPEGNATIVA  
(DO NOT SCALE)  
DIMENSIONI IN mm  
(DIMENSIONS IN mm)

**METRIC**

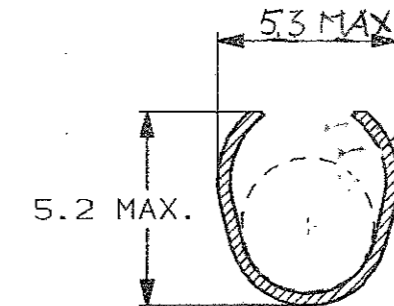
THIRD ANGLE  
PROJECTION



SECTION A-A



SECTION B-B



1) FOR STRIP VERSION SEE DW/G. 160446

	TIN PLATE	PHOS. BRONZE	6-160447-6	R
	SILVER PLATE	BRASS	5-160447-6	R
	TIN PLATE	BRASS	5-160447-5	R
	PLAIN	BRASS	5-160447-4	R
	SILVER PLATE	PHOS. BRONZE	5-160447-3	R
	TIN PLATE	PHOS. BRONZE	5-160447-2	R
	PLAIN	PHOS. BRONZE	5-160447-1	R
NOTE	FINISH/COLOUR	MATERIAL	AMP P/N	REV

CUSTOMER DWG. FOR REFERENCE ONLY		DISEGNO PER CLIENTE SOLO PER RIFERIMENTO	
THIS DRAWING IS UNPUBLISHED		RELEASE FOR PUBLICATION	
© COPYRIGHT 19 BY AMP INCORPORATED, HARRISBURG, PA. ALL INTERNATIONAL RIGHTS RESERVED. AMP PRODUCTS MAY BE COVERED BY U.S. AND FOREIGN PATENT AND/OR PATENT PENDING			
TOLLERANZE, SE NON DIVERSAMENTE SPECIFICATO (TOLERANCES, UNLESS OTHERWISE SPECIFIED)	DIAM. ISOLANTE (INS. DIA. RANGE)	RANGO FILO (WIRE RANGE)	SCALA (SCALE)
± 0.3	3.5 MAX	1.0-2.5	5:1
ANGOLI (ANGLES)	AMP ITALIA S.p.A. Corso F.lli Cervi, 15 COLLENO (TORINO)		
DIS. H. YAALI	DESCRIZIONE (DESCRIPTION) FASTIN-FASTON <sup>+</sup> Conn. 250" SR. REC. CONTACT (L.P.)		
REV. (REV.)	LOC. SIZE NUMERO (DWG NO)	REV.	FOLIO (PAGE)
R FIRST ISSUE	IA3 C-160447		1

DISTRIBUZIONE (PRINT/DIST.)

# Mouser Electronics

Authorized Distributor

Click to View Pricing, Inventory, Delivery & Lifecycle Information:

[TE Connectivity:](#)

[5-160447-2](#)