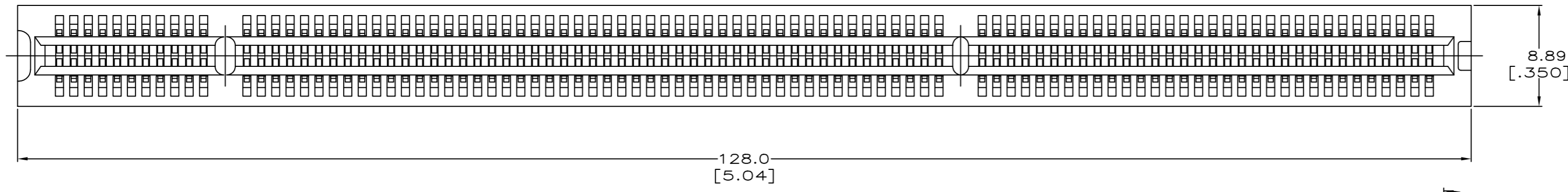
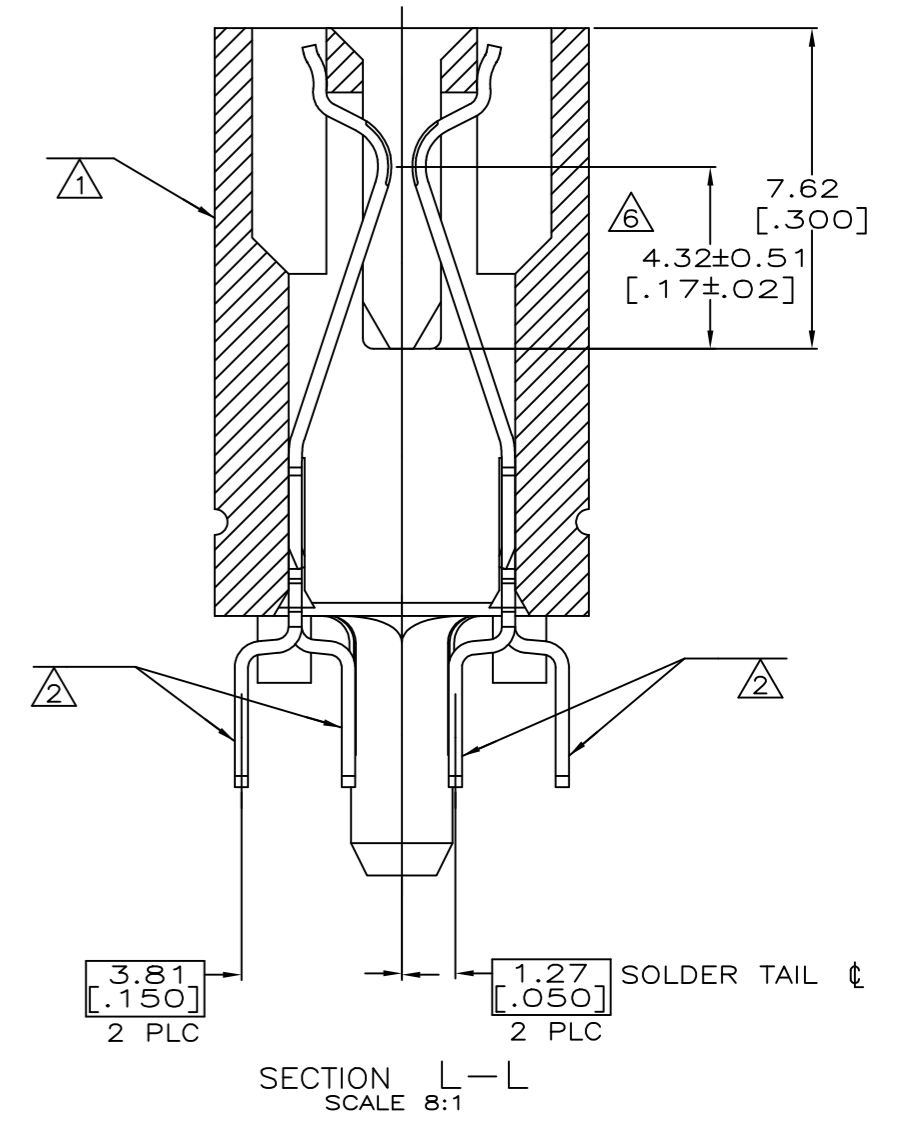
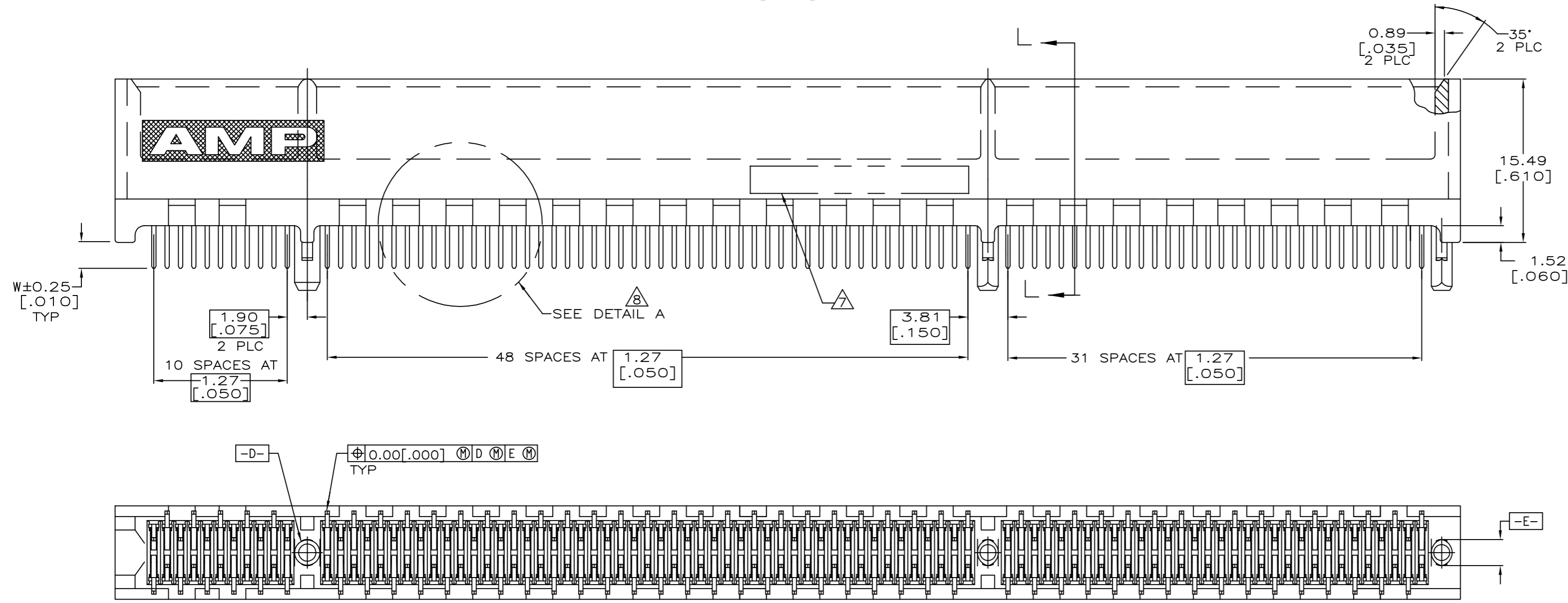


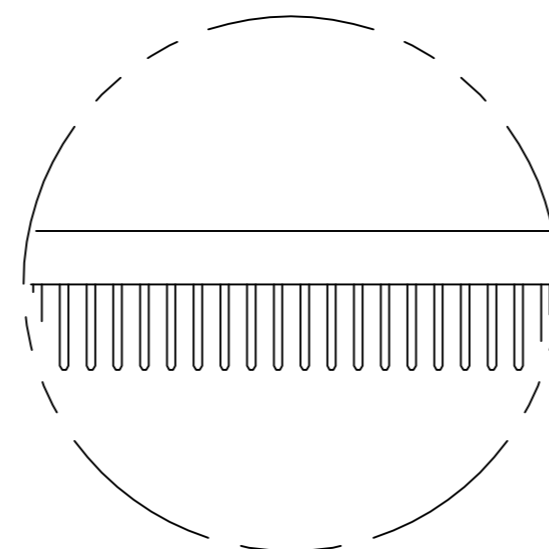
REVISIONS				
P	LTR	DESCRIPTION	DATE	DWN APVD
D		ECO-18-017215	03DEC2018	FL HL



SEE SHEET 2 FOR NOTES



SEE SHEET 2 FOR HOLE PATTERN



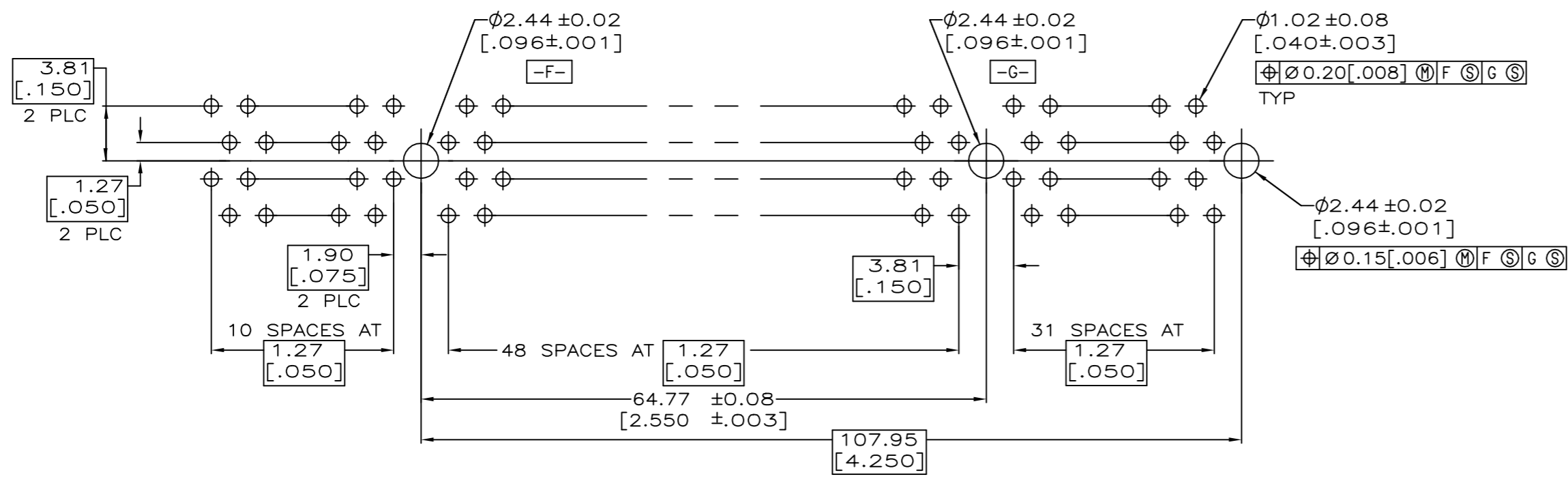
DETAIL A

3.56 [.140]	△	1-5145165-2
3.17 [.125]	△	5145165-8
2.54 [.100]	△	5145165-4
2.54 [.100]	△	5145165-2
2.54 [.100]	△	5145165-1

OBSOLETE

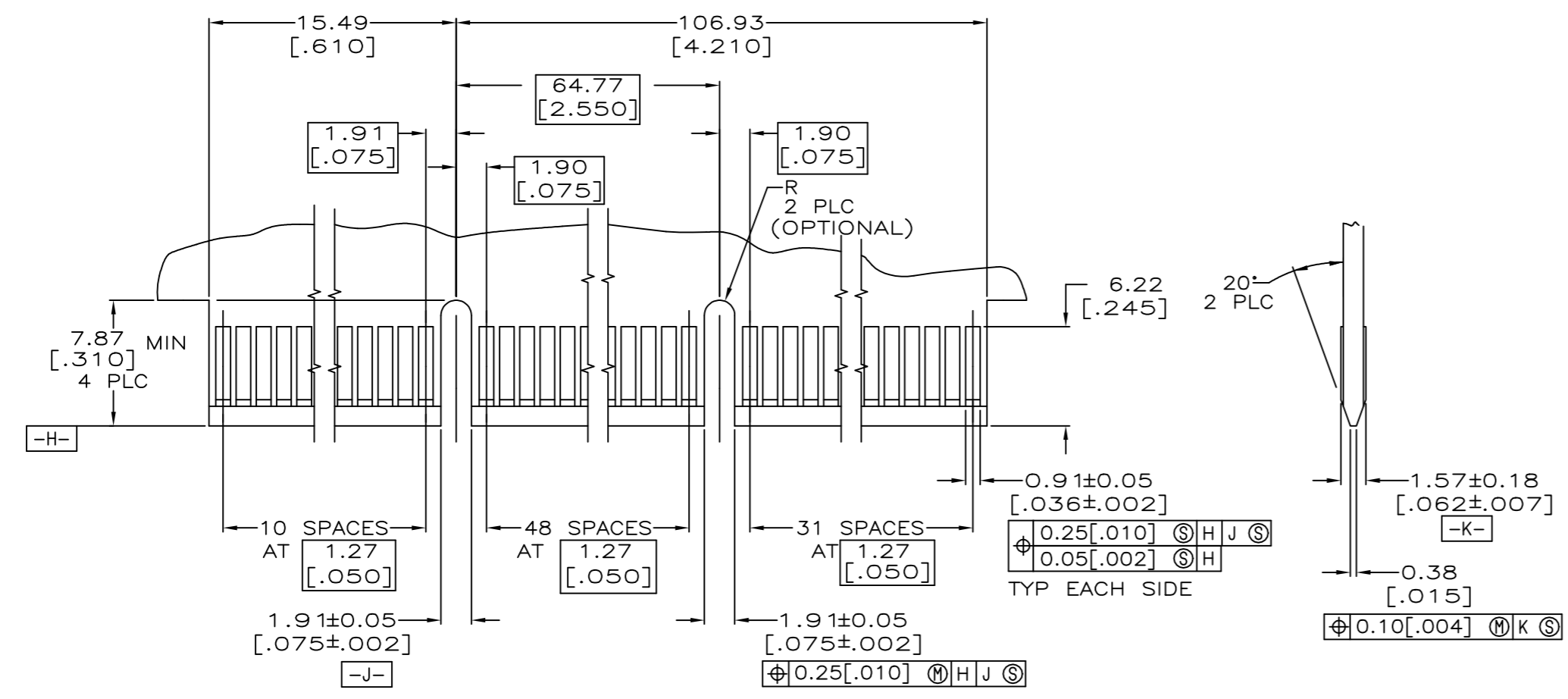
THIS DRAWING IS A CONTROLLED DOCUMENT.		DWN AL FRANTUM 04 FEB 05	TE Connectivity Ltd.	
DIMENSIONS: mm		CHK AL FRANTUM 04 FEB 05	NAME	
TOLERANCES UNLESS OTHERWISE SPECIFIED:		APVD	PRODUCT SPEC	
0 PLC ± -	1 PLC ± -	108-14034		
2 PLC ± 0.25 [31]	3 PLC ± 0.13 [005]	APPLICATION SPEC		
4 PLC ± -	ANGLES ± °	114-26012		
MATERIAL	FINISH	SIZE	CAGE CODE	DRAWING NO
△/△	△/△/△	A1	00779	5145165
CUSTOMER DRAWING		SCALE	SHEET	REV
		4:1	1	D

REVISIONS				
P	LTR	DESCRIPTION	DATE	DWN APVD
-	-	SEE SHEET 1	-	-



RECOMMENDED CONNECTOR MOUNTING HOLE PATTERN  
(CONNECTOR SIDE SHOWN)

- 1 HOUSING: HIGH TEMPERATURE THERMOPLASTIC.  
COLOR - NATURAL
- 2 CONTACT: PHOSPHOR BRONZE.
- 3 CONTACT FINISH: 0.00127[.000050] MIN NICKEL ALL OVER.  
GOLD FLASH OVER NICKEL IN CONTACT AREA.  
0.00254[.000100] MIN MATTE TIN OVER NICKEL ON SOLDER TAILS.
- 4 CONTACT FINISH: 0.00127[.000050] MIN NICKEL ALL OVER.  
0.00038[.000015] GOLD OVER NICKEL IN CONTACT AREA.  
0.00254[.000100] MIN MATTE TIN OVER NICKEL ON SOLDER TAILS.
- 5 CONTACT FINISH: 0.00127[.000050] MIN NICKEL ALL OVER.  
0.00076[.000030] GOLD OVER NICKEL IN CONTACT AREA.  
0.00254[.000100] MIN MATTE TIN OVER NICKEL ON SOLDER TAILS.
- 6 DISTANCE FROM CONTACT POINT TO BOTTOM OF CARD SLOT.
- 7 AMP PART NUMBER, DATE CODE AND CSA LOGO MARKED IN APPROXIMATE LOCATION SHOWN.
- 8 CORED OR SOLID SIDE WALLS ARE AT DISCRETION OF AMP INCORPORATED.



RECOMMENDED MATING BOARD EDGE CONFIGURATION

THIS DRAWING IS A CONTROLLED DOCUMENT.		DWN AL FRANTUM 04 FEB 05	TE Connectivity Ltd.	
DIMENSIONS: mm		CHK AL FRANTUM 04 FEB 05	NAME	
TOLERANCES UNLESS OTHERWISE SPECIFIED:		APVD	PRODUCT SPEC	
0 PLC ± -		108-14034		
1 PLC ± -		APPLICATION SPEC		
2 PLC ± 0.25 [01]		114-26012		
3 PLC ± 0.13 [005]		SIZE		
4 PLC ± -		A1		
ANGLES ± -		CAGE CODE		
FINISH		DRAWING NO		
-		00779		
MATERIAL		WEIGHT		
-		-		
CUSTOMER DRAWING		SCALE 4:1		
		SHEET 2 OF 2		
		REV D		

# Mouser Electronics

Authorized Distributor

Click to View Pricing, Inventory, Delivery & Lifecycle Information:

[TE Connectivity:](#)

[5145165-8](#)