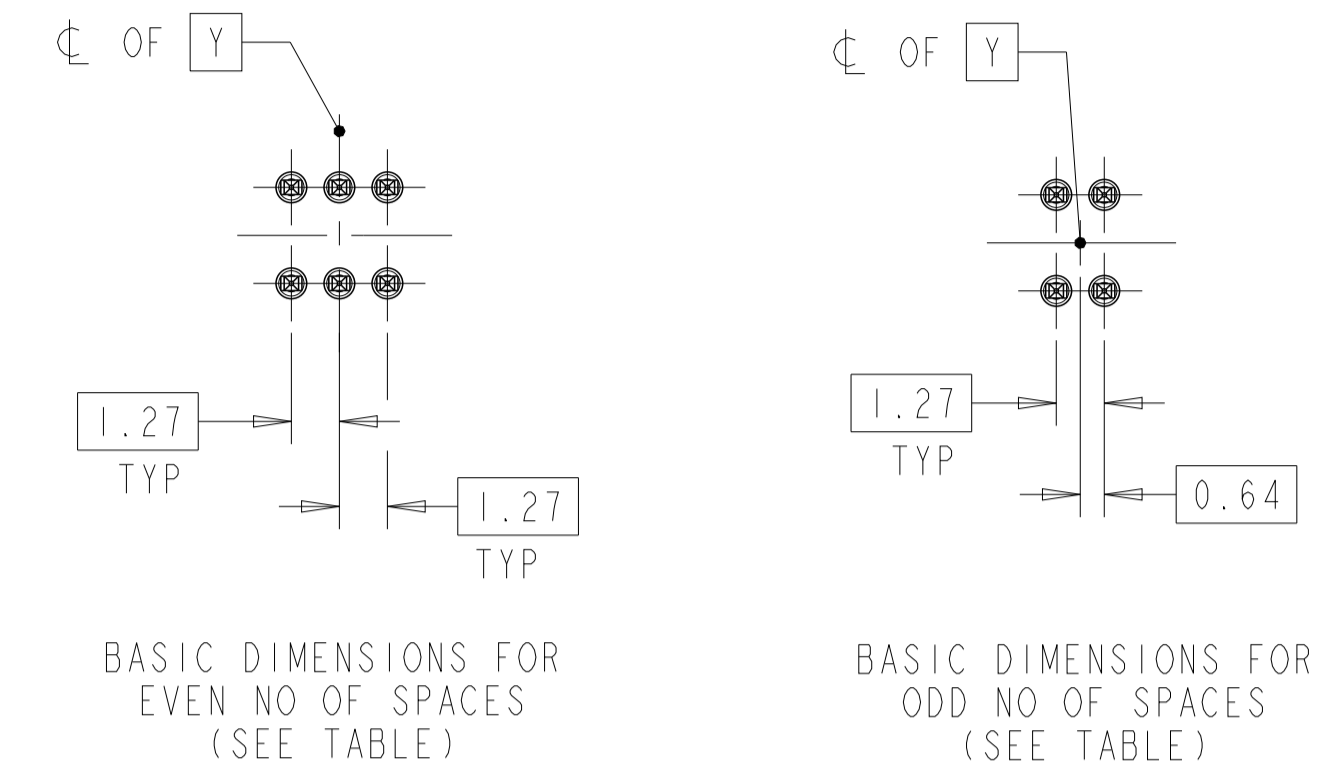
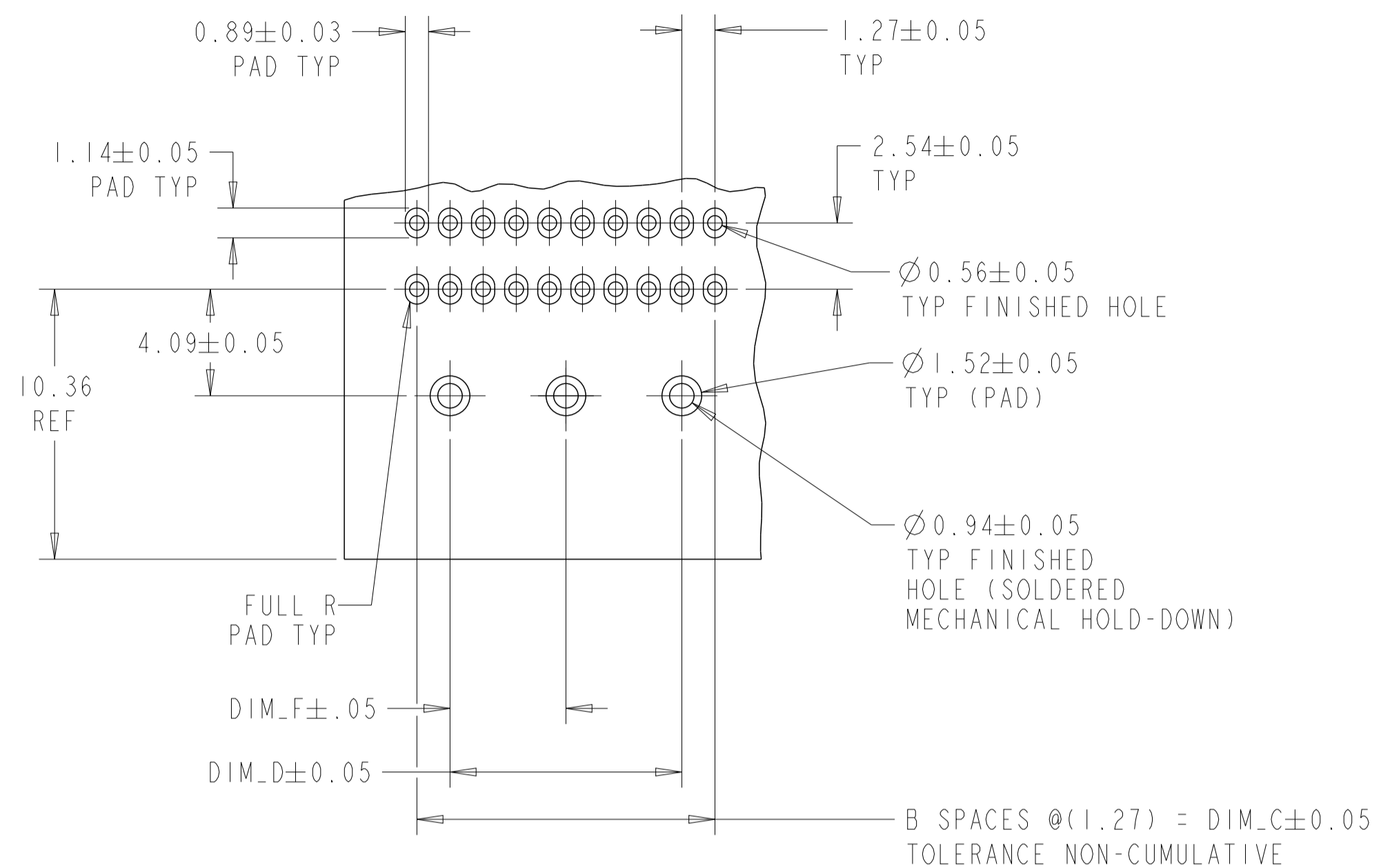
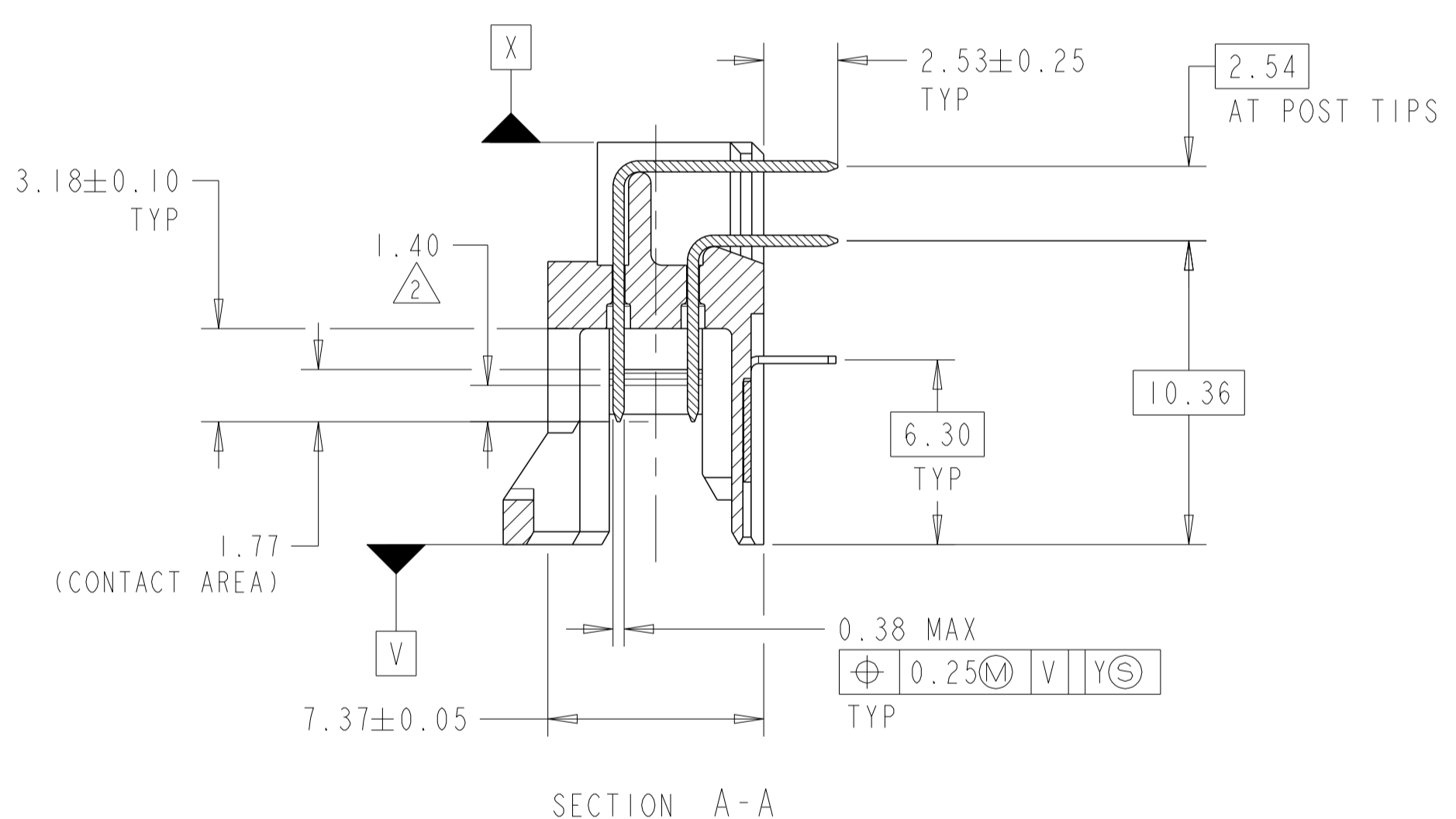
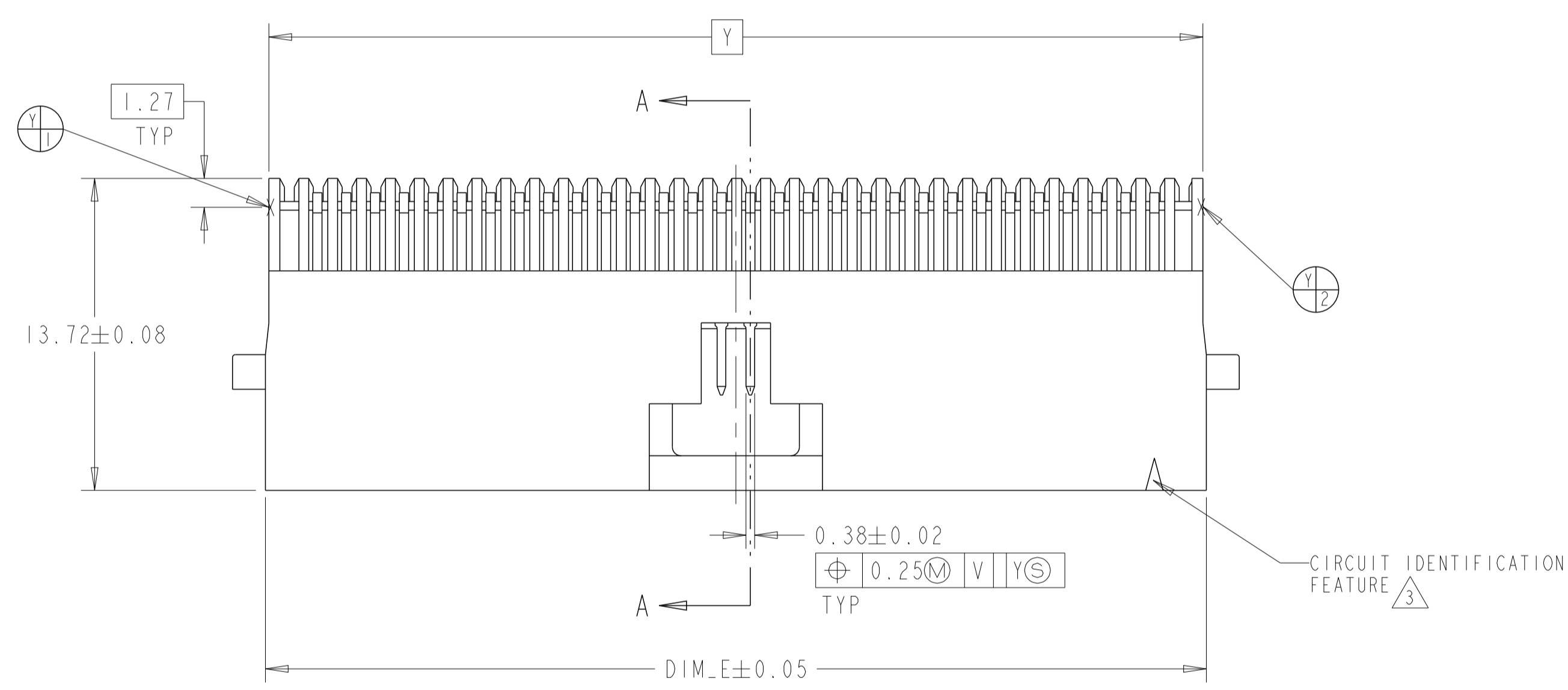


| REVISIONS | | | | |
|-----------|-----|-----------------------------------|-----------|-------|
| P | LTN | DESCRIPTION | DATE | APVD |
| AB | | REDRAWN/REVISED PER ECO-17-001755 | 18MAY2017 | RS JO |
| ABI | | REVISED PER ECO-19-011475 | 30JUL2019 | RS JO |

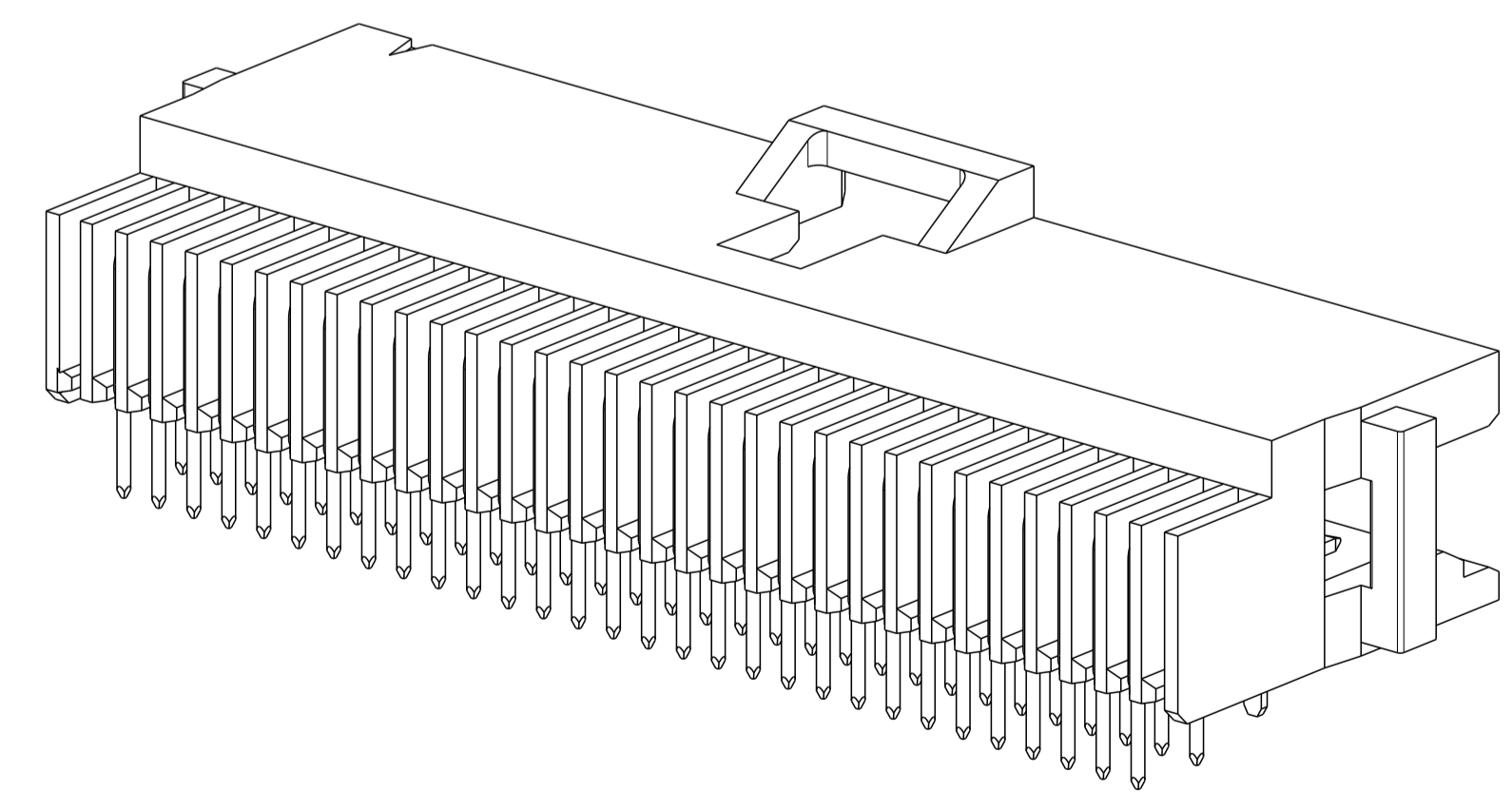
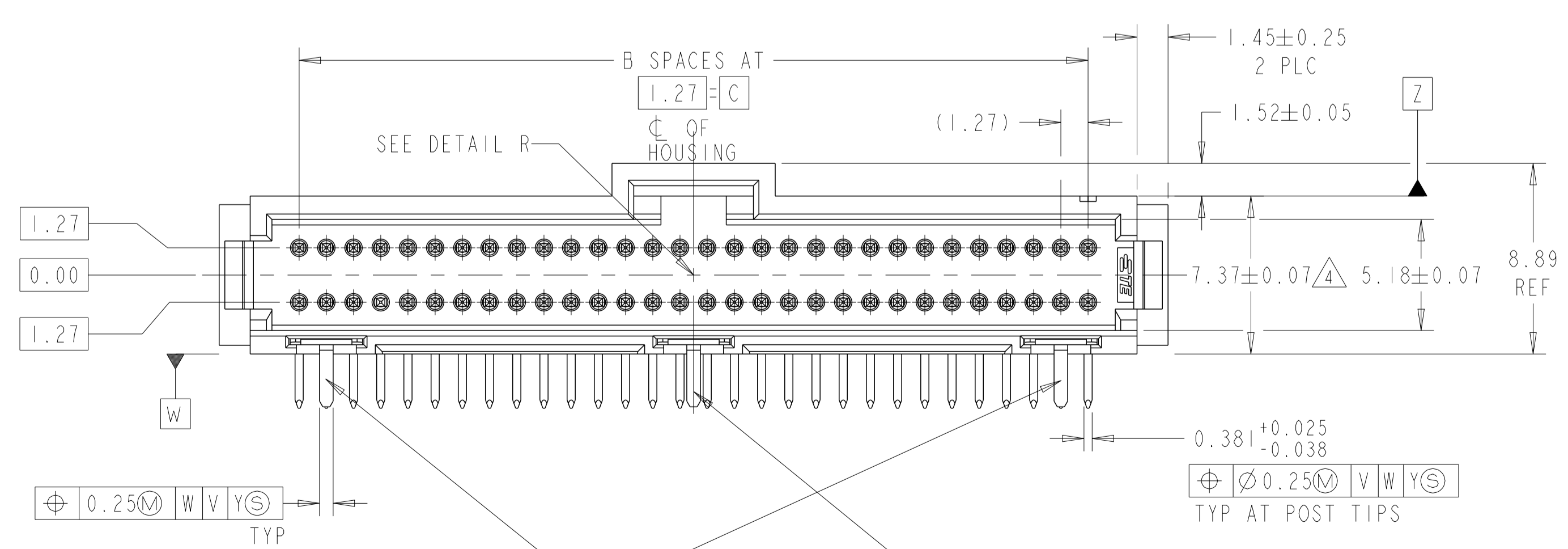
- 1 CONTACT AREA PLATED WITH 0.76µm MIN GOLD, SOLDER LEADS PLATED WITH 3.81µm TIN LEAD, ALL OVER 1.27µm NICKEL.
- 2 POINT OF MEASUREMENT FOR GOLD THICKNESS.
- 3 CIRCUIT IDENTIFICATION FEATURE OMITTED ON 8,10,12,& 14 POSITION HEADER ASSEMBLIES.
- 4 DIMENSION APPLIES AT BASE OF SHROUD.
- 5 NOTE DELETED.
- 6 CONTACT AREA PLATED WITH 0.76µm MIN GOLD, SOLDER LEADS PLATED WITH 3.81µm TIN, ALL OVER 1.27µm NICKEL.
- 7 FINISH: 0.0254µm MIN GOLD ON GOLD PLATED AREA. 3.81-6.35µm MATTE TIN-LEAD ON TIN PLATED AREA. UNDER PLATING TO BE 1.27-2.54µm NICKEL ON ENTIRE CONTACT.
- 8 FINISH: 0.0254µm MIN GOLD ON GOLD PLATED AREA. 3.81-6.35µm MATTE TIN ON TIN PLATED AREA. UNDER PLATING TO BE 1.27-2.54µm NICKEL ON ENTIRE CONTACT.
- 9 NOTE DELETED.
- 10 NOTE DELETED.
- 11 NOTE DELETED.
- 12 MATERIAL : HOUSING : LCP
COLOR : BLACK
CONTACT : COPPER ALLOY.



RECOMMENDED HOLE PATTERN



SECTION A-A



| | | | |
|--|-----------|--------------------------|---|
| THIS DRAWING IS A CONTROLLED DOCUMENT. | | OWN: RAVI.S 18MAY2017 | TE Connectivity |
| DIMENSIONS: mm | | CHK: J. OLSON 18MAY2017 | |
| TOLERANCES UNLESS OTHERWISE SPECIFIED: | | APVD: J. OLSON 18MAY2017 | NAME: HEADER ASSEMBLY, RIGHT ANGLE, DOUBLE ROW, W/SIDE & END LATCHES, AMPMODU System 50 |
| 0 PLC | ±0.3 | PRODUCT SPEC | SIZE: A1 |
| 1 PLC | ±0.13 | APPLICATION SPEC | CAGE CODE: 114-25031 |
| 2 PLC | ±0.13 | APPLICATION SPEC | DRAWING NO: 108-1093 |
| 3 PLC | ±0.13 | APPLICATION SPEC | SCALE: 5:1 |
| 4 PLC | ±0.13 | APPLICATION SPEC | SHEET: 1 of 2 |
| ANGLES | ±1* | WEIGHT | REV: ABI |
| FINISH | SEE TABLE | CUSTOMER DRAWING | |

THIS DRAWING IS UNPUBLISHED. RELEASED FOR PUBLICATION. COPYRIGHT copyright_d81e- ALL RIGHTS RESERVED.

| REVISIONS | | | | |
|-----------|-----|-------------|------|------|
| P | LTN | DESCRIPTION | DATE | APVD |
| - | - | SEE SHEET 1 | - | - |
| | | | | |
| | | | | |

| FINISH | DIM_F | DIM_D | DIM_C | B SPACES | DIM_E | NO OF POSN | PART NUMBER | FINISH | DIM_F | DIM_D | DIM_C | B SPACES | DIM_E | NO OF POSN | PART NUMBER |
|--------|-------|-------|-------|----------|-------|------------|-------------|--------|-------|-------|-------|----------|-------|------------|-------------|
| 8 | 19.69 | 39.37 | 41.91 | 33 | 46.48 | 68 | 8-104069-8 | 8 | 19.69 | 39.37 | 41.91 | 33 | 46.48 | 68 | 3-104069-8 |
| 8 | 29.85 | 59.69 | 62.23 | 49 | 66.80 | 100 | 8-104069-7 | 8 | 29.85 | 59.69 | 62.23 | 49 | 66.80 | 100 | 3-104069-7 |
| 8 | 20.96 | 41.91 | 44.45 | 35 | 49.02 | 72 | 8-104069-6 | 8 | 20.96 | 41.91 | 44.45 | 35 | 49.02 | 72 | 3-104069-6 |
| 8 | - | 24.13 | 26.67 | 21 | 31.24 | 44 | 8-104069-5 | 8 | - | 24.13 | 26.67 | 21 | 31.24 | 44 | 3-104069-5 |
| 8 | - | 17.78 | 20.32 | 16 | 24.89 | 34 | 8-104069-4 | 8 | - | 17.78 | 20.32 | 16 | 24.89 | 34 | 3-104069-4 |
| 8 | - | 12.7 | 15.24 | 12 | 19.81 | 26 | 8-104069-3 | 8 | - | 12.7 | 15.24 | 12 | 19.81 | 26 | 3-104069-3 |
| 8 | - | 11.43 | 13.97 | 11 | 18.54 | 24 | 8-104069-2 | 8 | - | 11.43 | 13.97 | 11 | 18.54 | 24 | 3-104069-2 |
| 8 | - | 6.35 | 8.89 | 7 | 13.46 | 16 | 8-104069-1 | 8 | - | 6.35 | 8.89 | 7 | 13.46 | 16 | 3-104069-1 |
| 8 | - | - | 7.62 | 6 | 12.19 | 14 | 8-104069-0 | 8 | - | - | 7.62 | 6 | 12.19 | 14 | 3-104069-0 |
| 8 | - | - | 6.35 | 5 | 10.92 | 12 | 7-104069-9 | 8 | - | - | 6.35 | 5 | 10.92 | 12 | 2-104069-9 |
| 8 | - | - | 3.81 | 3 | 8.38 | 8 | 7-104069-8 | 8 | - | - | 3.81 | 3 | 8.38 | 8 | 2-104069-8 |
| 8 | 17.15 | 34.29 | 36.83 | 29 | 41.40 | 60 | 7-104069-7 | 8 | 17.15 | 34.29 | 36.83 | 29 | 41.40 | 60 | 2-104069-7 |
| 8 | - | 21.59 | 24.13 | 19 | 28.70 | 40 | 7-104069-6 | 8 | - | 21.59 | 24.13 | 19 | 28.70 | 40 | 2-104069-6 |
| 8 | - | 15.24 | 17.78 | 14 | 22.35 | 30 | 7-104069-5 | 8 | - | 15.24 | 17.78 | 14 | 22.35 | 30 | 2-104069-5 |
| 8 | - | - | 5.08 | 4 | 9.65 | 10 | 7-104069-4 | 8 | - | - | 5.08 | 4 | 9.65 | 10 | 2-104069-4 |
| 8 | 23.50 | 46.99 | 49.53 | 39 | 54.10 | 80 | 7-104069-3 | 8 | 23.50 | 46.99 | 49.53 | 39 | 54.10 | 80 | 2-104069-3 |
| 8 | - | 27.94 | 30.48 | 24 | 35.05 | 50 | 7-104069-2 | 8 | - | 27.94 | 30.48 | 24 | 35.05 | 50 | 2-104069-2 |
| 8 | - | 8.89 | 11.43 | 9 | 16.00 | 20 | 7-104069-1 | 8 | - | 8.89 | 11.43 | 9 | 16.00 | 20 | 2-104069-1 |
| 6 | 19.69 | 39.37 | 41.91 | 33 | 46.48 | 68 | 6-104069-8 | 6 | 19.69 | 39.37 | 41.91 | 33 | 46.48 | 68 | 1-104069-8 |
| 6 | 29.85 | 59.69 | 62.23 | 49 | 66.80 | 100 | 6-104069-7 | 6 | 29.85 | 59.69 | 62.23 | 49 | 66.80 | 100 | 1-104069-7 |
| 6 | 20.96 | 41.91 | 44.45 | 35 | 49.02 | 72 | 6-104069-6 | 6 | 20.96 | 41.91 | 44.45 | 35 | 49.02 | 72 | 1-104069-6 |
| 6 | - | 24.13 | 26.67 | 21 | 31.24 | 44 | 6-104069-5 | 6 | - | 24.13 | 26.67 | 21 | 31.24 | 44 | 1-104069-5 |
| 6 | - | 17.78 | 20.32 | 16 | 24.89 | 34 | 6-104069-4 | 6 | - | 17.78 | 20.32 | 16 | 24.89 | 34 | 1-104069-4 |
| 6 | - | 12.7 | 15.24 | 12 | 19.81 | 26 | 6-104069-3 | 6 | - | 12.7 | 15.24 | 12 | 19.81 | 26 | 1-104069-3 |
| 6 | - | 11.43 | 13.97 | 11 | 18.54 | 24 | 6-104069-2 | 6 | - | 11.43 | 13.97 | 11 | 18.54 | 24 | 1-104069-2 |
| 6 | - | 6.35 | 8.89 | 7 | 13.46 | 16 | 6-104069-1 | 6 | - | 6.35 | 8.89 | 7 | 13.46 | 16 | 1-104069-1 |
| 6 | - | - | 7.62 | 6 | 12.19 | 14 | 6-104069-0 | 6 | - | - | 7.62 | 6 | 12.19 | 14 | 1-104069-0 |
| 6 | - | - | 6.35 | 5 | 10.92 | 12 | 5-104069-9 | 6 | - | - | 6.35 | 5 | 10.92 | 12 | 104069-9 |
| 6 | - | - | 3.81 | 3 | 8.38 | 8 | 5-104069-8 | 6 | - | - | 3.81 | 3 | 8.38 | 8 | 104069-8 |
| 6 | 17.15 | 34.29 | 36.83 | 29 | 41.40 | 60 | 5-104069-7 | 6 | 17.15 | 34.29 | 36.83 | 29 | 41.40 | 60 | 104069-7 |
| 6 | - | 21.59 | 24.13 | 19 | 28.70 | 40 | 5-104069-6 | 6 | - | 21.59 | 24.13 | 19 | 28.70 | 40 | 104069-6 |
| 6 | - | 15.24 | 17.78 | 14 | 22.35 | 30 | 5-104069-5 | 6 | - | 15.24 | 17.78 | 14 | 22.35 | 30 | 104069-5 |
| 6 | - | - | 5.08 | 4 | 9.65 | 10 | 5-104069-4 | 6 | - | - | 5.08 | 4 | 9.65 | 10 | 104069-4 |
| 6 | 23.50 | 46.99 | 49.53 | 39 | 54.10 | 80 | 5-104069-3 | 6 | 23.50 | 46.99 | 49.53 | 39 | 54.10 | 80 | 104069-3 |
| 6 | - | 27.94 | 30.48 | 24 | 35.05 | 50 | 5-104069-2 | 6 | - | 27.94 | 30.48 | 24 | 35.05 | 50 | 104069-2 |
| 6 | - | 8.89 | 11.43 | 9 | 16.00 | 20 | 5-104069-1 | 6 | - | 8.89 | 11.43 | 9 | 16.00 | 20 | 104069-1 |

THIS DRAWING IS A CONTROLLED DOCUMENT. DIMENSIONS: mm. TOLERANCES UNLESS OTHERWISE SPECIFIED: 0 PLC ±.1, 1 PLC ±0.3, 2 PLC ±0.13, 3 PLC ±.1, 4 PLC ±.1, ANGLES ±.1°. MATERIAL: FINISH. DWN: RAVI.S 18MAY2017, CHK: J. OLSON 18MAY2017, APVD: J. OLSON 18MAY2017. PRODUCT SPEC: 108-1093, APPLICATION SPEC: 114-25031. WEIGHT: -. CUSTOMER DRAWING. NAME: HEADER ASSEMBLY, RIGHT ANGLE, DOUBLE ROW, W/SIDE & END LATCHES, AMPMODU System 50. SIZE: A1, CAGE CODE: -, DRAWING NO: 104069, RESTRICTED TO: AB1. SCALE: 1:1, SHEET 2 OF 2, REV: AB1.

Mouser Electronics

Authorized Distributor

Click to View Pricing, Inventory, Delivery & Lifecycle Information:

[TE Connectivity:](#)

[5-104069-5](#)