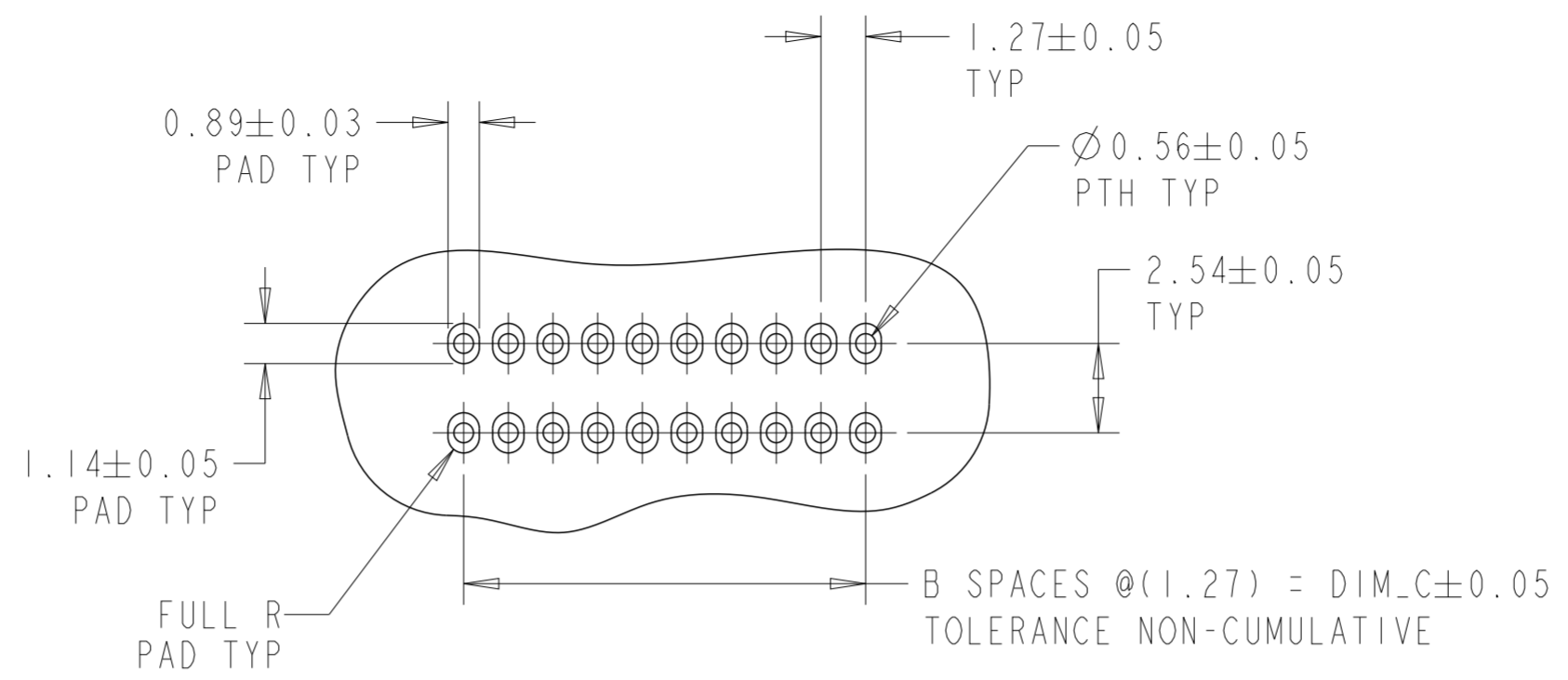


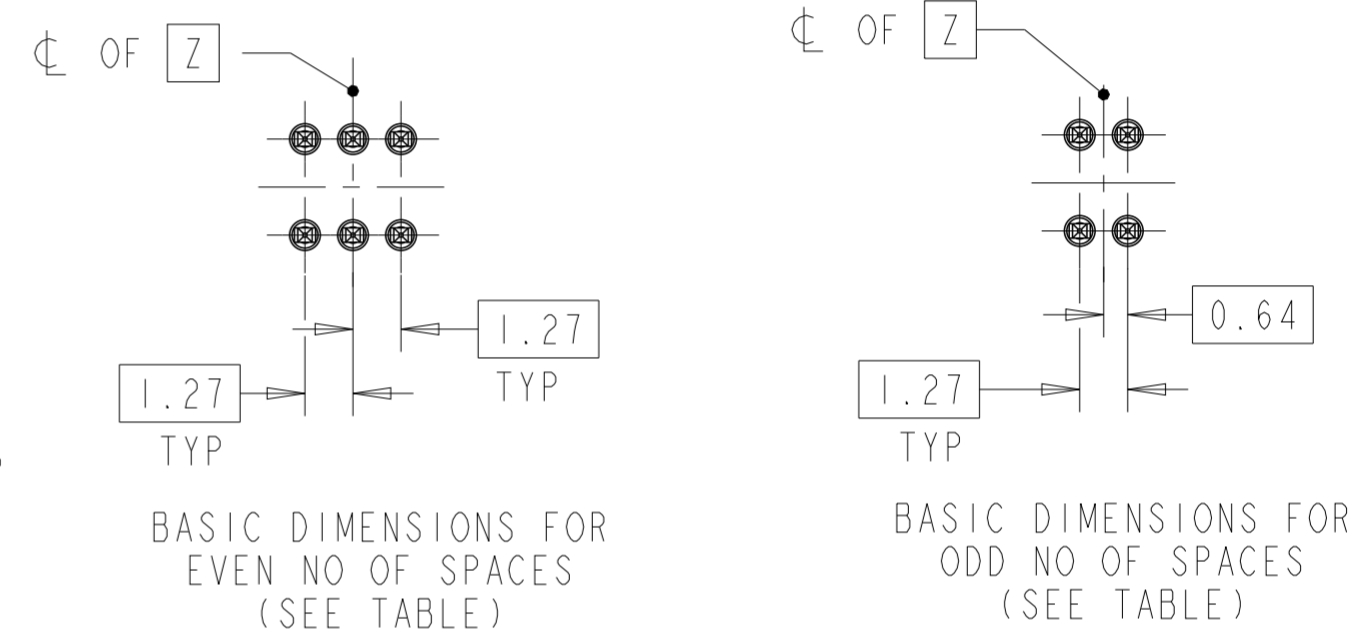
THIS DRAWING IS UNPUBLISHED. RELEASED FOR PUBLICATION  
 © COPYRIGHT copyright dbTe- ALL RIGHTS RESERVED.

REVISIONS					
P	LTR	DESCRIPTION	DATE	DWN	APVD
R		REDRAWN/REVISED PER ECO 17-001755	18MAY2017	RS	JO
RI		REVISED PER ECO-18-006412	04MAY2018	RS	JO

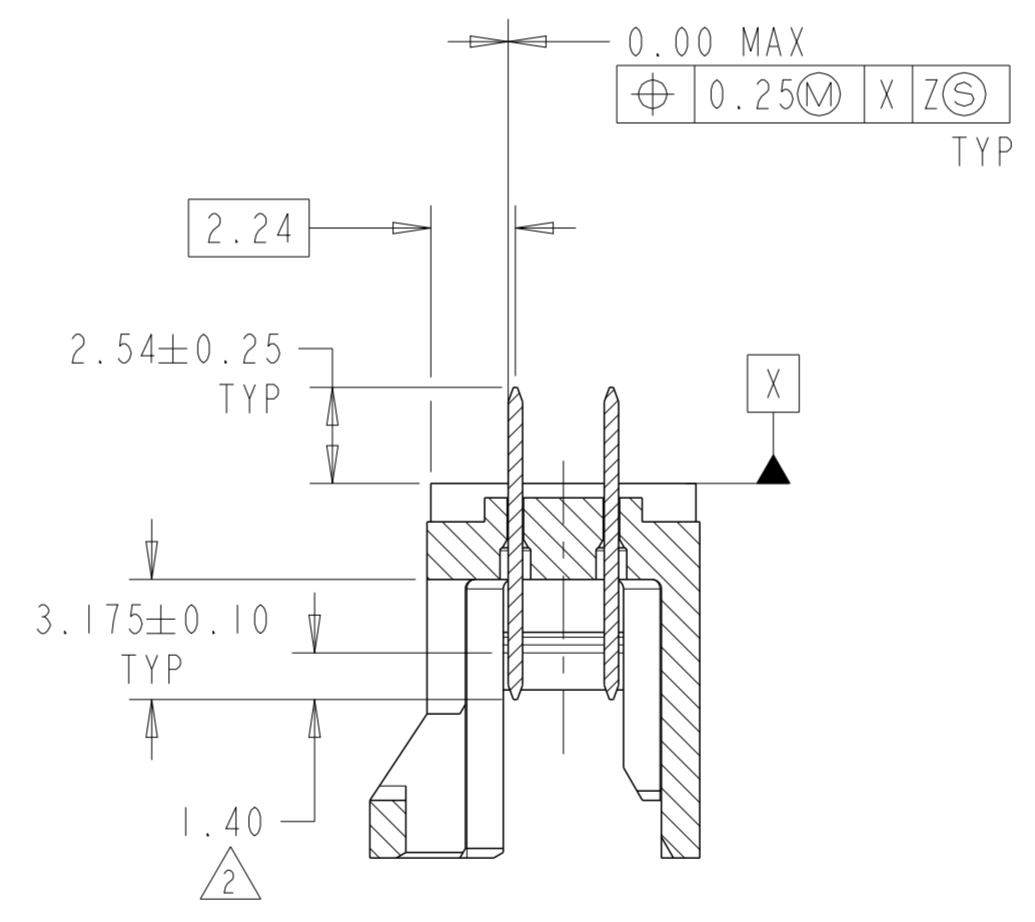
- 1 CONTACT AREA PLATED WITH 0.76µm MIN GOLD; SOLDER TAILS PLATED WITH 3.81µm MIN TIN-LEAD, ALL OVER 1.27µm MIN NICKEL.
- 2 POINT OF MEASUREMENT FOR PLATING THICKNESS.
- 3 CIRCUIT IDENTIFICATION FEATURE OMITTED ON 8,10,12 AND 14 POSN HEADER ASSEMBLIES.
- 4 DIMENSION APPLIES AT BASE OF SHROUD.
- 5 NOTE DELETED.
- 6 NOTE DELETED.
- 7 CONTACT AREA PLATED WITH 0.76µm MIN. GOLD; SOLDER TAILS PLATED WITH 3.81µm MIN TIN; ALL OVER 1.27µm MIN NICKEL.
- 8 FINISH: 0.025µm MIN GOLD ON GOLD PLATED AREA. 3.81-6.35µm MATTE TIN-LEAD ON TIN PLATED AREA. UNDER PLATING TO BE 1.27-2.54µm NICKEL ON ENTIRE CONTACT.
- 9 FINISH: 0.025µm MIN GOLD ON GOLD PLATED AREA. 3.81-6.35µm MATTE TIN ON TIN PLATED AREA. UNDER PLATING TO BE 1.27-2.54µm NICKEL ON ENTIRE CONTACT.
- 10 NOTE DELETED.
- 11 NOTE DELETED.
- 12 MATERIAL : HOUSING : LCP  
 COLOR : BLACK  
 POST : COPPER ALLOY.



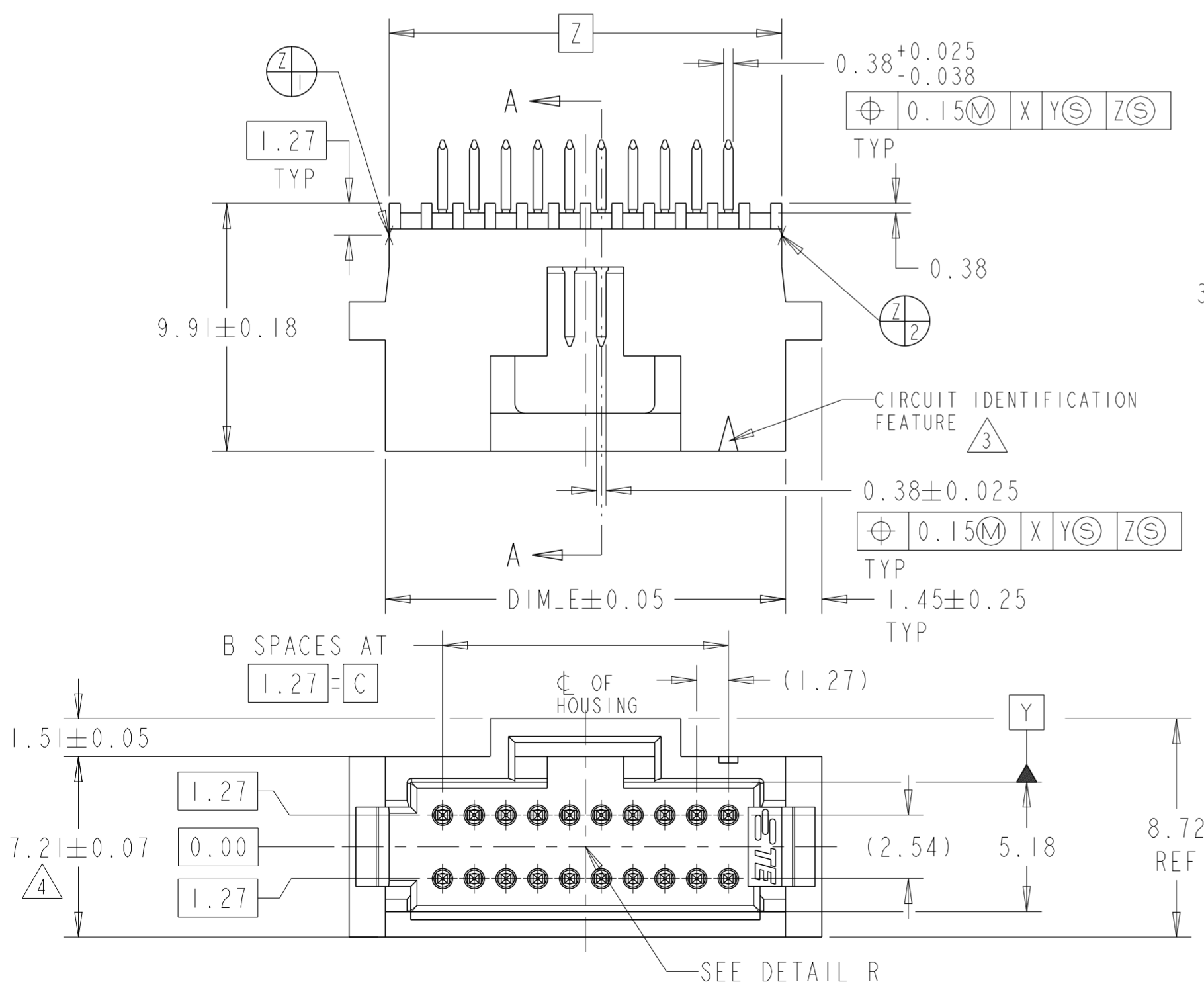
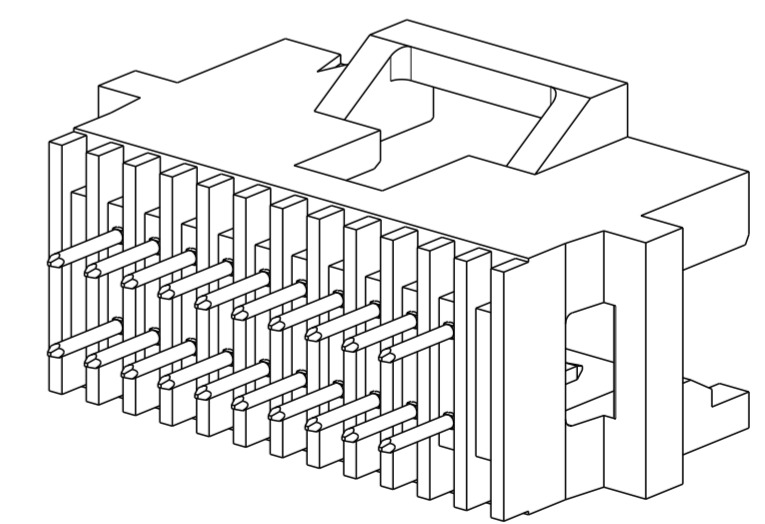
RECOMMENDED PC BOARD LAYOUT



DETAIL R



SECTION A-A




THIS DRAWING IS A CONTROLLED DOCUMENT.		DWN RAVLS 18MAY2017	TE Connectivity		
DIMENSIONS: mm		CHK J. OLSON 18MAY2017			
TOLERANCES UNLESS OTHERWISE SPECIFIED:		APVD J. OLSON 18MAY2017	NAME HEADER ASSEMBLY, VERTICAL, DOUBLE ROW, W/SIDE & END LATCHES, AMPMODU System 50		
0 PLC ±		PRODUCT SPEC	SIZE 108-1093		
1 PLC ±0.3		APPLICATION SPEC	CAGE CODE 114-25031		
2 PLC ±0.13		WEIGHT	DRAWING NO C-104068		
3 PLC ±		CUSTOMER DRAWING	RESTRICTED TO		
4 PLC ±		SCALE 5:1	SHEET 1 OF 2		
ANGLES ±1°			REV R1		
FINISH SEE TABLE					

THIS DRAWING IS UNPUBLISHED. RELEASED FOR PUBLICATION  
 © COPYRIGHT copyright.dbt ALL RIGHTS RESERVED.

REVISIONS				
P	LTR	DESCRIPTION	DATE	APVD
-		SEE SHEET 1	-	-

9	41.91	33	46.48	68	8-104068-8	8	41.91	33	46.48	68	3-104068-8
	62.23	49	66.80	100	8-104068-7		62.23	49	66.80	100	3-104068-7
	49.53	39	54.10	80	8-104068-6		49.53	39	54.10	80	3-104068-6
	44.45	35	49.02	72	8-104068-5		44.45	35	49.02	72	3-104068-5
	26.67	21	31.24	44	8-104068-4		26.67	21	31.24	44	3-104068-4
	20.32	16	24.89	34	8-104068-3		20.32	16	24.89	34	3-104068-3
	15.24	12	19.81	26	8-104068-2		15.24	12	19.81	26	3-104068-2
	13.97	11	18.54	24	8-104068-1		13.97	11	18.54	24	3-104068-1
	8.89	7	13.46	16	8-104068-0		8.89	7	13.46	16	3-104068-0
	7.62	6	12.19	14	7-104068-9		7.62	6	12.19	14	2-104068-9
	6.35	5	10.92	12	7-104068-8		6.35	5	10.92	12	2-104068-8
	3.81	3	8.38	8	7-104068-7		3.81	3	8.38	8	2-104068-7
	36.83	29	41.40	60	7-104068-6		36.83	29	41.40	60	2-104068-6
	30.48	24	35.05	50	7-104068-5		30.48	24	35.05	50	2-104068-5
	24.13	19	28.70	40	7-104068-4		24.13	19	28.70	40	2-104068-4
	17.78	14	22.35	30	7-104068-3		17.78	14	22.35	30	2-104068-3
	5.08	4	9.65	10	7-104068-2		5.08	4	9.65	10	2-104068-2
	11.43	9	16.00	20	7-104068-1		11.43	9	16.00	20	2-104068-1
	7	41.91	33	46.48	68		6-104068-8	1	41.91	33	46.48
62.23		49	66.80	100	6-104068-7	62.23	49		66.80	100	1-104068-7
49.53		39	54.10	80	6-104068-6	49.53	39		54.10	80	1-104068-6
44.45		35	49.02	72	6-104068-5	44.45	35		49.02	72	1-104068-5
26.67		21	31.24	44	6-104068-4	26.67	21		31.24	44	1-104068-4
20.32		16	24.89	34	6-104068-3	20.32	16		24.89	34	1-104068-3
15.24		12	19.81	26	6-104068-2	15.24	12		19.81	26	1-104068-2
13.97		11	18.54	24	6-104068-1	13.97	11		18.54	24	1-104068-1
8.89		7	13.46	16	6-104068-0	8.89	7		13.46	16	1-104068-0
7.62		6	12.19	14	5-104068-9	7.62	6		12.19	14	104068-9
6.35		5	10.92	12	5-104068-8	6.35	5		10.92	12	104068-8
3.81		3	8.38	8	5-104068-7	3.81	3		8.38	8	104068-7
36.83		29	41.40	60	5-104068-6	36.83	29		41.40	60	104068-6
30.48		24	35.05	50	5-104068-5	30.48	24		35.05	50	104068-5
24.13		19	28.70	40	5-104068-4	24.13	19		28.70	40	104068-4
17.78		14	22.35	30	5-104068-3	17.78	14		22.35	30	104068-3
5.08		4	9.65	10	5-104068-2	5.08	4		9.65	10	104068-2
11.43		9	16.00	20	5-104068-1	11.43	9		16.00	20	104068-1
FINISH		DIM_C	B SPACES	DIM_E	NO OF POSN	PART NUMBER	FINISH		DIM_C	B SPACES	DIM_E

THIS DRAWING IS A CONTROLLED DOCUMENT.		DWN RAVLS 18MAY2017	 TE Connectivity
		CHK J. OLSON 18MAY2017	
		APVD J. OLSON 18MAY2017	
		NAME HEADER ASSEMBLY, VERTICAL, DOUBLE ROW, W/SIDE & END LATCHES, AMPMODU System 50	
DIMENSIONS: mm		PRODUCT SPEC 108-1093	SIZE A2
TOLERANCES UNLESS OTHERWISE SPECIFIED: 0 PLC ± 1 PLC ±0.3 2 PLC ±0.13 3 PLC ± 4 PLC ± ANGLES ±°		APPLICATION SPEC 114-25031	CAGE CODE -
MATERIAL FINISH SEE TABLE		WEIGHT -	DRAWING NO C-104068
		CUSTOMER DRAWING	RESTRICTED TO -
		SCALE 4:1	SHEET 2 OF 2

# Mouser Electronics

Authorized Distributor

Click to View Pricing, Inventory, Delivery & Lifecycle Information:

[TE Connectivity:](#)

[5-104068-2](#)