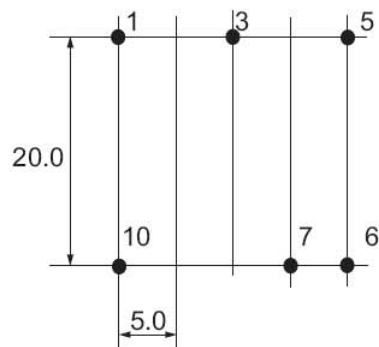
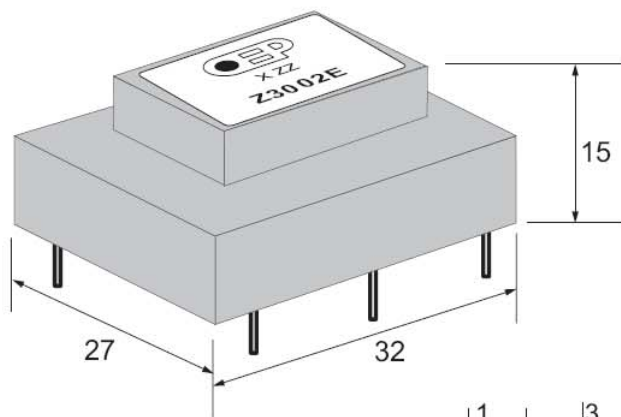
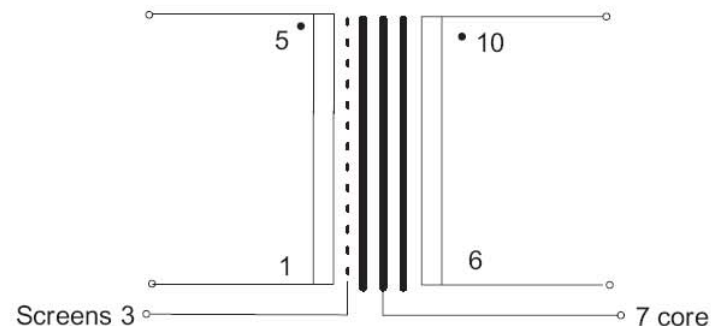


Label



Pin view (underside)

Mass = 0.045kg  
Pin diameter = 0.80mm



**Electrical specification:**

Ratio: 1 to 1  
Source impedance: 10k ohms  
Optimum load impedance: 10k ohms  
Frequency range: 20Hz - 20kHz, +/- 0.2dB  
THD: < 1% at +20dB  
Common mode rejection ratio: < -60dB @ 10kHz  
Primary DC resistance: 2k1 ohms +/- 15%  
Secondary DC resistance: 2k2 ohms +/- 15%  
Nominal inductance: 61.2H @ 100Hz, 0.27V

Operating temperature range: -20 to +70°C  
Storage temperature range: -40 to +125°C  
Fitted with electrostatic screen and stray flux screen.

Optional mu-metal screening can is available (33 x 28 x 16mm) to reduce electrical hum by up to 30dB

600 ohm impedance version available. Part number Z3001E

<p><b>Walters OEP Ltd.</b> Unit 5, Oxonian Park, Langford Locks, Kidlington, Oxfordshire. OX5 1FP Tel: (01865) 855085 Fax: (01865) 855075 Website: www.oep.co.uk</p>	DESCRIPTION	ISSUE	DATE	DRAWN	CHECKED	DRAWING NUMBER
	Specification for Z3002E	1	19/01/04	CS		<b>Z3002E</b>
		2	06/04/05	CS		
		3	19/07/05	CS		
		4	01/10/08	CS		
Scale : nts	All dimensions in mm unless stated otherwise					