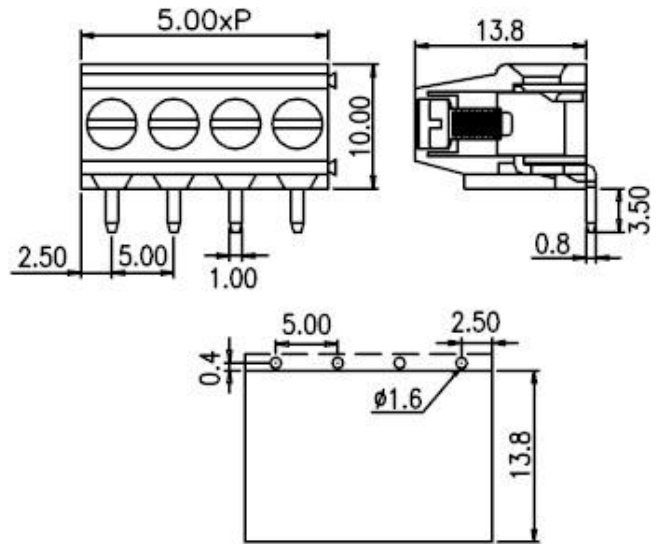


European P.C.B. type terminal blocks / EK series



**EK500R**



**Pitch: 5.00mm**

| Approval  |                 |      |
|---|-----------------|------|
| Technical Data  | UL              | IEC  |
| Rated voltage   | 300V            | 250V |
| Rated current   | 20A             | 10A  |
| Conductor cross-section, solid (AWG/ mm <sup>2</sup> )    | 24~12 / 0.5~2.5 |      |
| Conductor cross-section, flexible (AWG/ mm <sup>2</sup> ) | 24~12 / 0.5~2.5 |      |
| Rated surge voltage (UL/IEC/Max.)                         | 1.6 / 2 / 3 KV  |      |
| Torque (N-m)  | 0.50            |      |
| Screw   | M2.5            |      |
| Wire strip length   | 6~7mm           |      |
| Pole  | Cat. No.        |      |
| 02  | EK500R-02P      |      |
| :   | :               |      |
| :   | :               |      |
| 25  | EK500R-25P      |      |

TEL: +886-2-2908-0614

FAX: +886-2-2908-8549

E-mail: info@dinkle.com.tw