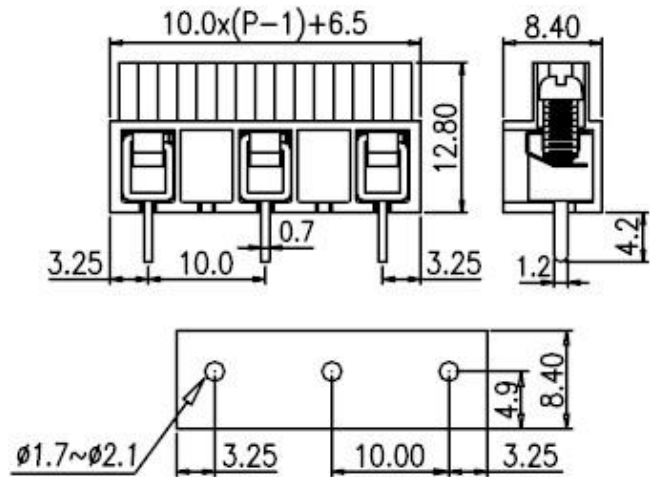




Wire protector type terminal blocks / 166 series



166-..P5



Pitch: 10.00mm

Approval	 	
Technical Data	UL	IEC
Rated voltage	300V / 600V	450V
Rated current	12A / 5A	24A
Conductor cross-section, solid (AWG/ mm ²)	18~12 / 0.5~2.5	
Conductor cross-section, flexible (AWG/ mm ²)	18~12 / 0.5~2.5	
Rated surge voltage (UL/IEC/Max.)	2.2 / 2.5 / 4 KV	
Torque (N-m)	0.34	
Screw	M3	
Wire strip length	6~7mm	
Pole	Cat. No.	
02	166-02P5	
:	:	
:	:	
12	166-12P5	

TEL: +886-2-2908-0614

FAX: +886-2-2908-8549

E-mail: info@dinkle.com.tw