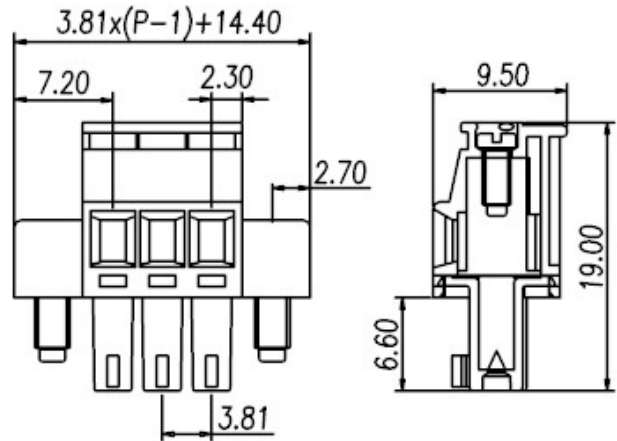
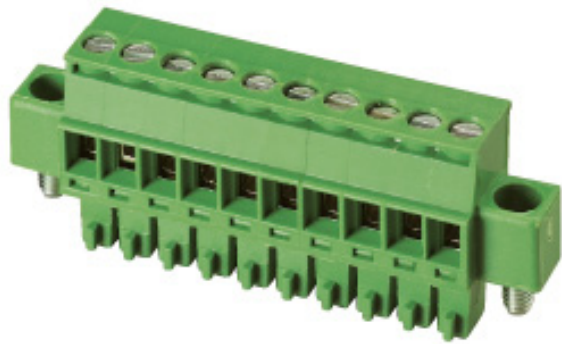



# Plugs for pluggable terminal blocks / EC & ESD series



## EC381RM



**Pitch: 3.81mm**

Approval		
Technical Data	UL	IEC
Rated voltage	300V	320V
Rated current	8A	14A
Conductor cross-section, solid (AWG/ mm <sup>2</sup> )	28~14 / 0.2~1.5	
Conductor cross-section, flexible (AWG/ mm <sup>2</sup> )	28~14 / 0.2~1.5	
Rated surge voltage (UL/IEC/Max.)	2/ 2.5 / 3 KV	
Torque (N-m)	0.19	
Screw	M2	
Wire strip length	6~7mm	
Pole	Cat. No.	
02	EC381RM-02P	
:	:	
:	:	
20	EC381RM-20P	

**TEL:** +886-2-2908-0614

**FAX:** +886-2-2908-8549

**E-mail:** info@dinkle.com.tw