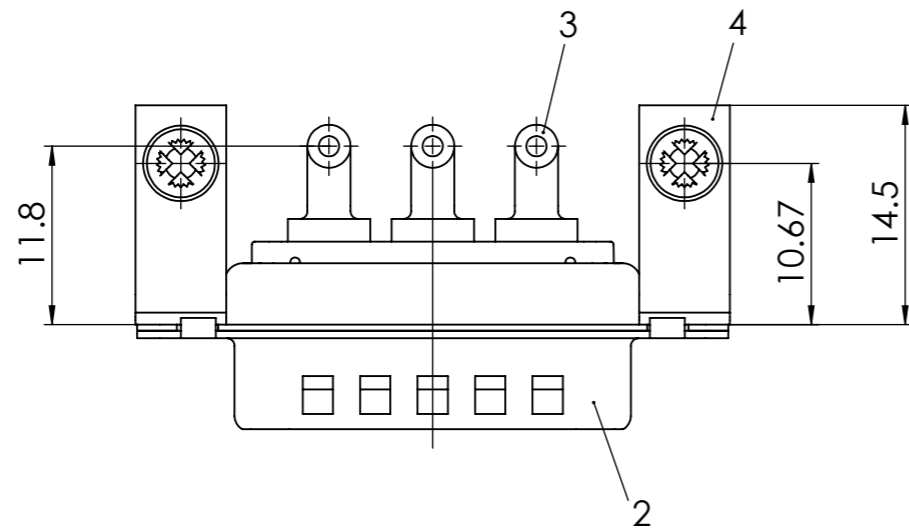
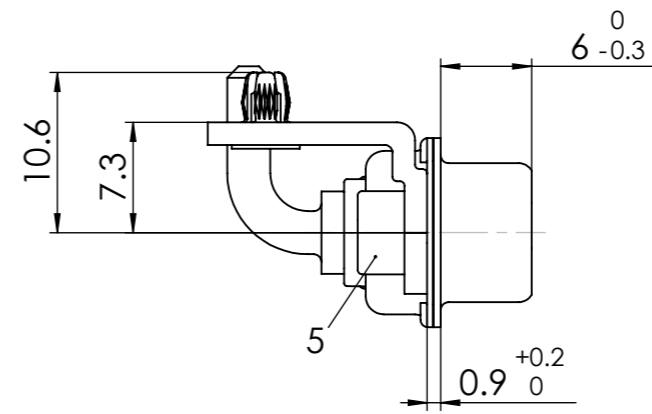
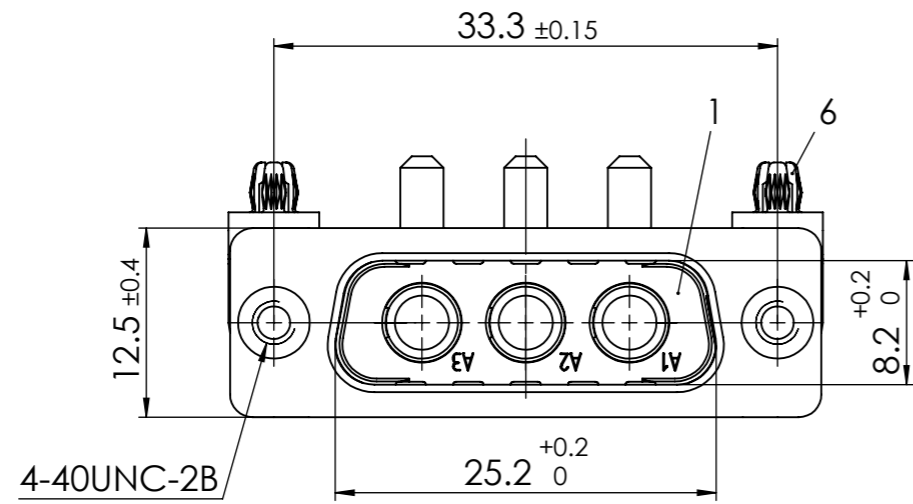
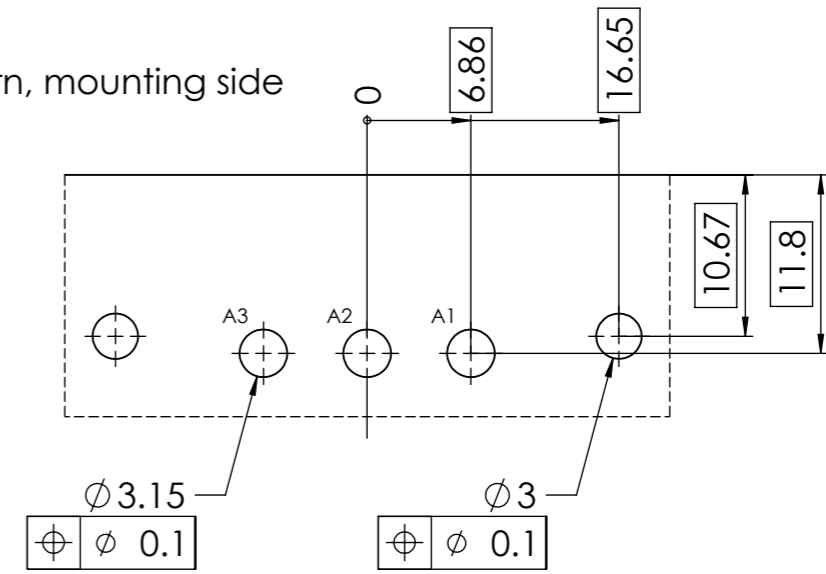


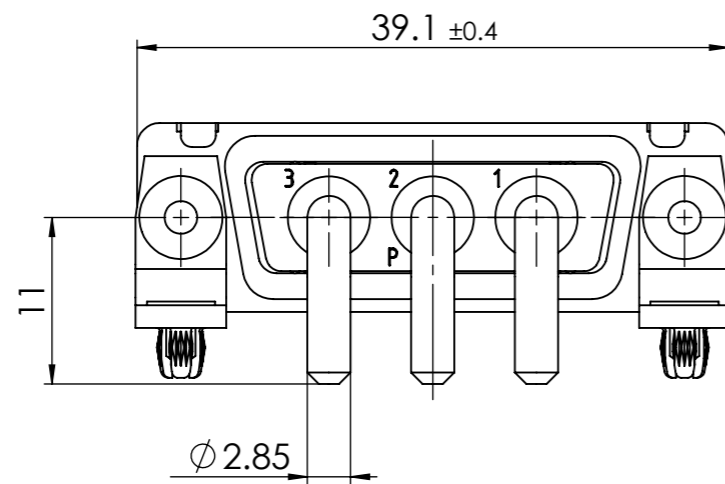
COMMENT: ALL RIGHTS ARE RESERVED BY US FOR THIS DRAWING. WITHOUT OUR PRIOR CONSENT, IT MAY NEITHER BE DUPLICATED NOR MADE AVAILABLE TO A THIRD PARTY. AND IT ALSO MAY NOT BE IMPROPERLY USED BY THE RECEIVER, OR A THIRD PARTY.



PCB hole pattern, mounting side



RoHS compliant by exemption



| No. | St. | Part | Type Description/Material | Surface plating/Colour/Class |
|-----|-----|--------------------|---------------------------|------------------------------|
| 6 | 2 | Snap-in rivet | PCB 1.6mm / Brass | tin plated |
| 5 | 2 | Clinch nut | MW 4-40 / Steel | tin plated |
| 4 | 2 | Bracket | F1080-13B / Steel | tin plated |
| 3 | 3 | High power contact | FMP008P104R | 20A |
| 2 | 1 | Shell | Steel | tin plated |
| 1 | 1 | Insulator | PBT (-55°C - +130°C) | green |

| | | | | | |
|---|--|---|--|--|--|
| SYMBOLS | | THIS DRAWING CONTAINS INFORMATION THAT IS PROPRIETARY TO MOLEX ELECTRONIC TECHNOLOGIES, LLC AND SHOULD NOT BE USED WITHOUT WRITTEN PERMISSION | | | |
| DIMENSION UNITS: mm SCALE: 2:1 MEASUREMENTS WITHOUT TOLERANCE ACC. TO: ISO 2768-m | | CURRENT REVISION DRWN: DRAWN BY MTeubel 25-02-2019 APPR: APPR BY gkrimshandl 25-02-2019 | | | |
| 2 24130 1 REV. CH.-NO. | | INITIAL REVISION DRWN: DRAWN BY sschref 05-03-2004 APPR: APPR BY fflößmann 05-03-2004 | | PRODUCT CUSTOMER DRAWING MATERIAL NUMBER: 1731070641 REVISION: 2 | |
| REPLACEMENT FOR: | | THIRD ANGLE PROJECTION | | DRAWING: A3-SIZE DOCUMENT NUMBER: FM3W3P-1343 CUSTOMER: GENERAL MARKET SHEET NUMBER: 1 OF 1 | |