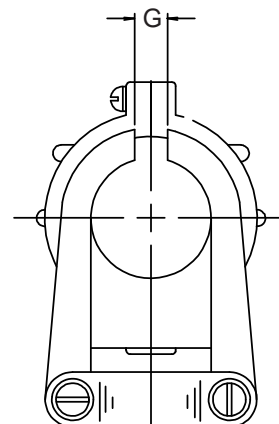
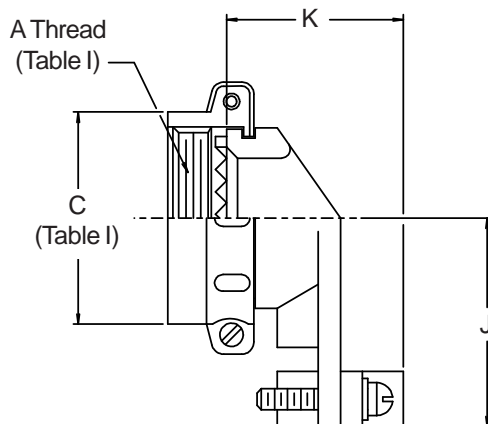
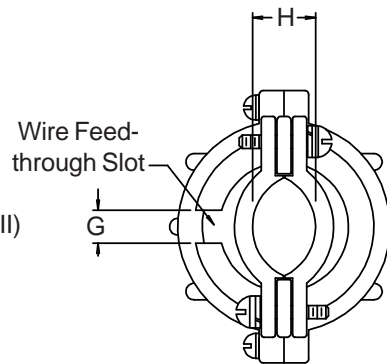
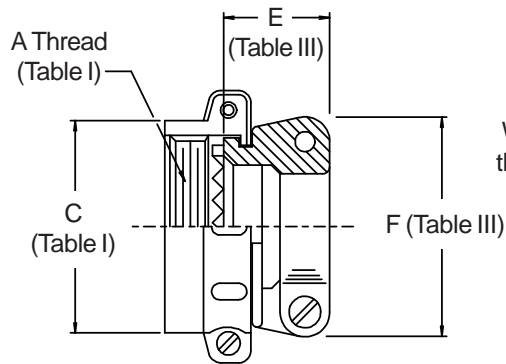
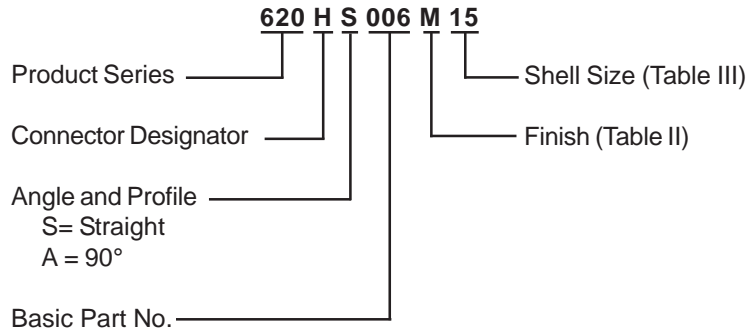


**CONNECTOR
 DESIGNATOR
 A-F-H-L
 ROTATABLE
 COUPLING**



620-006
Split Strain Reliefs
 Rotatable Coupling - Straight and 90°



TABLE III: CABLE ENTRY

Shell Size		H Cable Entry													
Conn. Desig. A,F,L	H	E		F		G		H Cable Entry				J		K	
		Max		Nom		Min		Closed	Open			Max		Max	
08	09	.602	(15.3)	.752	(19.1)	.125	(3.2)	.125	(3.2)	.204	(5.2)	.808	(20.3)	.704	(17.9)
10	11	.712	(18.1)	.832	(21.1)	.125	(3.2)	.187	(4.7)	.286	(7.3)	.867	(22.0)	.786	(20.0)
12	13	.837	(21.3)	.988	(25.1)	.188	(4.8)	.291	(7.4)	.416	(10.6)	.929	(23.6)	.979	(24.9)
14	15	.837	(21.3)	1.046	(26.6)	.188	(4.8)	.351	(8.9)	.476	(12.1)	.992	(25.2)	1.039	(26.4)
16	17	.962	(24.4)	1.319	(33.5)	.188	(4.8)	.501	(12.7)	.625	(15.9)	1.056	(26.8)	1.188	(30.2)
18	19	1.212	(30.8)	1.451	(36.9)	.250	(6.4)	.578	(14.7)	.706	(17.9)	1.233	(31.3)	1.300	(33.0)
20	21	1.337	(34.0)	1.557	(39.5)	.250	(6.4)	.581	(14.8)	.831	(21.1)	1.296	(32.9)	1.425	(36.2)
22	23	1.462	(37.1)	1.653	(42.0)	.312	(7.9)	.644	(16.4)	.956	(24.3)	1.358	(34.5)	1.550	(39.4)
24	25	1.587	(40.3)	1.775	(45.1)	.312	(7.9)	.706	(17.9)	1.081	(27.5)	1.420	(36.1)	1.675	(42.5)
28		1.731	(44.0)	2.020	(51.3)	.312	(7.9)	.750	(19.1)	1.187	(30.1)	1.634	(41.5)	1.813	(46.1)

1. Cable Entry is defined as the accommodation entry for the wire bundle or cable. Dimensions are not intended for inspection criteria.
2. Metric dimensions (mm) are indicated in parentheses.