


| SIGN | DATE | DESCRIPTION | APPROVER |
|------|-------------|------------------------------|----------|
| △ | 02/11'09 | The design changed | Jacke |
| △ | 02/11'09 | The design changed to revoke | Jacke |
| △ | 20010.11.05 | The drawing is revised. | Jacke |

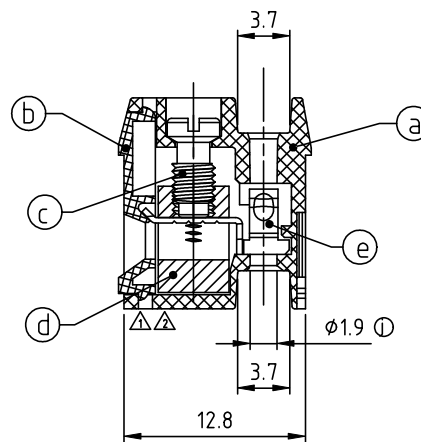
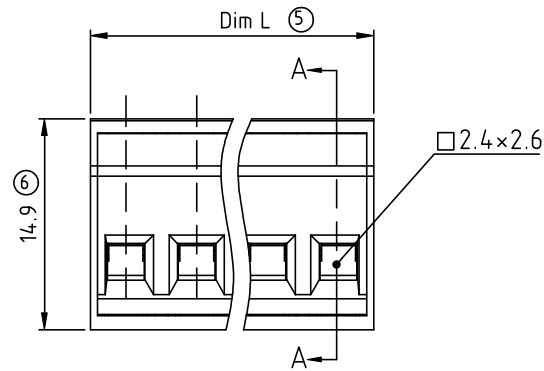
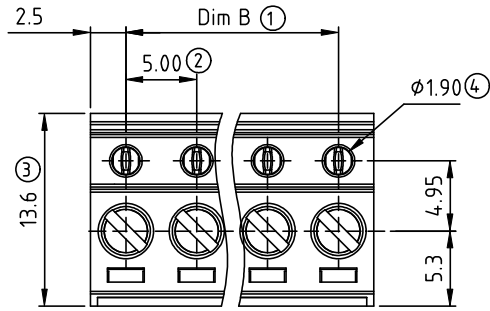
THIS IS CAD DRAWING, DO NOT REVISE MANUALLY!!!

Material

- Item a Terminal housing: Thermoplastic (UL94V-0)
- Item b Terminal cover: Thermoplastic (UL94V-0)
- Item c Terminal screw: Steel Zinc plating "- "type
- Item d Clamp: Brass, Ni plated
- Item e Female contact: PhBz , Tin plated

Electrical

- Voltage rating: 300V
- Current rating: 15A
- Wire range:
- Solid wire(AWG): 12-28
- Stranded wire(AWG): 12-28
- Torque: 4.5Lb-In
- Screw: M3
- Wire strip length: 5-6mm
- Withstanding Voltage: 1.6KV
- Operating temperature: -40°C to +115°C
- Safety Approval: 



SECTION A-A

| | |
|---------------------|--|
| EO xx 01 x 0 xxxx G | RoHS |
| 02 2 CONTACTS | Pb<40,000ppm |
| 03 3 CONTACTS | 0000 Standard @ Logo |
| ... | 000A Standard ANY Logo |
| 24 24 CONTACTS | Any special item by customer request, please contact sales department. |
| 0 Black (RAL9005) | |
| 2 Red (RAL3001/D) | |
| 3 Orange(RAL2011/P) | |
| 4 Yellow(RAL1018/A) | |
| 5 Green(RAL6018/T) | |
| 6 Blue (RAL5015/A) | |
| 8 Grey(RAL7035/D) | |

N=Number of poles
 Dim L=N×5.0
 Dim B=(N-1)×5.0

| Poles | 02 | 03 | 04 | 05 | 06 | 07 | 08 | 09 | 10 | 11 | 12 | |
|-------|-------|-------|-------|-------|-------|-------|-------|--------|--------|--------|--------|--------|
| Dim L | 10.00 | 15.00 | 20.00 | 25.00 | 30.00 | 35.00 | 40.00 | 45.00 | 50.00 | 55.00 | 60.00 | |
| Dim B | 5.00 | 10.00 | 15.00 | 20.00 | 25.00 | 30.00 | 35.00 | 40.00 | 45.00 | 50.00 | 55.00 | |
| TOL | ±0.10 | | | | ±0.15 | | | | ±0.20 | | | |
| Poles | 13 | 14 | 15 | 16 | 17 | 18 | 19 | 20 | 21 | 22 | 23 | 24 |
| Dim L | 65.00 | 70.00 | 75.00 | 80.00 | 85.00 | 90.00 | 95.00 | 100.00 | 105.00 | 110.00 | 115.00 | 120.00 |
| Dim B | 60.00 | 65.00 | 70.00 | 75.00 | 80.00 | 85.00 | 90.00 | 95.00 | 100.00 | 105.00 | 110.00 | 115.00 |
| TOL | ±0.25 | | | | ±0.30 | | | | ±0.40 | | | |

| | | | | | | | |
|---|--|----------------------------------|------------|----------------------|--------------|--|------------|
| Amphenol ANYTEK | | | | CUSTOMER COPY | | | |
| ALL RIGHTS RESERVED. REPRODUCTION OR ISSUE TO THIRD PARTIES IN ANY FORM WHATSOEVER IS NOT PERMITTED WITHOUT WRITTEN AUTHORITY FROM THE PROPRIETOR. PROPERTY OF ANYTEK TECHNOLOGY CO., LTD | | | | | | | |
| TITLE | | EO 5.0 series (A type φ1.90mm) | | | | | |
| PART NO. | | EOxx01x0xxxxG | | | DWG NO. | | 8E0001 |
| APPROVED | | CHECKED | DESIGNED | DRAWN | CUST NO. | | Tolerance |
| | | Jacke | Jacke | | | | X. ±0.50 |
| | | 2010.11.05 | 2009.02.23 | | | | X.X ±0.30 |
| | | | | | | | X.XX ±0.10 |
| | | | | | | | X° ±1° |
| | | | | | SHEET: 01/01 | | REV.: E |