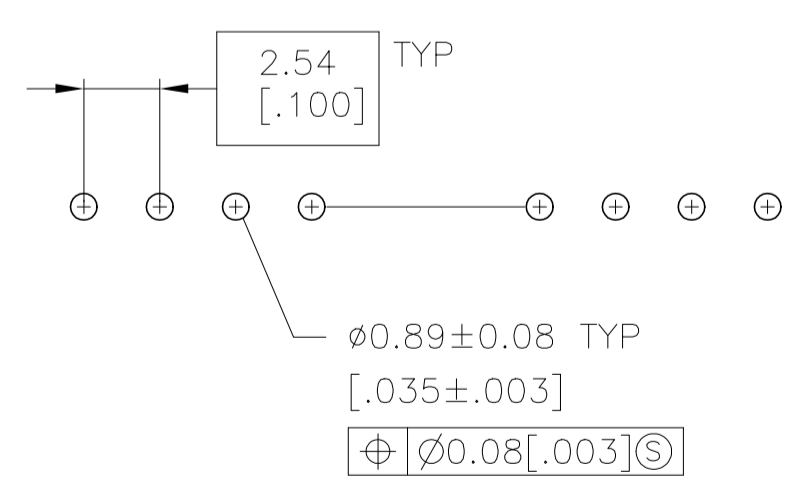
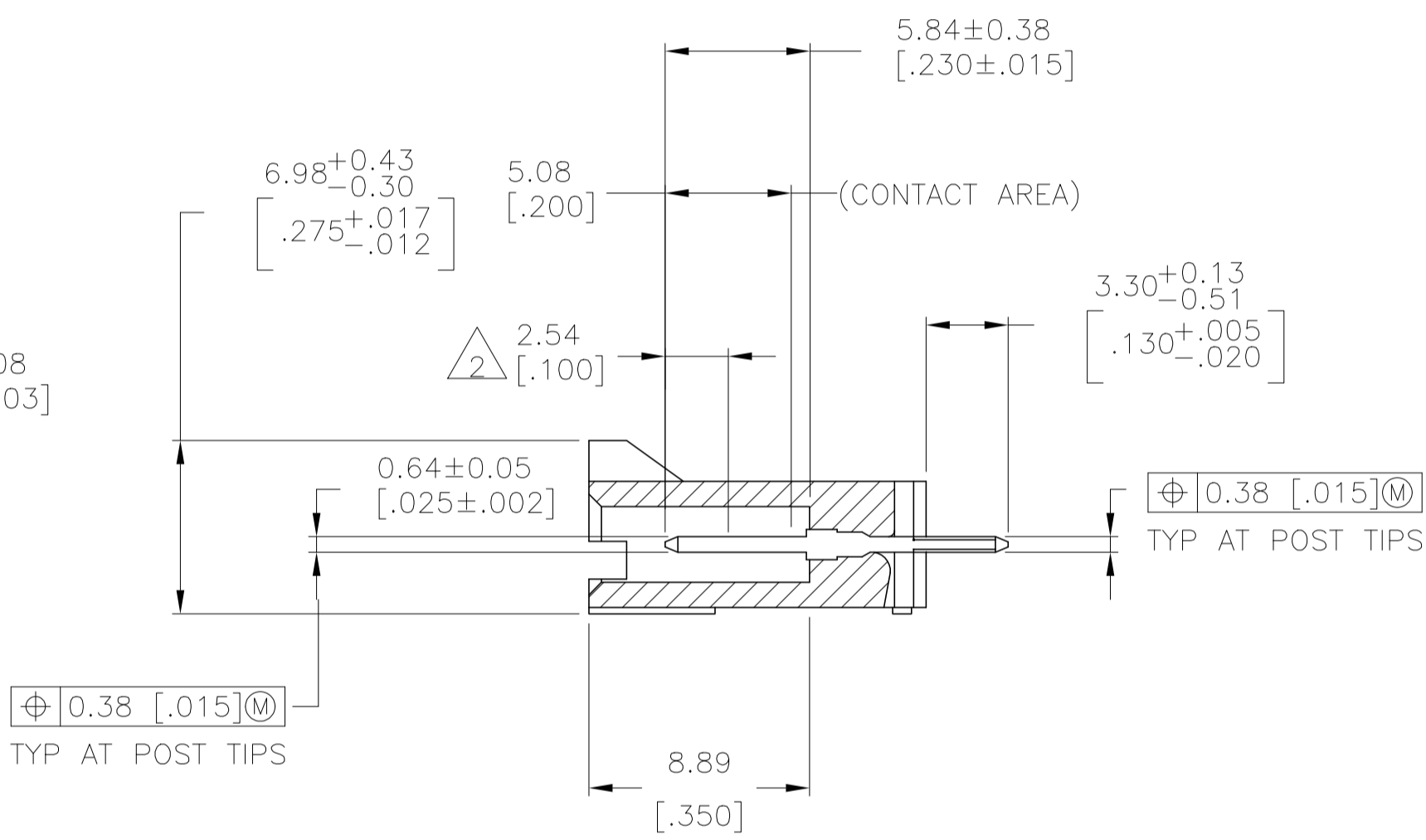
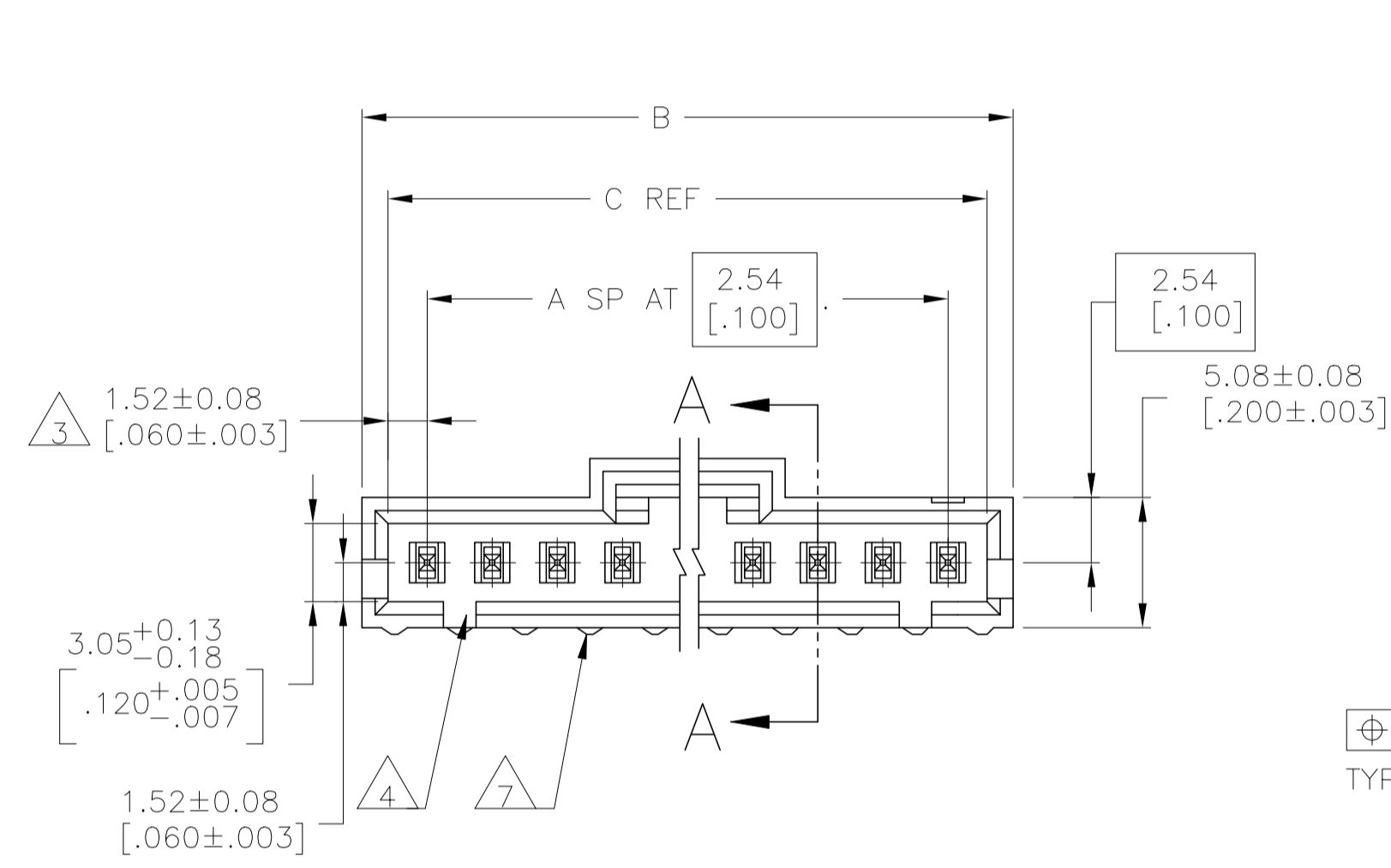
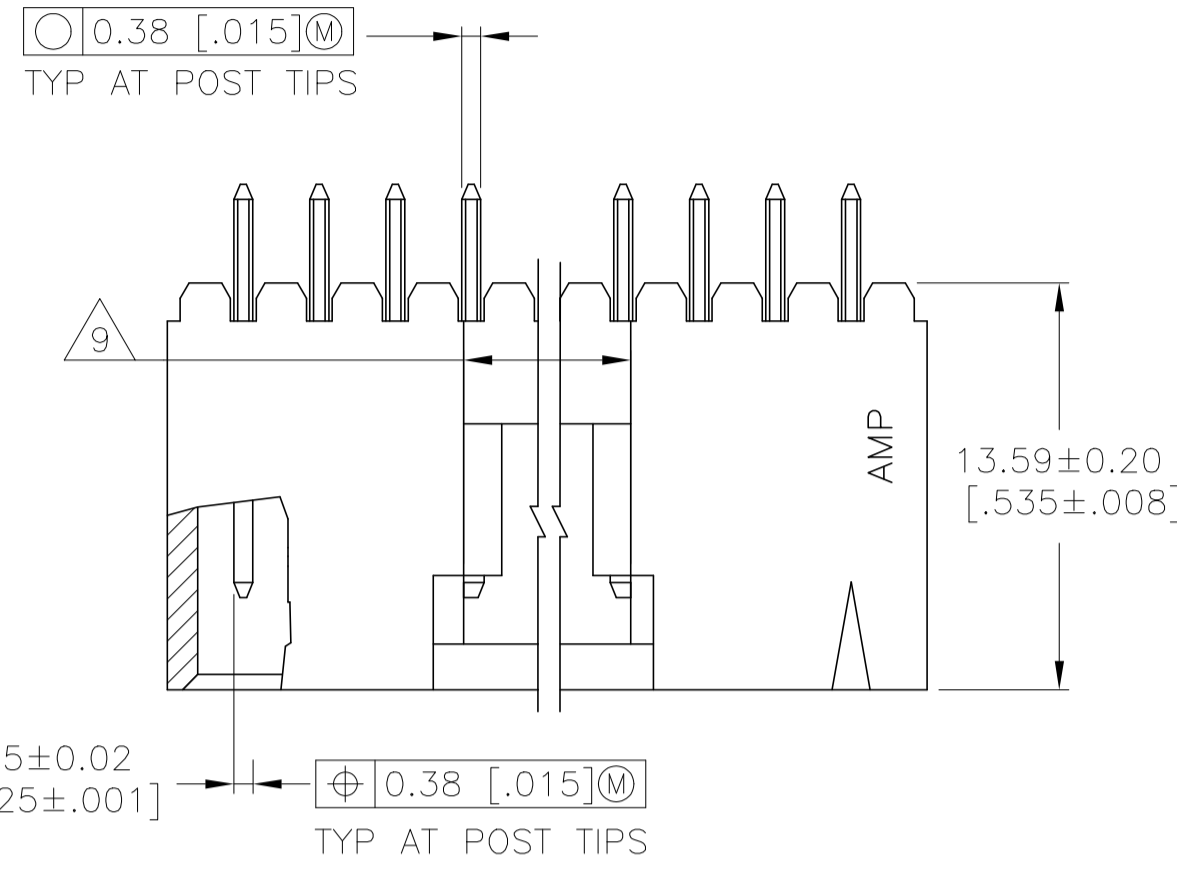


REVISIONS					
P	LTR	DESCRIPTION	DATE	DRN	APVD
V		REVISED PER ECO-17-002209	11APR2017	RS	MM
W		REVISED PER ECO-20-001323	19JUN2020	SM	JO

- ① .00076[.000030] GOLD IN THE CONTACT AREA, .00254[.000100] MATTE TIN-LEAD ON REMAINDER OF CONTACT, ALL OVER .00127[.000050] NICKEL.
- ② POINT OF MEASUREMENT FOR PLATING THICKNESS.
- ③ THE NOTED DIMENSIONS APPLY AT THE INTERSECTION OF THE POST AND THE HOUSING.
- ④ ON ASSEMBLIES WITH FOUR OR MORE POSITIONS, TWO POLARIZATION SLOTS. ON ASSEMBLIES WITH TWO OR THREE POSITIONS, ONE POLARIZATION SLOT.
- ⑤ .00076[.000030] GOLD IN THE CONTACT AREA, .00254[.000100] MATTE TIN ON REMAINDER OF CONTACT, ALL OVER .00127[.000050] NICKEL.
- ⑥ HIGH TEMPERATURE CONFIGURATION
- ⑦ STANDOFFS NOT PRESENT ON UNDERSIDE OF ASSEMBLY
- ⑧ OBSOLETE PARTS: OBSOLETE CIS STREAMLINING PER D.RENAUD/D.SINISI
- ⑨ 0.25 [.010] RECESS PERMISSIBLE IN THIS AREA FOR MOLD SHUT OFF



RECOMMENDED HOLE LAYOUT

REMARKS	PLATING	C	B	A	NO. OF POSN	PART NO.
⑥	①	64.01 [2.520]	65.91 [2.595]	24	25	2-103735-4
⑧ OBSOLETE	⑥	61.47 [2.420]	63.37 [2.495]	23	24	2-103735-3
⑧ OBSOLETE	⑥	58.93 [2.320]	60.83 [2.395]	22	23	2-103735-2
⑧ OBSOLETE	⑥	56.39 [2.220]	58.29 [2.295]	21	22	2-103735-1
⑧ OBSOLETE	⑥	53.85 [2.120]	55.75 [2.195]	20	21	2-103735-0
	⑥	51.31 [2.020]	53.21 [2.095]	19	20	1-103735-9
⑧ OBSOLETE	⑥	48.77 [1.920]	50.67 [1.995]	18	19	1-103735-8
	⑥	46.23 [1.820]	48.13 [1.895]	17	18	1-103735-7
	⑥	43.69 [1.720]	45.59 [1.795]	16	17	1-103735-6
	⑥	41.15 [1.620]	43.05 [1.695]	15	16	1-103735-5
	⑥	38.61 [1.520]	40.51 [1.595]	14	15	1-103735-4
	⑥	36.07 [1.420]	37.97 [1.495]	13	14	1-103735-3
	⑥	33.53 [1.320]	35.43 [1.395]	12	13	1-103735-2
	⑥	30.99 [1.220]	32.89 [1.295]	11	12	1-103735-1
	⑥	28.45 [1.120]	30.35 [1.195]	10	11	1-103735-0
	⑥	25.91 [1.020]	27.81 [1.095]	9	10	103735-9
	⑥	23.37 [.920]	25.27 [0.995]	8	9	103735-8
	⑥	20.83 [.820]	22.73 [.895]	7	8	103735-7
	⑥	18.29 [.720]	20.19 [.795]	6	7	103735-6
	⑥	15.75 [.620]	17.65 [.695]	5	6	103735-5
	⑥	13.21 [.520]	15.11 [.595]	4	5	103735-4
	⑥	10.67 [.420]	12.57 [.495]	3	4	103735-3
	⑥	8.13 [.320]	10.03 [.395]	2	3	103735-2
	⑥	5.59 [.220]	7.49 [.295]	1	2	103735-1

THIS DRAWING IS A CONTROLLED DOCUMENT.

DRN: S. SHUEY 3-5-91
 DW: L. CASTAGNA 3-27-91
 APVD: L. CASTAGNA 3-27-91

STE TE Connectivity

DIMENSIONS: mm [INCHES]

TOLERANCES UNLESS OTHERWISE SPECIFIED:

0 PLC	±	
1 PLC	±	
2 PLC	±	0.13[.005]
3 PLC	±	0.13[.005]
4 PLC	±	
ANGLES	±	

MATERIAL: HOUSING: FLAME RETARDANT LCP; COLOUR: BLACK; CONTACTS: BRASS

FINISH: SEE TABLE

WEIGHT: A100779C=103735

RESTRICTED TO: CUSTOMER DRAWING


SCALE: 4:1 SHEET 1 OF 2 REV W

THIS DRAWING IS UNPUBLISHED. RELEASED FOR PUBLICATION
 © COPYRIGHT - By - ALL RIGHTS RESERVED.

REVISIONS				
P	LR	DESCRIPTION	DATE	APP'D
		SEE SHEET 1	-	-

REMARKS	PLATING	C	B	A	NO. OF POSN	PART NO.
					24	7-103735-4
OBSELETE					23	-7-103735-3
OBSELETE					22	-7-103735-2
OBSELETE					21	-7-103735-1
OBSELETE					20	-7-103735-0
					19	6-103735-9
OBSELETE					18	-6-103735-8
OBSELETE					17	-6-103735-7
					16	6-103735-6
					15	6-103735-5
					14	6-103735-4
					13	6-103735-3
OBSELETE					12	-6-103735-2
					11	6-103735-1
					10	6-103735-0
					9	5-103735-9
					8	5-103735-8
					7	5-103735-7
					6	5-103735-6
					5	5-103735-5
					4	5-103735-4
					3	5-103735-3
					2	5-103735-2
					1	5-103735-1

THIS DRAWING IS A CONTROLLED DOCUMENT.

DWN S. SHUEY 3-5-91	DWN L. CASTAGNA 3-27-91	 TE Connectivity																																																	
DIMENSIONS: mm [INCHES]	TOLERANCES UNLESS OTHERWISE SPECIFIED:	APVD L. CASTAGNA 3-27-91	NAME HDR ASSY, VERT, SINGLE ROW 2.54[.100] @ 0.64[.025] SQ POST, WITH PLZN & LATCHING, AMPMODU MTE																																																
<table border="1"> <tr><td>0</td><td>PLC</td><td>±</td><td>-</td></tr> <tr><td>1</td><td>PLC</td><td>±</td><td>-</td></tr> <tr><td>2</td><td>PLC</td><td>±</td><td>-</td></tr> <tr><td>3</td><td>PLC</td><td>±</td><td>-</td></tr> <tr><td>4</td><td>PLC</td><td>±</td><td>-</td></tr> <tr><td colspan="2">ANGLES</td><td>±</td><td>-</td></tr> </table>	0	PLC	±	-	1	PLC	±	-	2	PLC	±	-	3	PLC	±	-	4	PLC	±	-	ANGLES		±	-	<table border="1"> <tr><td>0</td><td>PLC</td><td>±</td><td>-</td></tr> <tr><td>1</td><td>PLC</td><td>±</td><td>-</td></tr> <tr><td>2</td><td>PLC</td><td>±</td><td>-</td></tr> <tr><td>3</td><td>PLC</td><td>±</td><td>-</td></tr> <tr><td>4</td><td>PLC</td><td>±</td><td>-</td></tr> <tr><td colspan="2">ANGLES</td><td>±</td><td>-</td></tr> </table>	0	PLC	±	-	1	PLC	±	-	2	PLC	±	-	3	PLC	±	-	4	PLC	±	-	ANGLES		±	-	APPLICATION SPEC	RESTRICTED TO
0	PLC	±	-																																																
1	PLC	±	-																																																
2	PLC	±	-																																																
3	PLC	±	-																																																
4	PLC	±	-																																																
ANGLES		±	-																																																
0	PLC	±	-																																																
1	PLC	±	-																																																
2	PLC	±	-																																																
3	PLC	±	-																																																
4	PLC	±	-																																																
ANGLES		±	-																																																
MATERIAL: HOUSING: FLAME RETARDANT LEAD: COPPER-BLACK CONTACTS: BRASS	FINISH: SEE TABLE	WEIGHT: A100779	DRAWING NO: C=103735																																																
CUSTOMER DRAWING		SCALE: 4:1	SHEET 2 OF 2 REV W																																																

Mouser Electronics

Authorized Distributor

Click to View Pricing, Inventory, Delivery & Lifecycle Information:

[TE Connectivity:](#)

[5-103735-4](#)