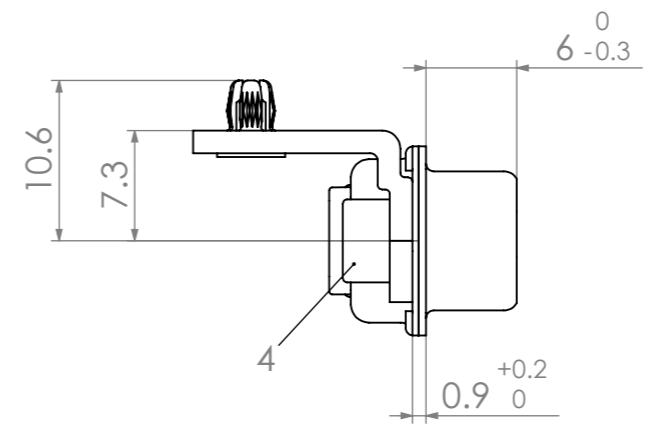
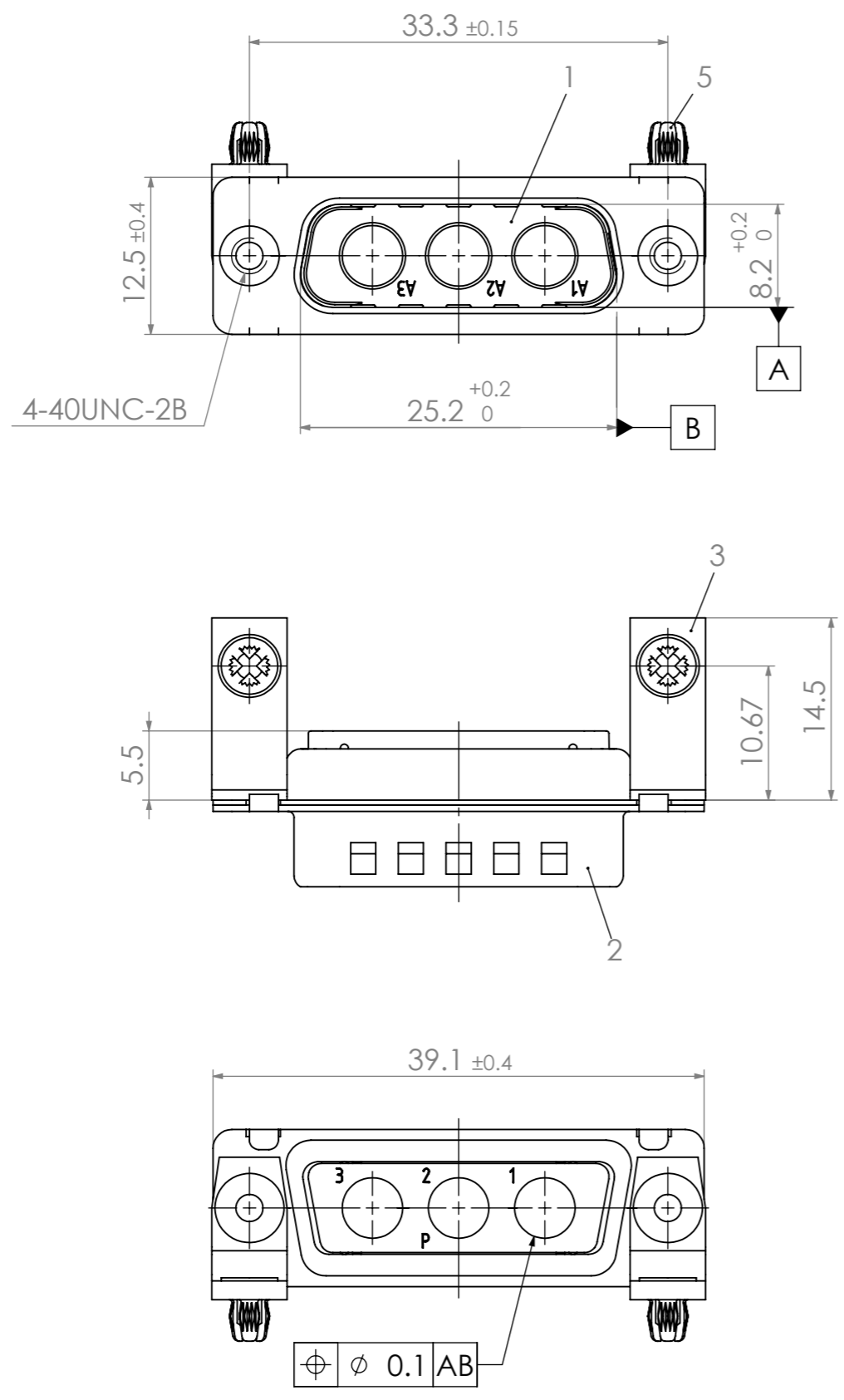
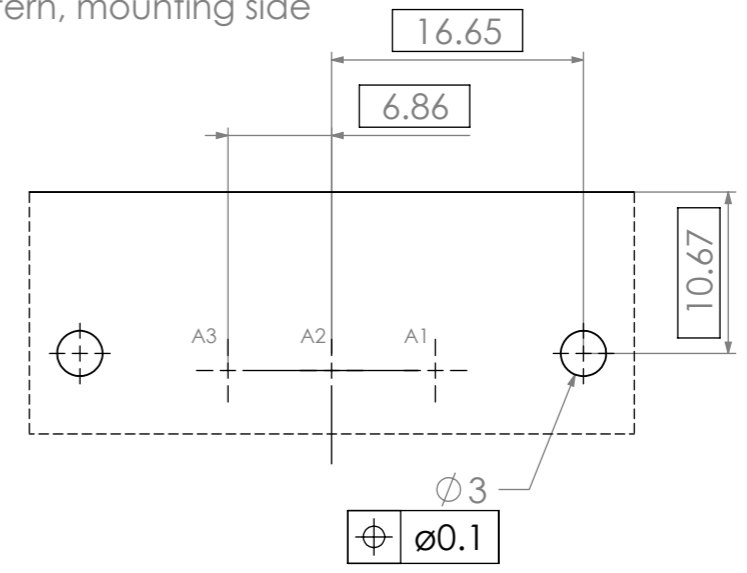


COMMENT:
 ALL RIGHTS ARE RESERVED BY US FOR THIS DRAWING. WITHOUT OUR PRIOR CONSENT,
 IT MAY NEITHER BE DUPLICATED NOR MADE AVAILABLE TO A THIRD PARTY.
 AND IT ALSO MAY NOT BE IMPROPERLY USED BY THE RECEIVER, OR A THIRD PARTY.



PCB hole pattern, mounting side



RoHS compliant
 by exemption

No.	St.	Part	Type Description/Material	Surface plating/Colour/Class
5	2	Snap-in bolt	PCB 1.6mm / Brass	tin plated
4	2	Clinch nut	MW 4-40 / Brass	tin plated
3	2	Bracket	F1080-13B / Steel	tin plated
2	1	Shell	Steel	tin plated
1	1	Insulator	PBT (-55°C - +130°C)	green

SYMBOLS		THIS DRAWING CONTAINS INFORMATION THAT IS PROPRIETARY TO MOLEX ELECTRONIC TECHNOLOGIES, LLC AND SHOULD NOT BE USED WITHOUT WRITTEN PERMISSION			
▽ = 0	▽ = 0	DIMENSION UNITS	SCALE	MEASUREMENTS WITHOUT TOLERANCE ACC. TO ISO 2768-m	
▽ = 0	▽ = 0	mm	2:1	CURRENT REVISION	
▽ = 0	▽ = 0			DRWN: DRAWN BY	tschneider01 30-01-2020
▽ = 0	▽ = 0			APPR: APPR BY	FVetter 06-02-2020
▽ = 0	▽ = 0	2	24130	INITIAL REVISION	
▽ = 0	▽ = 0	1		DRWN: DRAWN BY	MJobst 29-08-2006
▽ = 0	▽ = 0	REV.	CH.-NO.	APPR: APPR BY	ADenzinger 30-08-2006
▽ = 0	▽ = 0	REPLACEMENT FOR:		THIRD ANGLE PROJECTION	DRAWING
▽ = 0	▽ = 0				A3-SIZE
				DOCUMENT NUMBER	FM3W3P-1002
				CUSTOMER	GENERAL MARKET
				MATERIAL NUMBER	731071012
				REVISION	2
				PRODUCT CUSTOMER DRAWING	
				FCT D-Sub Mixed-Layout Connector	
				molex	