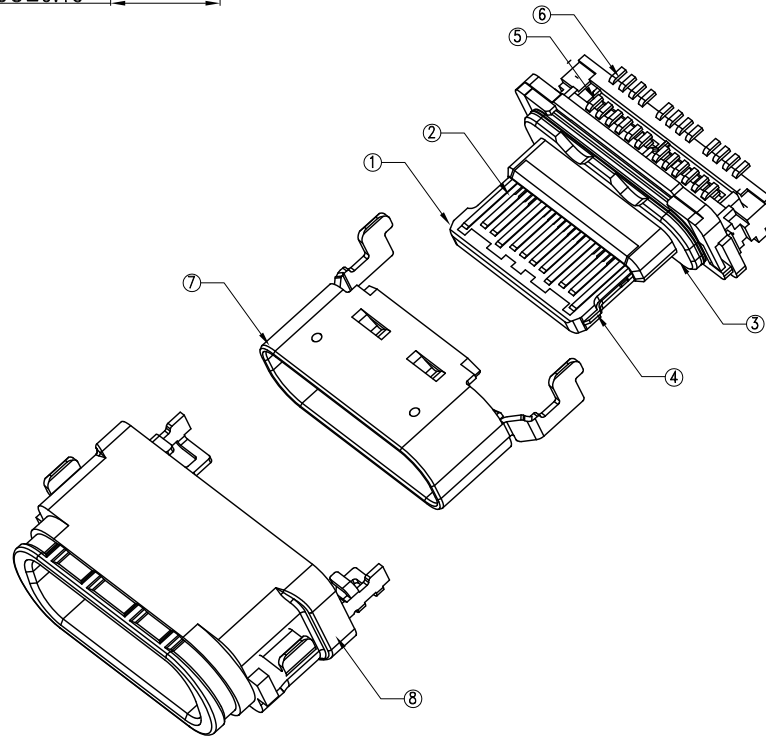
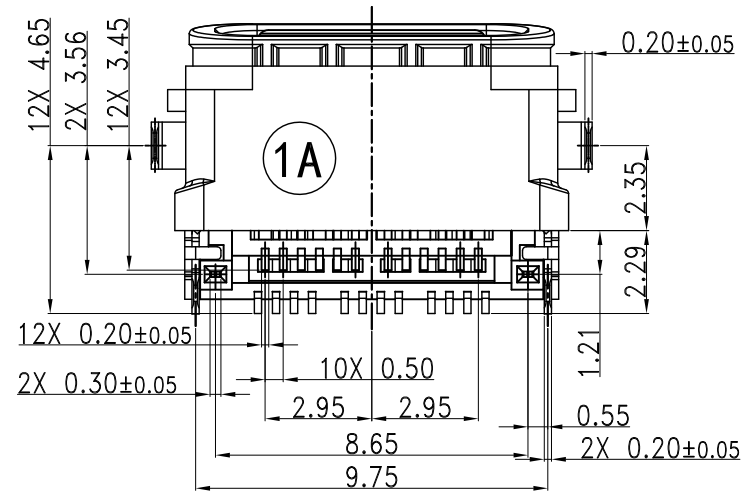
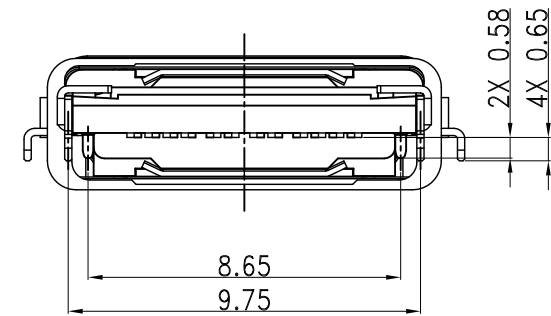
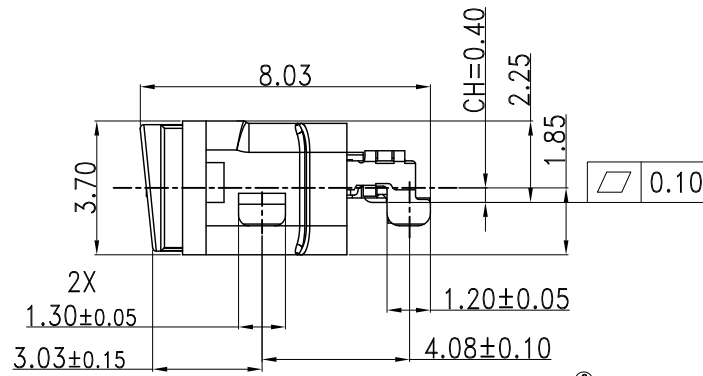
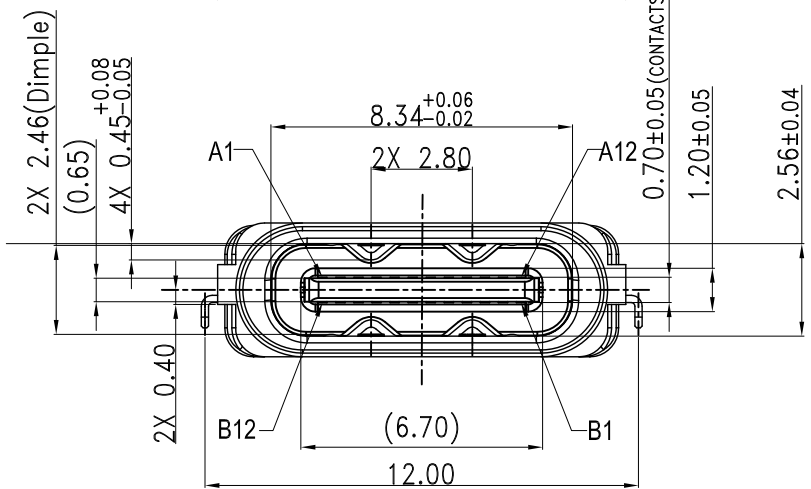
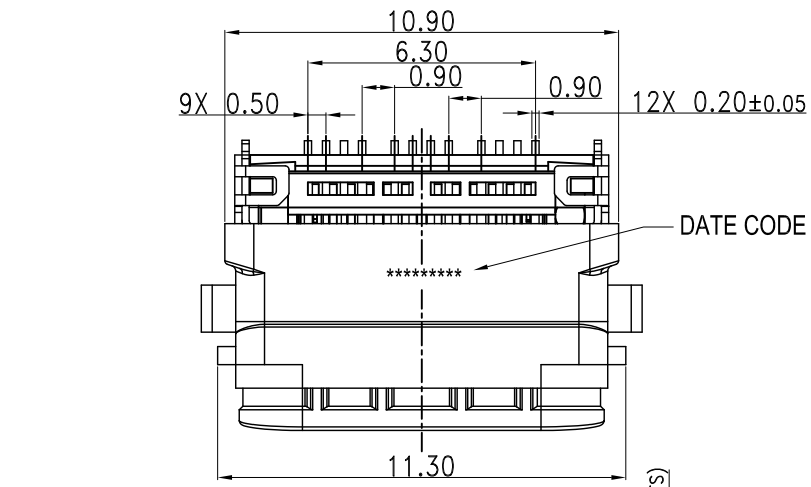


| REV | ECN.NO.  | MODIFY.CONTENT             | DATE       |
|-----|----------|----------------------------|------------|
| X1  | 1706**** | INITIAL RELEASE            | 2017.06.08 |
| X2  | 1707**** | MODIFY DESCRIPTION OF BILL | 2017.07.31 |
| X3  | 1808**** | MODIFY THE DIMENSION       | 2018.08.27 |

| Pin No | Signal Name | Mating Sequence | Pin No | Signal Name | Mating Sequence |
|--------|-------------|-----------------|--------|-------------|-----------------|
| A1     | GND         | First           | B12    | GND         | First           |
| A2     | TX1+        | Second          | B11    | RX1+        | Second          |
| A3     | TX1-        | Second          | B10    | RX1-        | Second          |
| A4     | Vbus        | First           | B9     | Vbus        | First           |
| A5     | CC1         | Second          | B8     | SBU2        | Second          |
| A6     | D+          | Second          | B7     | D-          | Second          |
| A7     | D-          | Second          | B6     | D+          | Second          |
| A8     | SBU1        | Second          | B5     | CC2         | Second          |
| A9     | Vbus        | First           | B4     | Vbus        | First           |
| A10    | RX2-        | Second          | B3     | TX2-        | Second          |
| A11    | RX2+        | Second          | B2     | TX2+        | Second          |
| A12    | GND         | First           | B1     | GND         | First           |
| SHELL  | GND         |                 | SHELL  | GND         |                 |

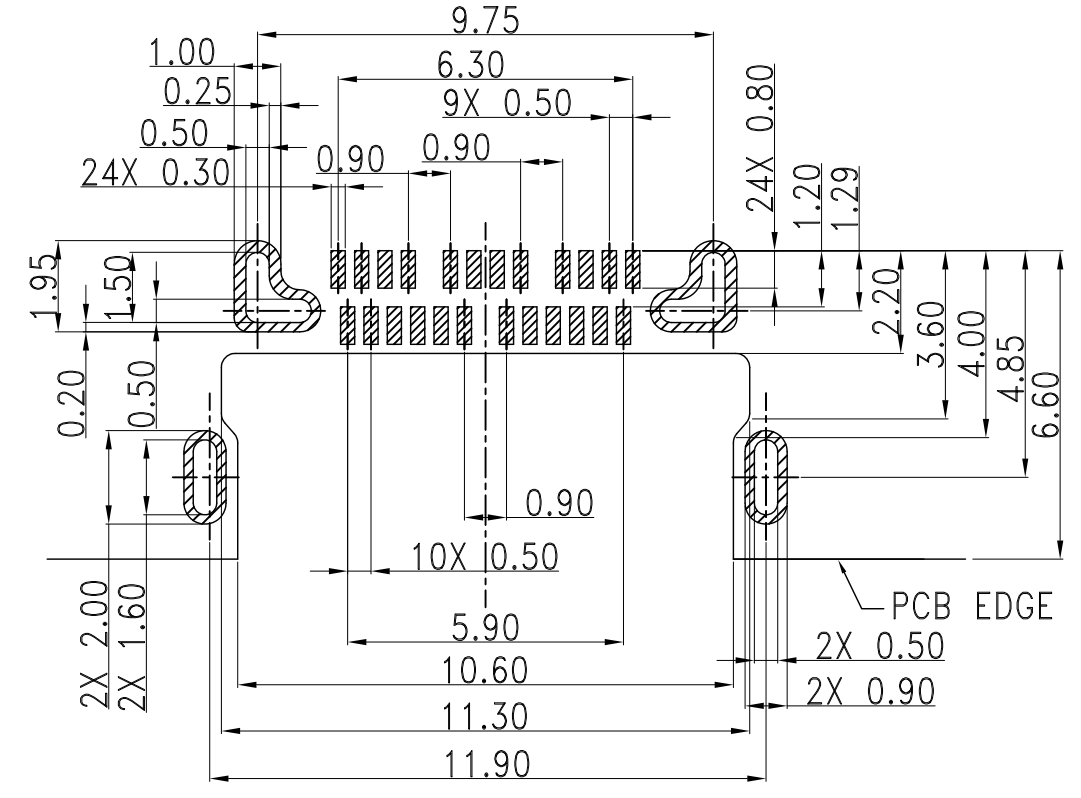
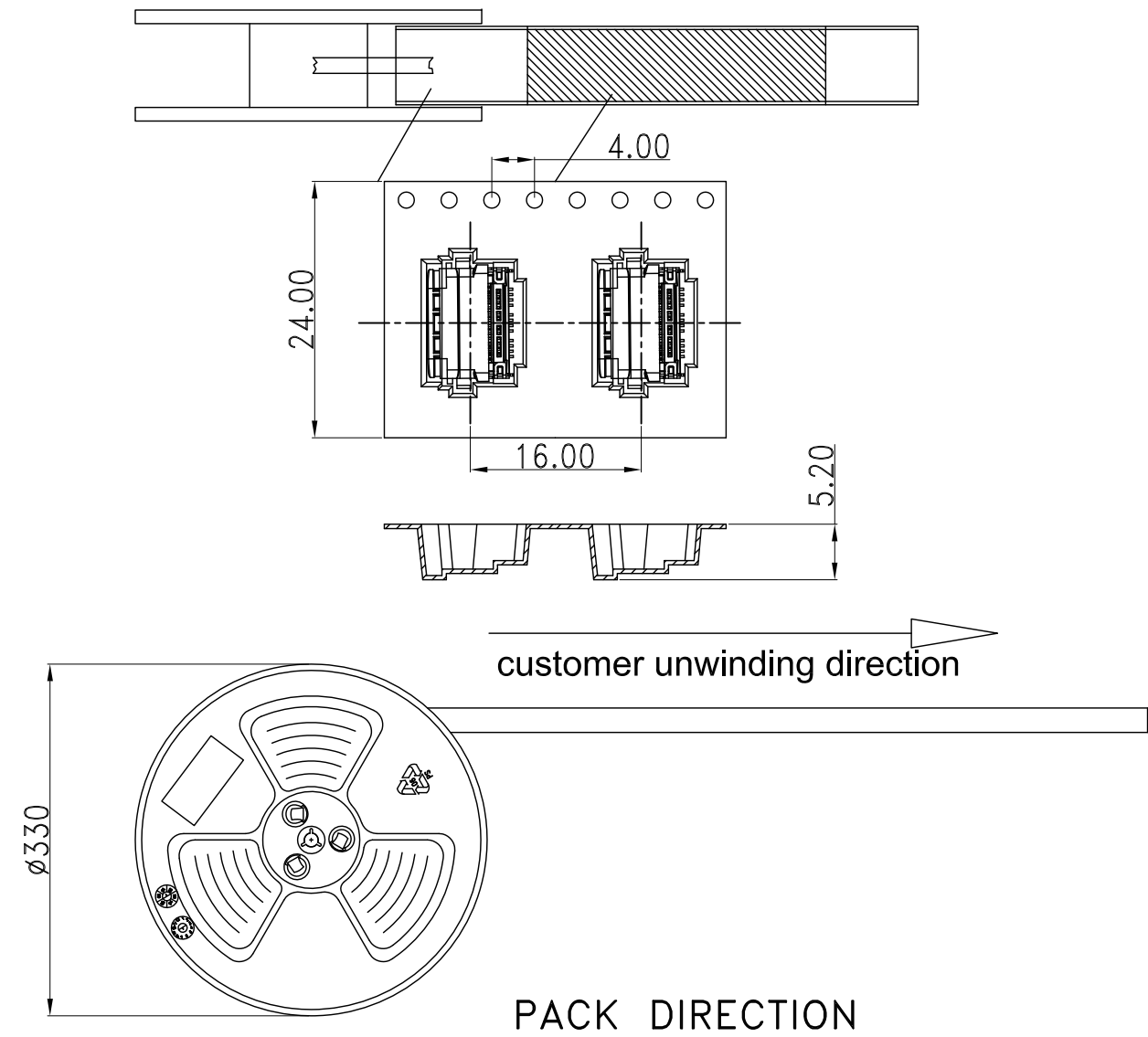
Notes:  
 1.Material:SEE BILL OF MATERIAL  
 2.Tongue position:0.12mm Max.  
 3.No burrs are allowed on the contact area and solder tail area,the maximum allowed stamping burr is 0.05mm unless otherwise.  
 4.Specification  
 Operation Temperature: -40°Cto +85°C  
 Voltage Rating: 30V AC RMS  
 Insulation Resistance: Initial 1000 MΩ Min.  
 100 MΩ after environment test  
 Soldering Heat Resistance: 260°C  
 Durability: 10,000 Cycles  
 Mating force : 5N~20N  
 Un-mating force:6N~20N



| ITEM             | DESCRIPTION     | Q'TY | MATERIAL           | FINISH                   |
|------------------|-----------------|------|--------------------|--------------------------|
| 8                | SHELL HOUSING   | 1    | High-TEMP. PLASTIC | BLACK                    |
| 7                | SHELL           | 1    | STAINLESS STEEL    | SOLDER NICKEL: 50U" MIN  |
| 6                | TOP TERMINAL    | 1    | COPPER ALLOY       | MATING SIDE:30u" AU MIN; |
| 5                | BOTTOM TERMINAL | 1    | COPPER ALLOY       | MATING SIDE:30u" AU MIN; |
| 4                | MID PLATE       | 1    | STAINLESS STEEL    | SOLDER NICKEL: 50U" MIN  |
| 3                | TOP HOUSING     | 1    | High-TEMP. PLASTIC | BLACK                    |
| 2                | BOTTOM HOUSING  | 1    | High-TEMP. PLASTIC | BLACK                    |
| 1                | MAIN HOUSING    | 1    | High-TEMP. PLASTIC | BLACK                    |
| BILL OF MATERIAL |                 |      |                    |                          |

|                   |           |          |          |          |                      |          |           |                            |            |       |     |
|-------------------|-----------|----------|----------|----------|----------------------|----------|-----------|----------------------------|------------|-------|-----|
| GENERAL TOLERANCE | TOLERANCE | FILE.NO. | 12401839 | PART.NO. | 124018392112A        | DRAWN    | Dave.Ye   | MATERIAL                   |            | SCALE | 4:1 |
| X.±0.50           | x.°±5°    | REV.     | X3       | TITLE    | USB TYPE C CONNECTOR | CHECKED  | Weison.Lu | DATE                       | 2017.08.27 | UNIT  | MM  |
| .X±0.38           | .x°±2°    | SIZE     |          | SHEET    | 1/2                  | APPROVED | Tom       | Amphenol Shouhmin Industry |            |       |     |
| .XX±0.25          | .xx±1°    | A4       |          |          |                      |          |           |                            |            |       |     |

| REV | ECN.NO. | MODIFY.CONTENT | DATE |
|-----|---------|----------------|------|
|     |         |                |      |
|     |         |                |      |
|     |         |                |      |



RECOMMENDED PCB LAYOUT  
(Tolerance= $\pm 0.05$ )

|                                 |                                     |          |                 |          |                             |          |                  |                            |                   |       |            |
|---------------------------------|-------------------------------------|----------|-----------------|----------|-----------------------------|----------|------------------|----------------------------|-------------------|-------|------------|
| GENERAL                         | TOLERANCE                           | FILE.NO. | <b>12401839</b> | PART.NO. | <b>124018392112A</b>        | DRAWN    | <b>Dave.Ye</b>   | MATERIAL                   |                   | SCALE | <b>4:1</b> |
| <b>X<math>\pm 0.50</math></b>   | <b>x. <math>\pm 5^\circ</math></b>  | REV.     | <b>X3</b>       | TITLE    | <b>USB TYPE C CONNECTOR</b> | CHECKED  | <b>Weison.Lu</b> | DATE                       | <b>2017.08.27</b> | UNIT  | <b>MM</b>  |
| <b>.X<math>\pm 0.38</math></b>  | <b>.x <math>\pm 2^\circ</math></b>  | SIZE     |                 | SHEET    | <b>2/2</b>                  | APPROVED | <b>Tom</b>       | Amphenol Shouhmin Industry |                   |       |            |
| <b>.XX<math>\pm 0.25</math></b> | <b>.xx <math>\pm 1^\circ</math></b> | A4       |                 |          |                             |          |                  |                            |                   |       |            |