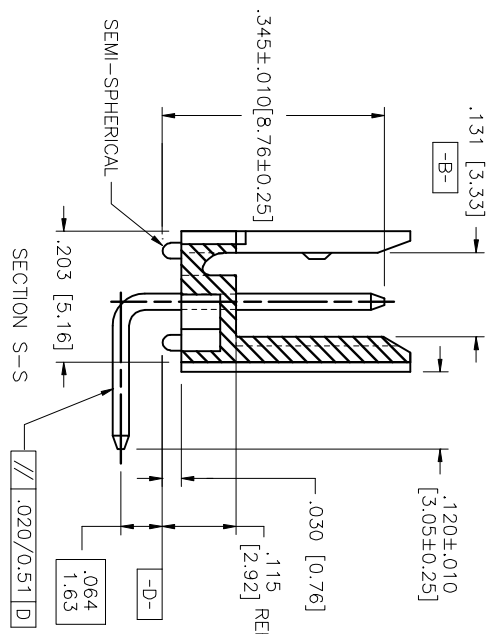
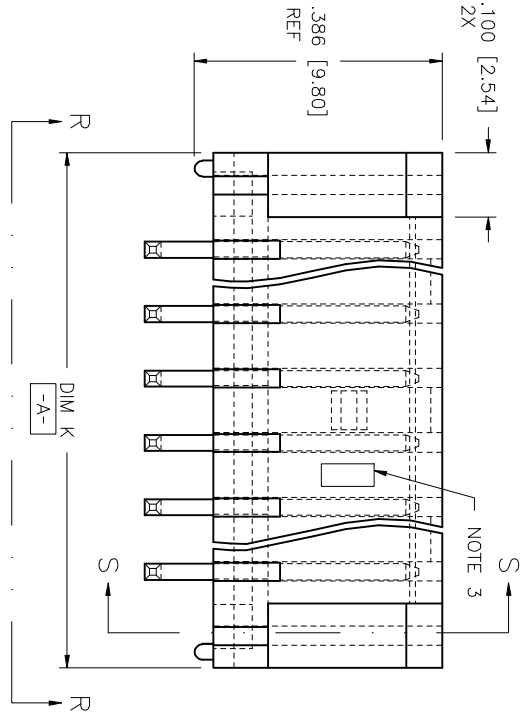
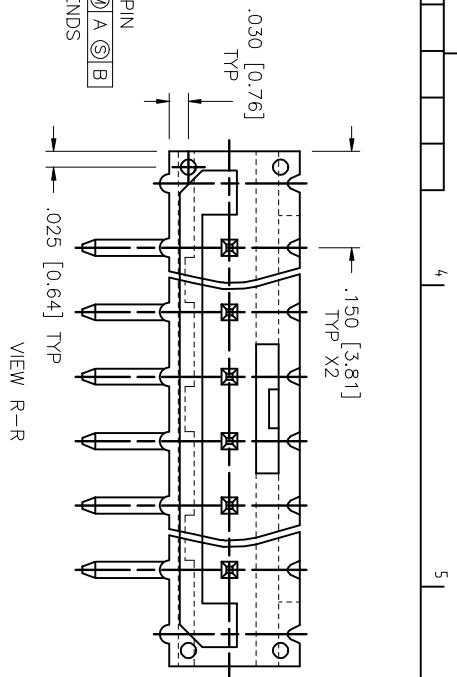
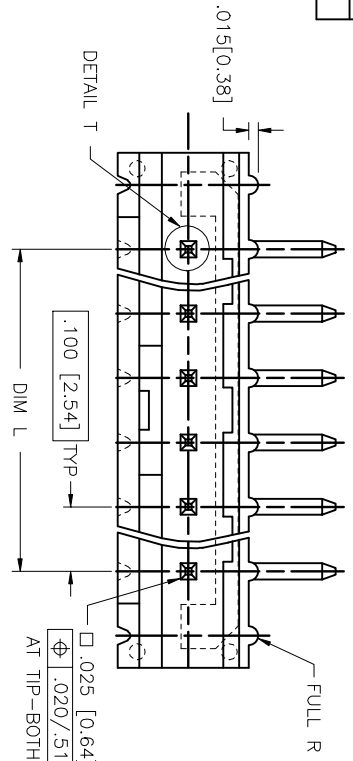


PRODUCT NO.
SEE TABLE



NOTE 4
DETAIL T
SCALE 2:1

Item	ECN no	Dr	Date	Surface	Tolerance	projection	product family
A	V60842	EPK	6/3/96	ISO 902	ISO 901	ISO 901	HEADER
B	C71289	HTB	9/22/97	Reference mass otherwise specified	ASME/ANSI	INCH/MM	CLINCHER™ LATCH HEADER
C	M06-0104	MHT	7/15/05	0±.02	ASME/ANSI	Scale 4:1	RIGHT ANGLE
D	M06-0052	MHT	7/30/06		ASME/ANSI		
E	M06-0233	ACS	6/13/06		ASME/ANSI		
F	M06-0469	MHT	11/28/06		ASME/ANSI		
G	M09-0039	MHT	4/16/09		ASME/ANSI		
H							
I							
J							
K							
L							
M							
N							
O							
P							
Q							
R							
S							
T							
U							
V							
W							
X							
Y							
Z							

