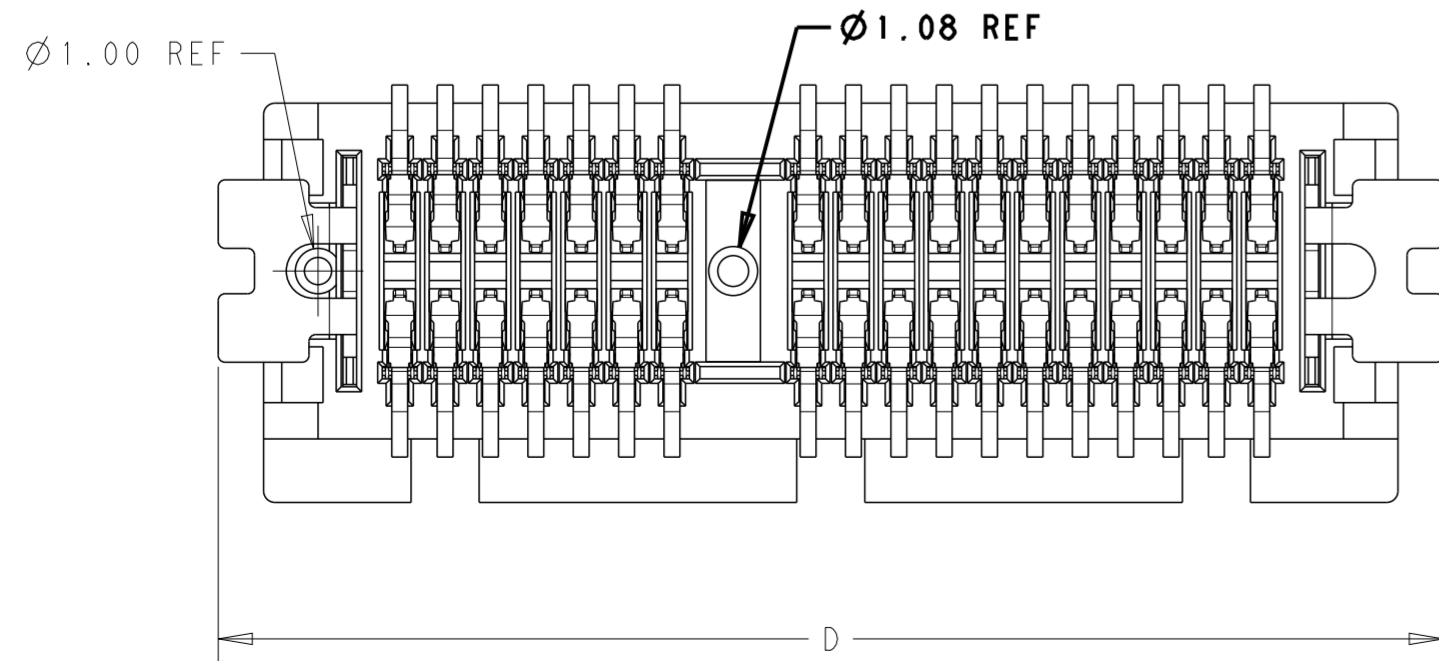
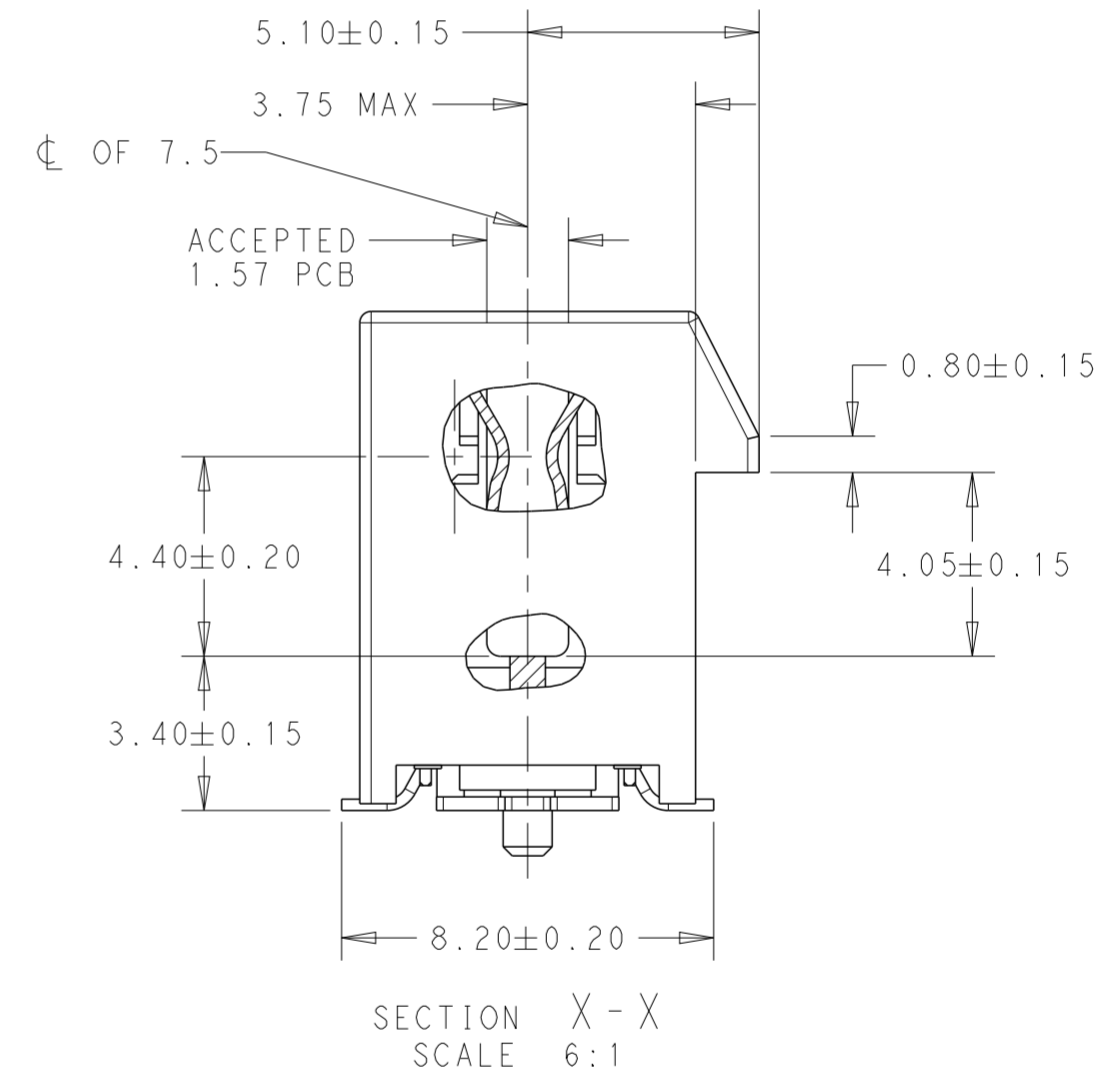
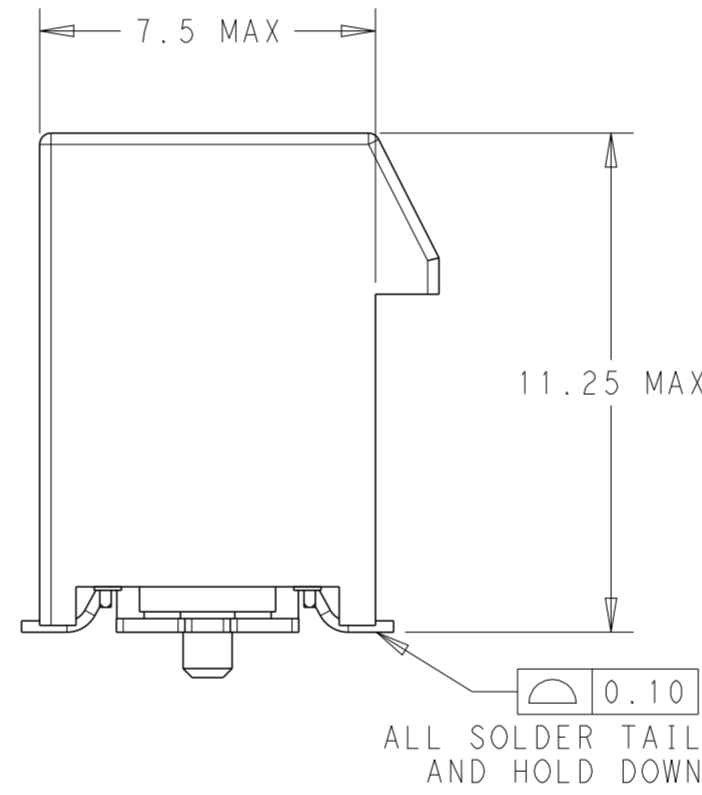
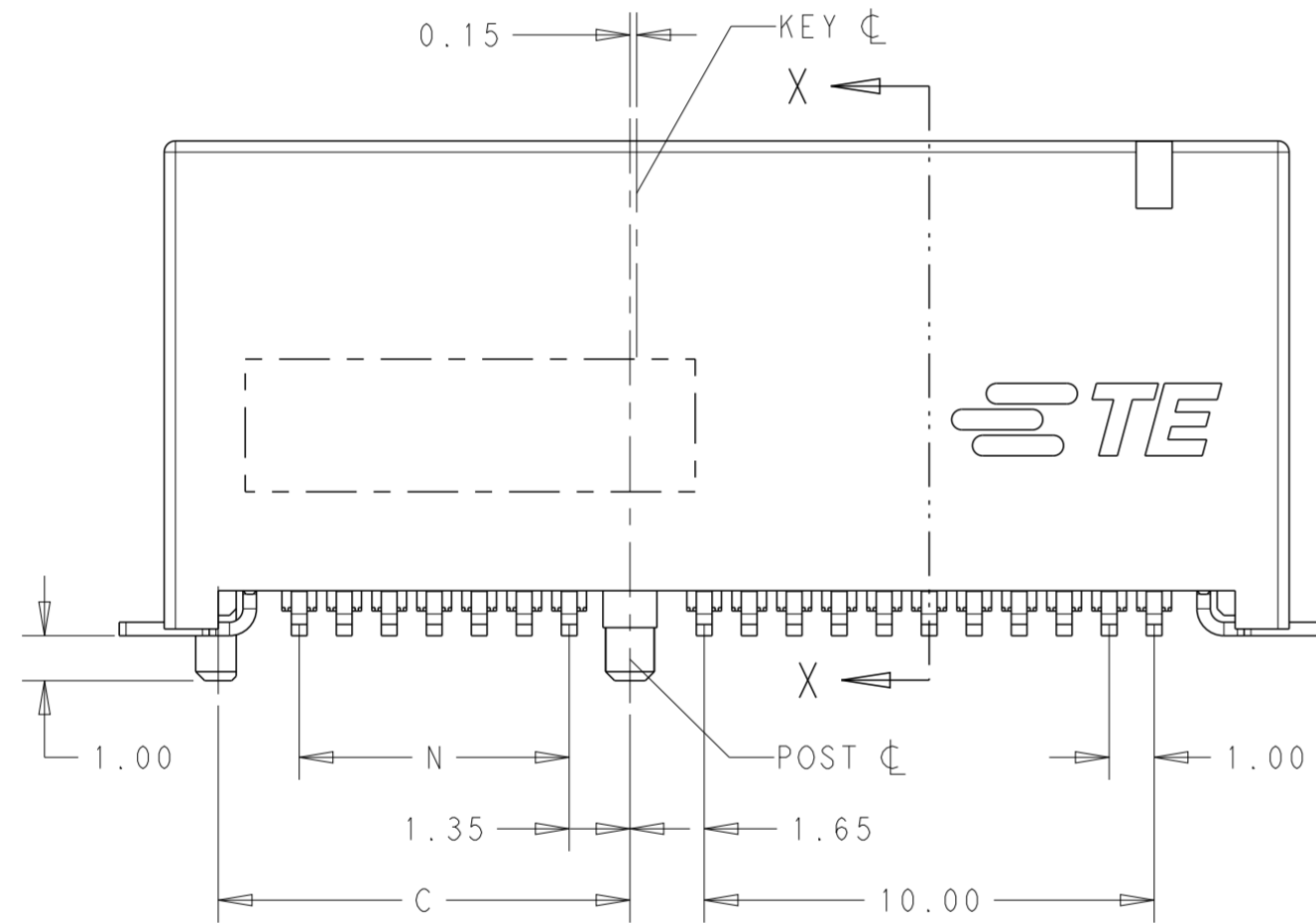
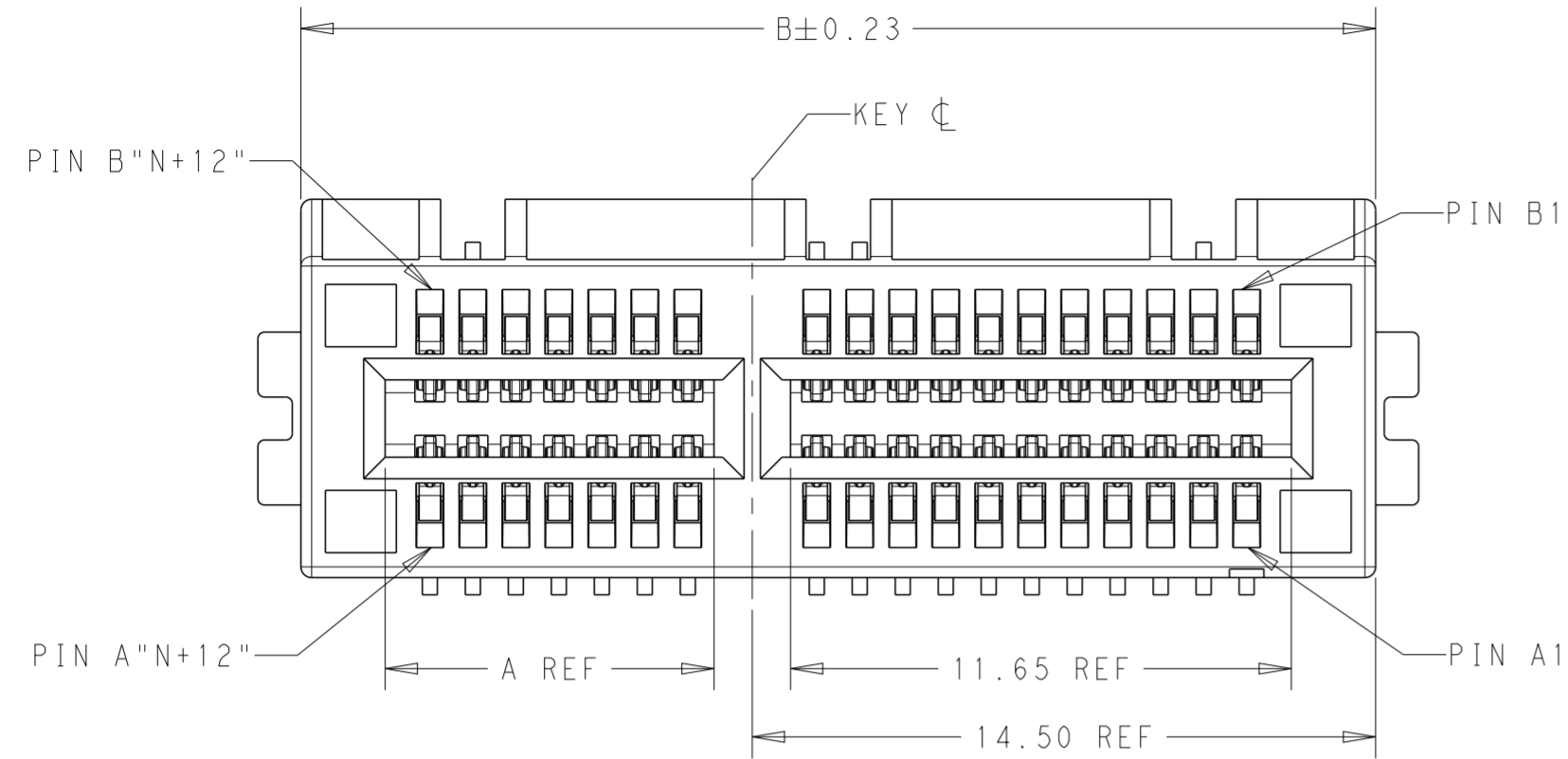


THIS DRAWING IS UNPUBLISHED. RELEASED FOR PUBLICATION 20
 © COPYRIGHT 20 BY - ALL RIGHTS RESERVED.

REVISIONS				
P	LTR	DESCRIPTION	DATE	APVD
F		ECR-21-119335	25JUN2022	TL HL

NOTES:

- 1 MATERIAL:
HOUSING: LCP UL94V-0; BLACK
CONTACT: COPPER ALLOY
HOLD DOWN: BRASS
- 2 FINISH:
(SEE TABLE)um GOLD PLATING ON CONTACT AREA.
2.54um MATTE-TIN PLATING ON SOLDER TAIL AREA.
1.27um NICKEL UNDERPLATING OVERALL.
- 3 PARTS WITH POS 36 ARE NOT TOOLED


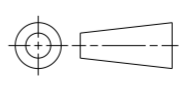


THIS DRAWING IS A CONTROLLED DOCUMENT.		DWN FRED LIU 12JUN2018	TE Connectivity	
DIMENSIONS: mm		CHK HOPE LU 12JUN2018		
TOLERANCES UNLESS OTHERWISE SPECIFIED:		APVD HOPE LU 12JUN2018	NAME PCI EXPRESS CARD EDGE CONNECTOR	
0 PLC \pm	1 PLC ± 0.3	PRODUCT SPEC	GEN4, STANDARD VERSION	
2 PLC ± 0.20	3 PLC ± 0.050	APPLICATION SPEC	SIZE	CAGE CODE
4 PLC \pm	ANGLES \pm	FINISH	A200779	C-2337939
MATERIAL	1	2	DRAWING NO	
			RESTRICTED TO	
CUSTOMER DRAWING			SCALE 3:1	SHEET 1 OF 6
			REV F	

THIS DRAWING IS UNPUBLISHED. RELEASED FOR PUBLICATION 20
 © COPYRIGHT 20 BY - ALL RIGHTS RESERVED.

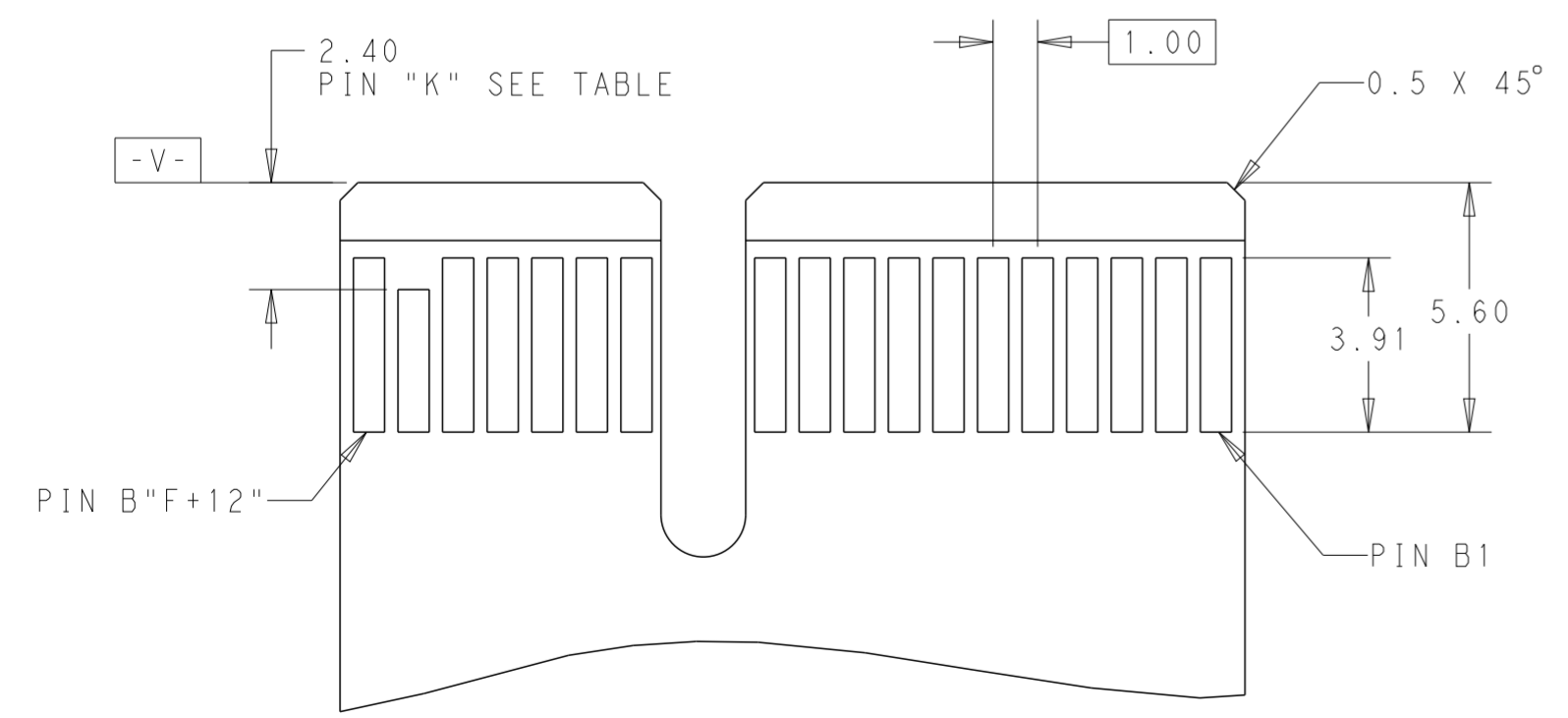
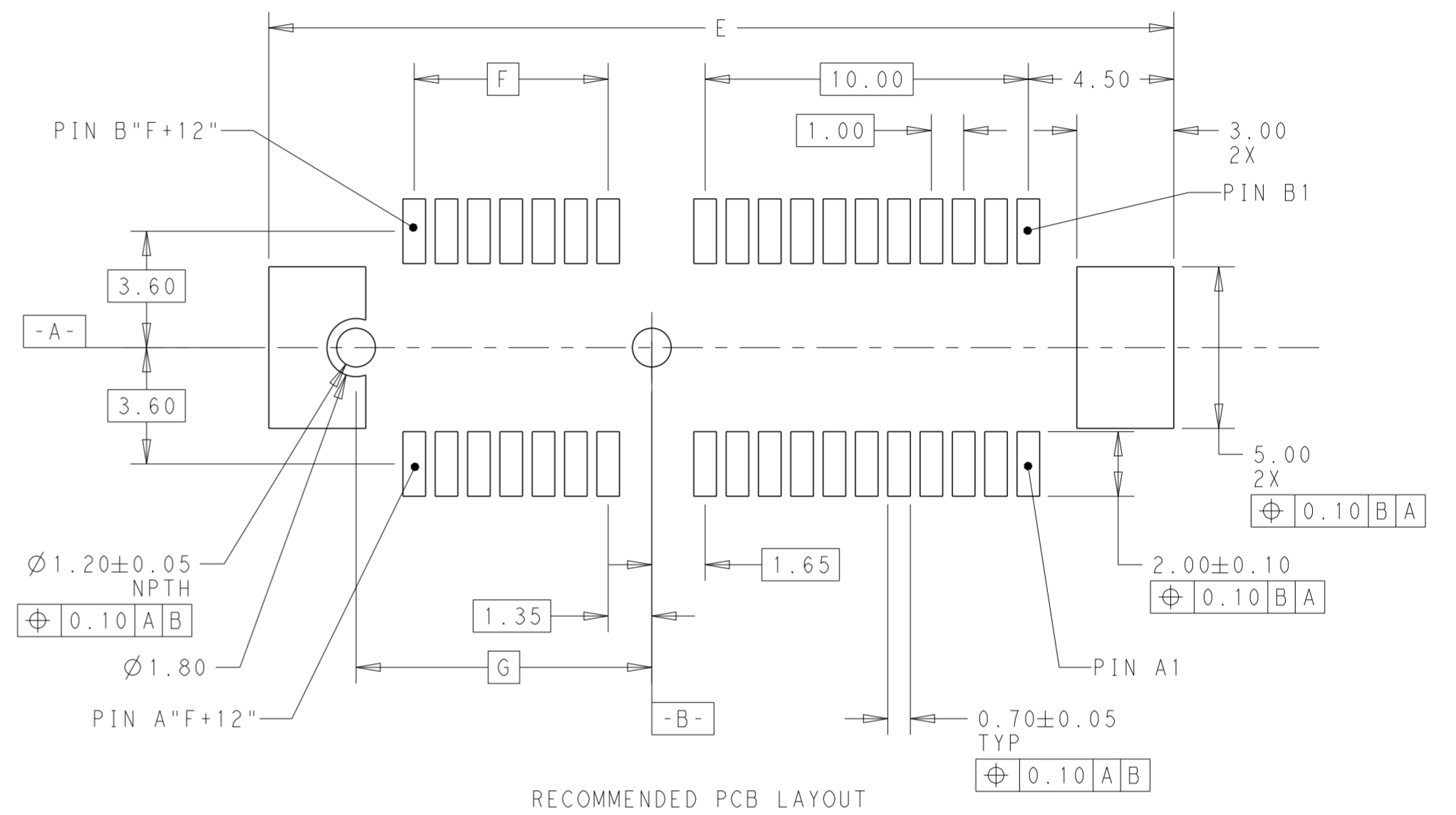
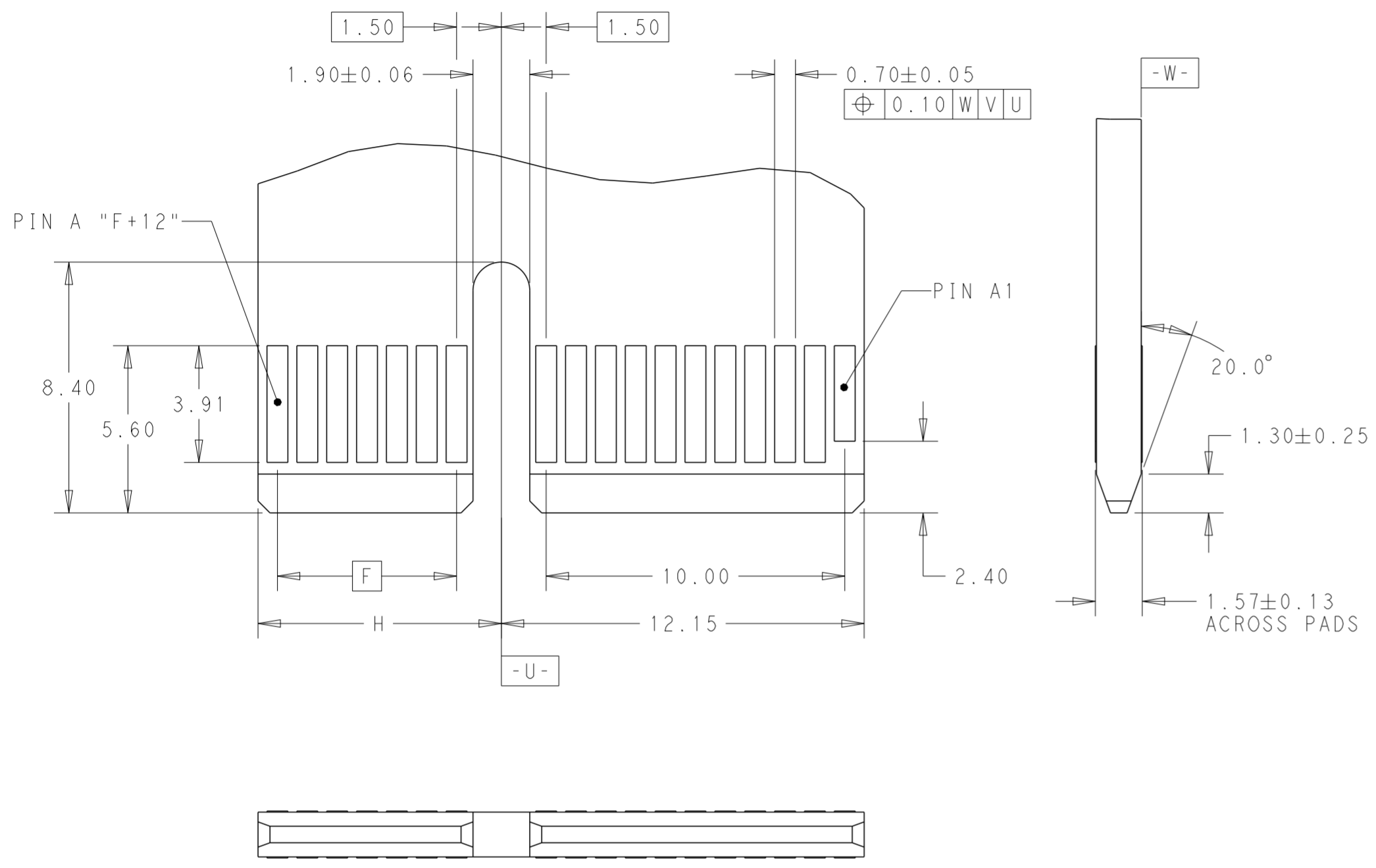
REVISIONS				
P	LTR	DESCRIPTION	DATE	APVD
-	-	SEE SHEET 1	-	-

PACKAGE	PRODUCT SPEC	GOLD PLATING	W	V	J	D	N	C	B	A	POS.	PART NUMBER
			MYLAR SIZE (PAGE 4)									
PACKAGE 2	108-60121	30u"	45.0	8.0	44.5	91	70	73.15	89	71.65	164	7-2337939-4
PACKAGE 1		30u"	86.5	44.5	91	70	73.15	89	71.65	164	5-2337939-8	
PACKAGE 4		30u"	53.5	28	58	37	40.15	56	38.65	98	5-2337939-7	
PACKAGE 3		30u"	36.5	19.5	41	20	23.15	39	21.65	64	5-2337939-6	
NA		30u"	22.5	12.5	27	6	9.15	25	7.65	36	5-2337939-5	
PACKAGE 1		30u"	10.0	44.5	91	70	73.15	89	71.65	164	5-2337939-4	
PACKAGE 4		30u"	10.0	28	58	37	40.15	56	38.65	98	5-2337939-3	
PACKAGE 3		30u"	10.0	19.5	41	20	23.15	39	21.65	64	5-2337939-2	
NA		30u"	10.0	12.5	27	6	9.15	25	7.65	36	5-2337939-1	
PACKAGE 1		108-60121-1	15u"	86.5	8.0	44.5	91	70	73.15	89	71.65	164
PACKAGE 4	15u"		53.5	28	58	37	40.15	56	38.65	98	4-2337939-7	
PACKAGE 3	15u"		36.5	19.5	41	20	23.15	39	21.65	64	4-2337939-6	
NA	15u"		22.5	12.5	27	6	9.15	25	7.65	36	4-2337939-5	
PACKAGE 1	15u"		10.0	44.5	91	70	73.15	89	71.65	164	4-2337939-4	
PACKAGE 4	15u"		10.0	28	58	37	40.15	56	38.65	98	4-2337939-3	
PACKAGE 3	15u"		10.0	19.5	41	20	23.15	39	21.65	64	4-2337939-2	
NA	15u"		10.0	12.5	27	6	9.15	25	7.65	36	4-2337939-1	
PACKAGE 1	G/F		86.5	44.5	91	70	73.15	89	71.65	164	3-2337939-8	
PACKAGE 4	G/F		53.5	28	58	37	40.15	56	38.65	98	3-2337939-7	
PACKAGE 3	G/F	36.5	19.5	41	20	23.15	39	21.65	64	3-2337939-6		
NA	G/F	22.5	12.5	27	6	9.15	25	7.65	36	3-2337939-5		
PACKAGE 1	G/F	10.0	44.5	91	70	73.15	89	71.65	164	3-2337939-4		
PACKAGE 4	G/F	10.0	28	58	37	40.15	56	38.65	98	3-2337939-3		
PACKAGE 3	G/F	10.0	19.5	41	20	23.15	39	21.65	64	3-2337939-2		
NA	G/F	10.0	12.5	27	6	9.15	25	7.65	36	3-2337939-1		
PACKAGE 2	108-60121	30u"	NA	44.5	91	70	73.15	89	71.65	164	2-2337939-5	
PACKAGE 1		30u"	NA	44.5	91	70	73.15	89	71.65	164	2-2337939-4	
PACKAGE 4		30u"	NA	28	58	37	40.15	56	38.65	98	2-2337939-3	
PACKAGE 3		30u"	NA	19.5	41	20	23.15	39	21.65	64	2-2337939-2	
NA	30u"	NA	12.5	27	6	9.15	25	7.65	36	2-2337939-1		
PACKAGE 1	108-60121-1	15u"	NA	44.5	91	70	73.15	89	71.65	164	6-2337939-4	
PACKAGE 4		15u"	NA	28	58	37	40.15	56	38.65	98	6-2337939-3	
PACKAGE 3		15u"	NA	19.5	41	20	23.15	39	21.65	64	6-2337939-2	
NA		15u"	NA	12.5	27	6	9.15	25	7.65	36	6-2337939-1	
PACKAGE 1		G/F	NA	44.5	91	70	73.15	89	71.65	164	2337939-4	
PACKAGE 4		G/F	NA	28	58	37	40.15	56	38.65	98	2337939-3	
PACKAGE 3		G/F	NA	19.5	41	20	23.15	39	21.65	64	2337939-2	
NA	G/F	NA	12.5	27	6	9.15	25	7.65	36	2337939-1		

THIS DRAWING IS A CONTROLLED DOCUMENT.		DWN FRED LIU 12JUN2018	 TE Connectivity NAME PCI EXPRESS CARD EDGE CONNECTOR GEN4 , STANDARD VERSION
DIMENSIONS: mm		CHK HOPE LU 12JUN2018	
		APVD HOPE LU 12JUN2018	
TOLERANCES UNLESS OTHERWISE SPECIFIED: 0 PLC ± 1 PLC ±0.3 2 PLC ±0.20 3 PLC ±0.050 4 PLC ± ANGLES ± FINISH		PRODUCT SPEC APPLICATION SPEC WEIGHT	
MATERIAL	-	CUSTOMER DRAWING	SIZE A2 CAGE CODE 00779 DRAWING NO C-2337939 RESTRICTED TO - SCALE 3:1 SHEET 2 OF 6 REV F

THIS DRAWING IS UNPUBLISHED. RELEASED FOR PUBLICATION 20
 © COPYRIGHT 20 BY - ALL RIGHTS RESERVED.

REVISIONS					
P	LTR	DESCRIPTION	DATE	DWN	APVD
-	-	SEE SHEET 1	-	-	-



POS.	DIM. E	DIM. F	DIM. G	DIM. H	"K"
164	92.00	70	73.15	72.15	A1,B17,B31,B48,B81
98	59.00	37	40.15	39.15	A1,B17,B31,B48
64	42.00	20	23.15	22.15	A1,B17,B31
36	28.00	6	9.15	8.15	A1,B17

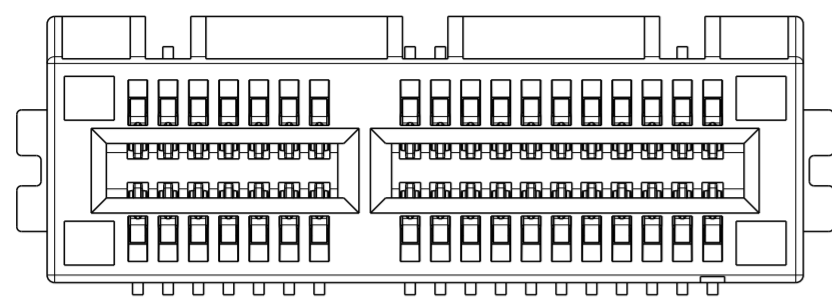
THIS DRAWING IS A CONTROLLED DOCUMENT.

DWN FRED LIU 12JUN2018	 TE Connectivity PCI EXPRESS CARD EDGE CONNECTOR GEN4, STANDARD VERSION
CHK HOPE LU 12JUN2018	
APVD HOPE LU 12JUN2018	
NAME	
DIMENSIONS: mm	TOLERANCES UNLESS OTHERWISE SPECIFIED: 0 PLC ± 1 PLC ±0.3 2 PLC ±0.20 3 PLC ±0.050 4 PLC ± ANGLES ± FINISH
MATERIAL	PRODUCT SPEC APPLICATION SPEC WEIGHT
CUSTOMER DRAWING	SCALE 3:1 SHEET 3 OF 6 REV F

THIS DRAWING IS UNPUBLISHED. RELEASED FOR PUBLICATION 20
 © COPYRIGHT 20 BY - ALL RIGHTS RESERVED.

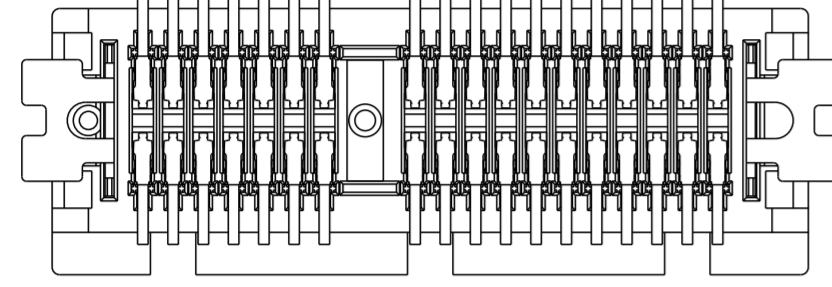
REVISIONS					
P	LTR	DESCRIPTION	DATE	DWN	APVD
-		SEE SHEET 1	-	-	-

FRONT VIEW

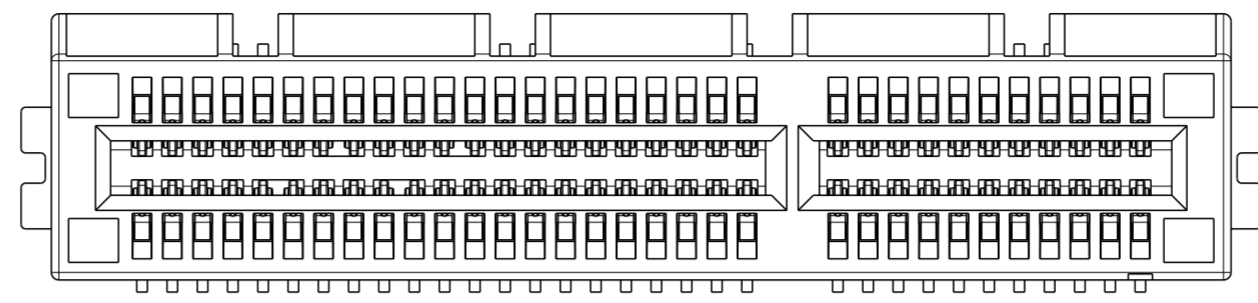


36POS AS SHOWN

REAR VIEW

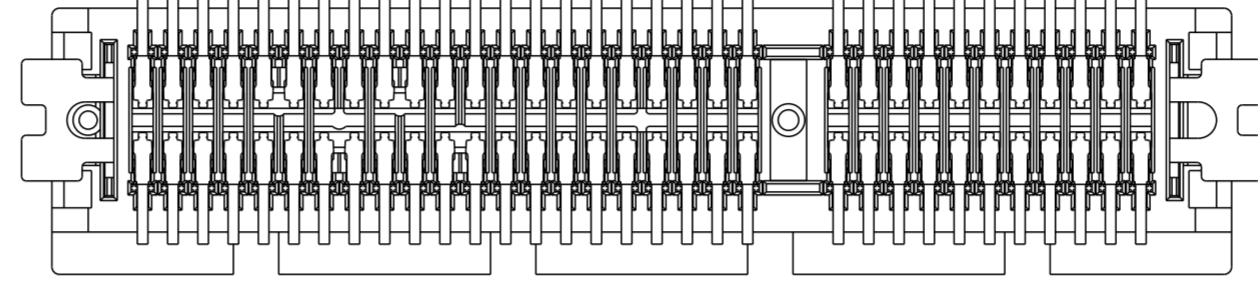


FRONT VIEW

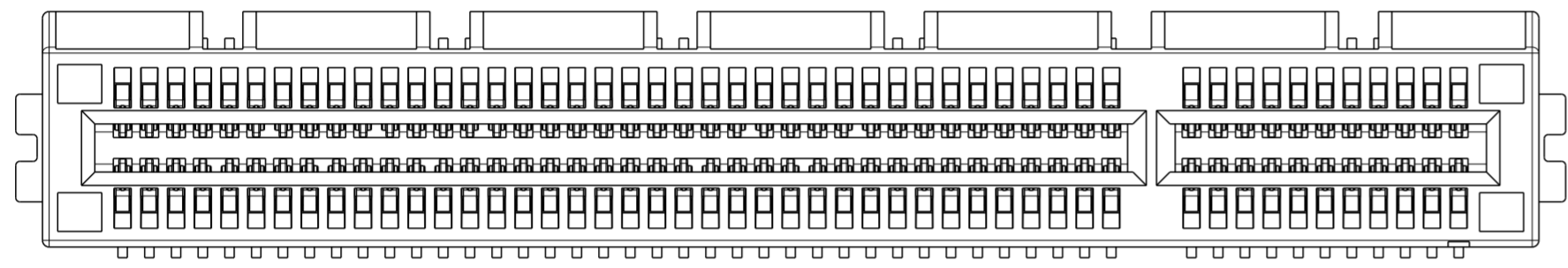


64POS AS SHOWN

REAR VIEW

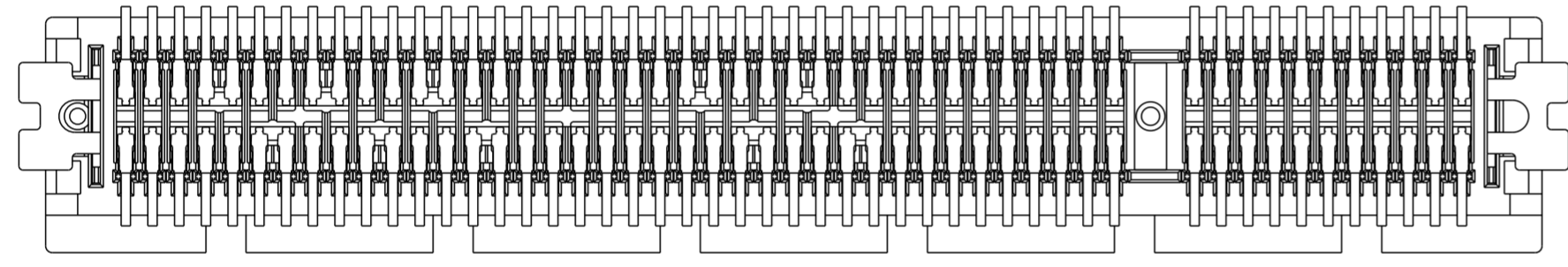


FRONT VIEW

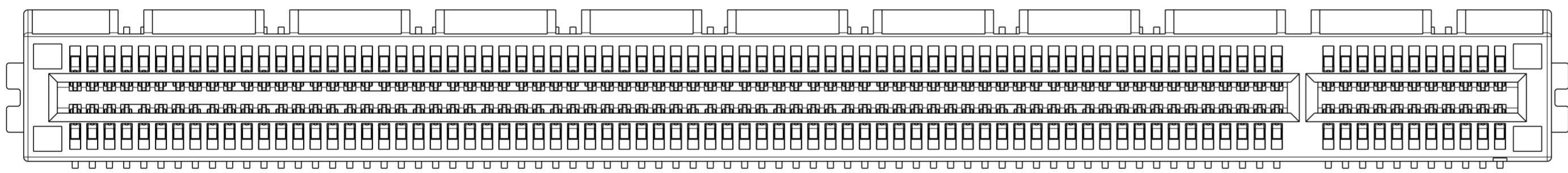


98POS AS SHOWN

REAR VIEW

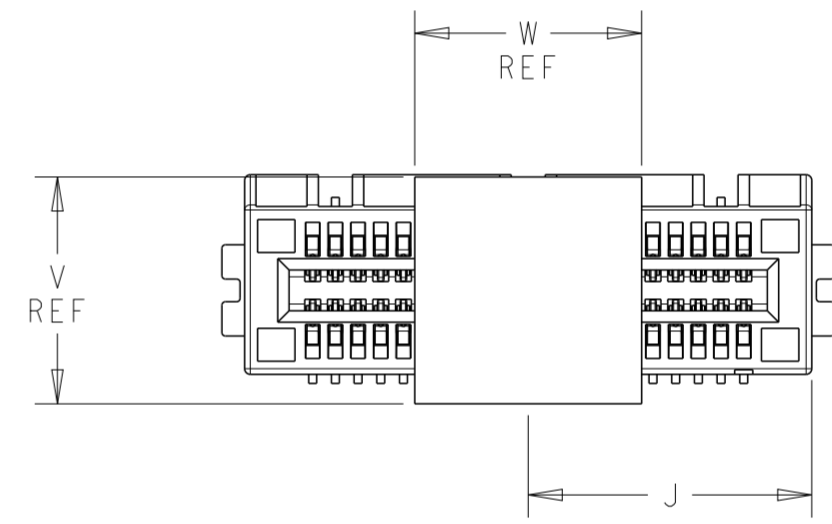
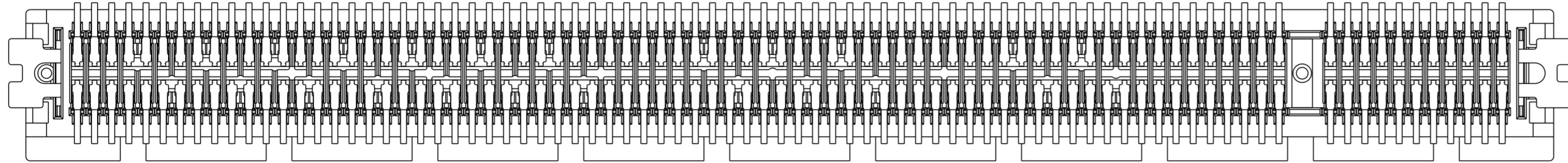


FRONT VIEW



164POS AS SHOWN

REAR VIEW

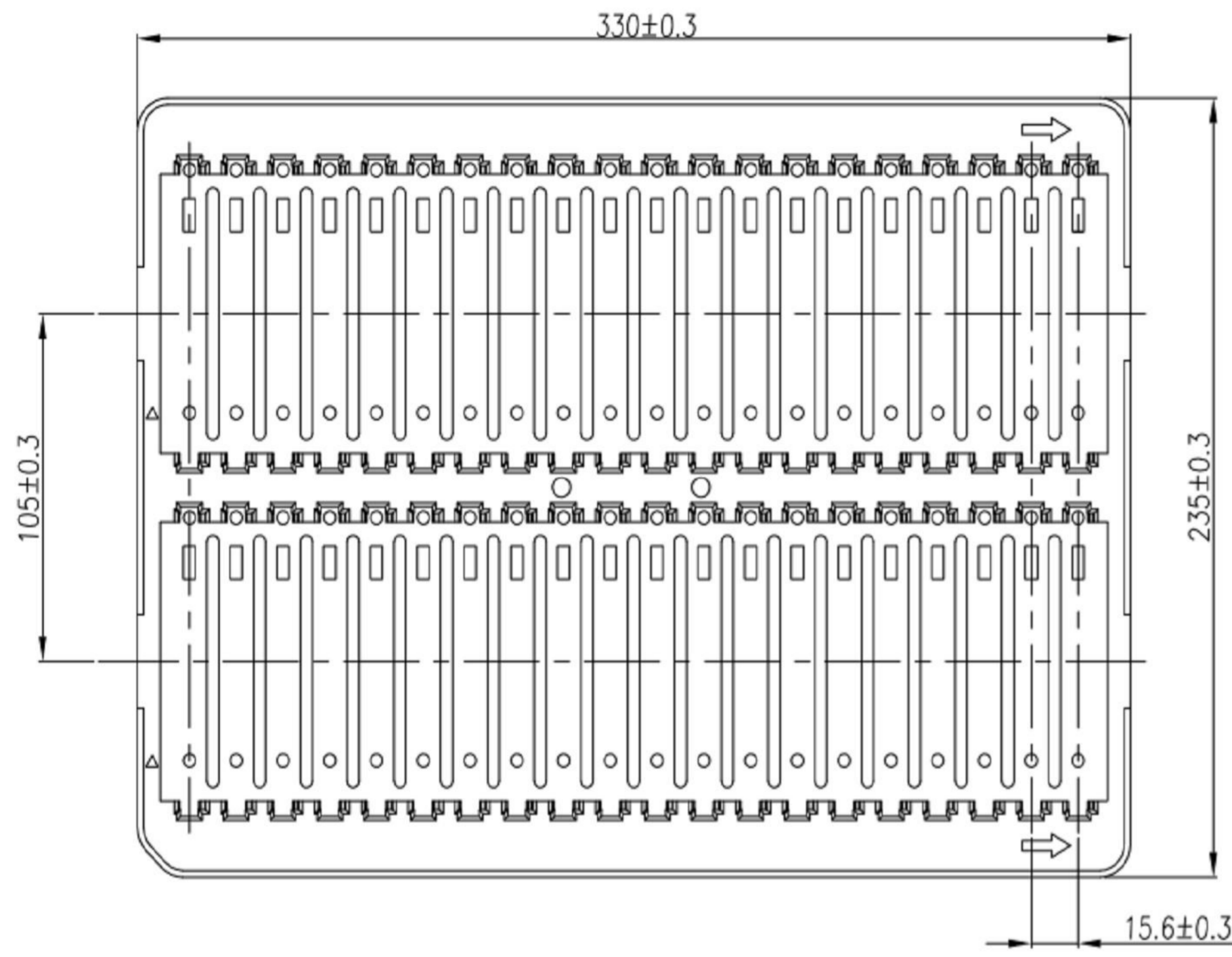


MYLAR SIZE

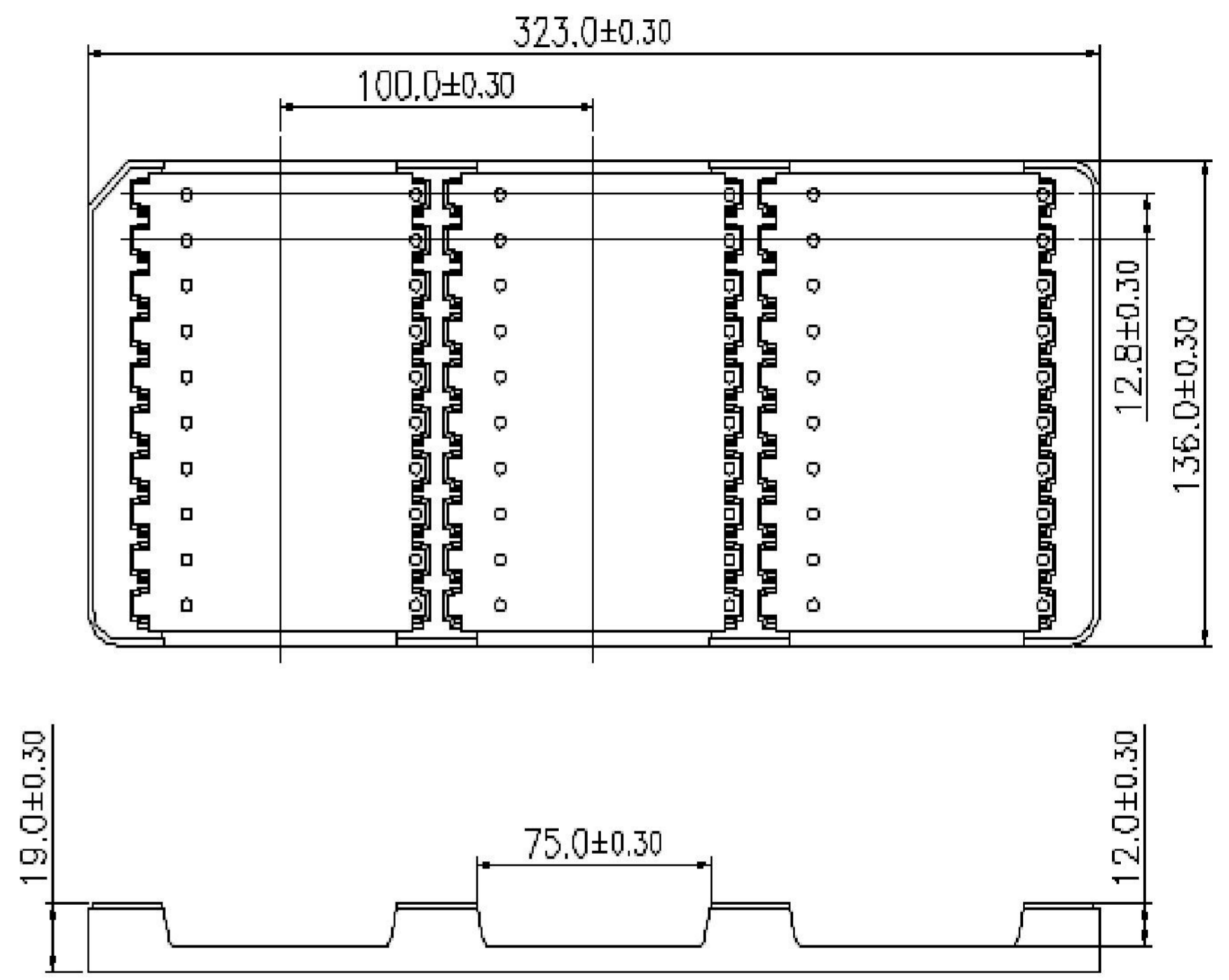
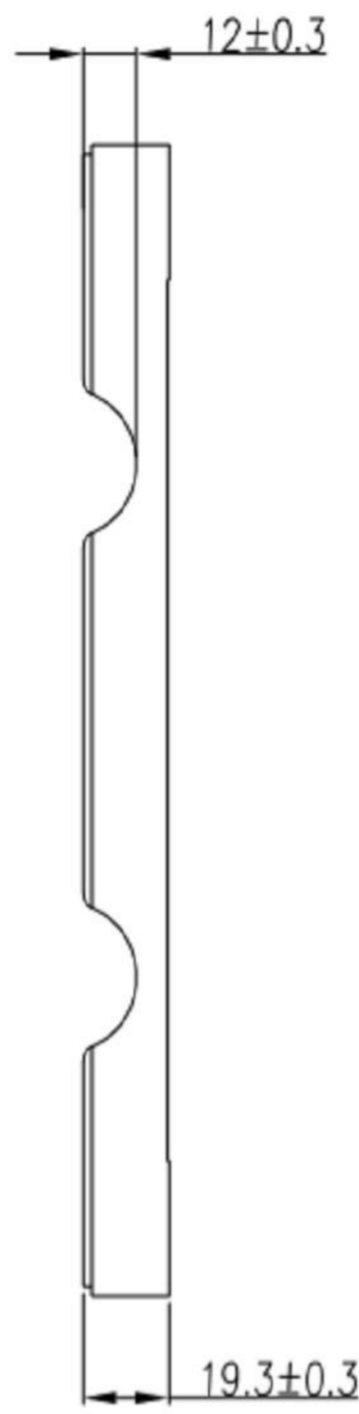
THIS DRAWING IS A CONTROLLED DOCUMENT.		DWN FRED LIU 12JUN2018	TE Connectivity																							
DIMENSIONS: mm		CHK HOPE LU 12JUN2018																								
TOLERANCES UNLESS OTHERWISE SPECIFIED:		APVD HOPE LU 12JUN2018	NAME PCI EXPRESS CARD EDGE CONNECTOR																							
<table border="0"> <tr> <td>0 PLC</td><td>±</td><td></td></tr> <tr> <td>1 PLC</td><td>±0.3</td><td></td></tr> <tr> <td>2 PLC</td><td>±0.20</td><td></td></tr> <tr> <td>3 PLC</td><td>±0.050</td><td></td></tr> <tr> <td>4 PLC</td><td>±</td><td></td></tr> <tr> <td>ANGLES</td><td>±</td><td></td></tr> <tr> <td>FINISH</td><td>±</td><td></td></tr> </table>		0 PLC	±		1 PLC	±0.3		2 PLC	±0.20		3 PLC	±0.050		4 PLC	±		ANGLES	±		FINISH	±		PRODUCT SPEC -	GEN4 , STANDARD VERSION		
0 PLC	±																									
1 PLC	±0.3																									
2 PLC	±0.20																									
3 PLC	±0.050																									
4 PLC	±																									
ANGLES	±																									
FINISH	±																									
MATERIAL -		APPLICATION SPEC -	SIZE A2	CAGE CODE 00779	DRAWING NO C-2337939																					
		WEIGHT -	RESTRICTED TO -																							
		CUSTOMER DRAWING	SCALE 3:1	SHEET 4 OF 6	REV F																					

THIS DRAWING IS UNPUBLISHED. RELEASED FOR PUBLICATION 20
 © COPYRIGHT 20 BY - ALL RIGHTS RESERVED.


REVISIONS				
P	LTR	DESCRIPTION	DATE	APVD
-	-	SEE SHEET 1	-	-



PACKAGE 1

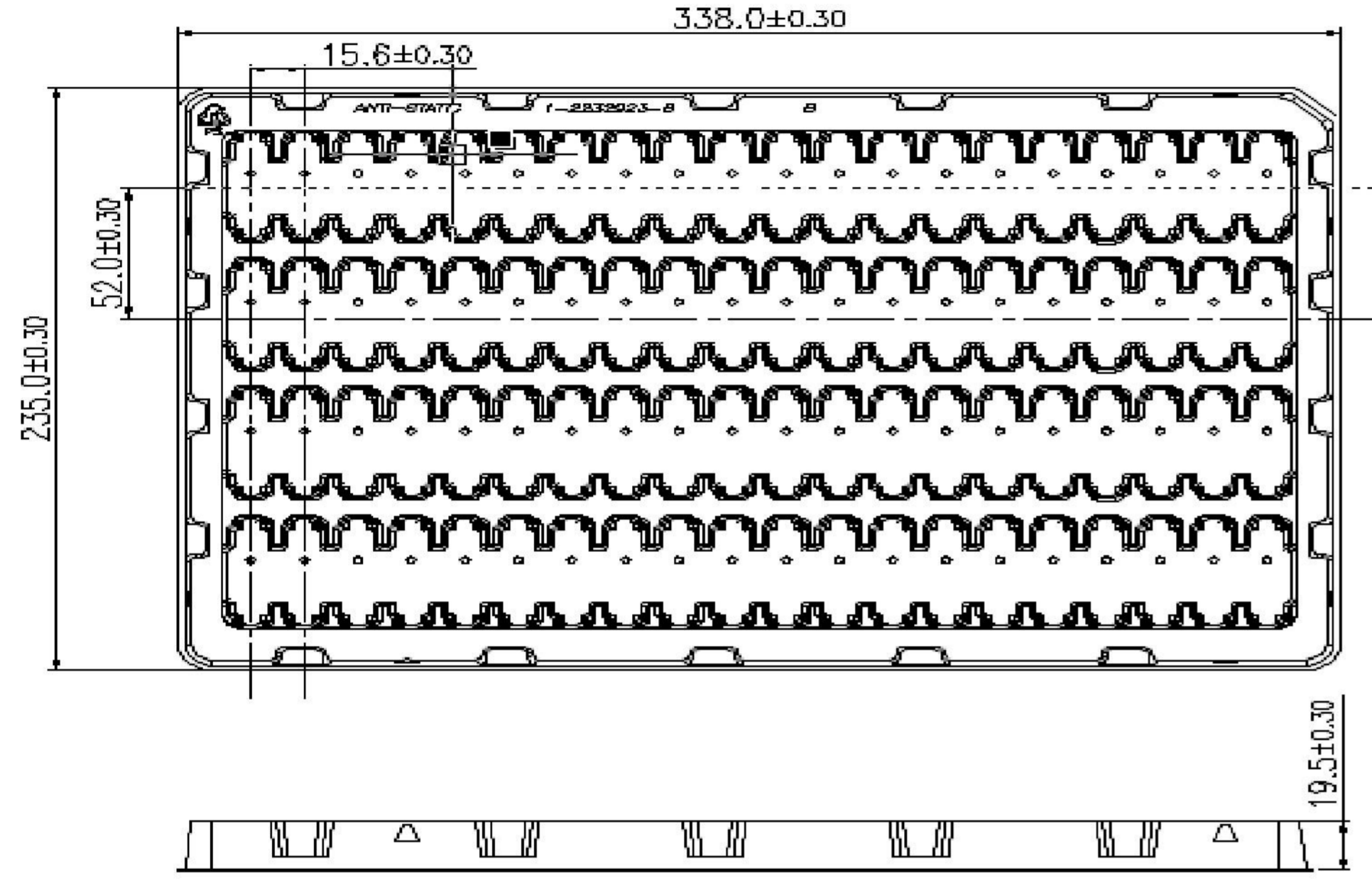


PACKAGE 2

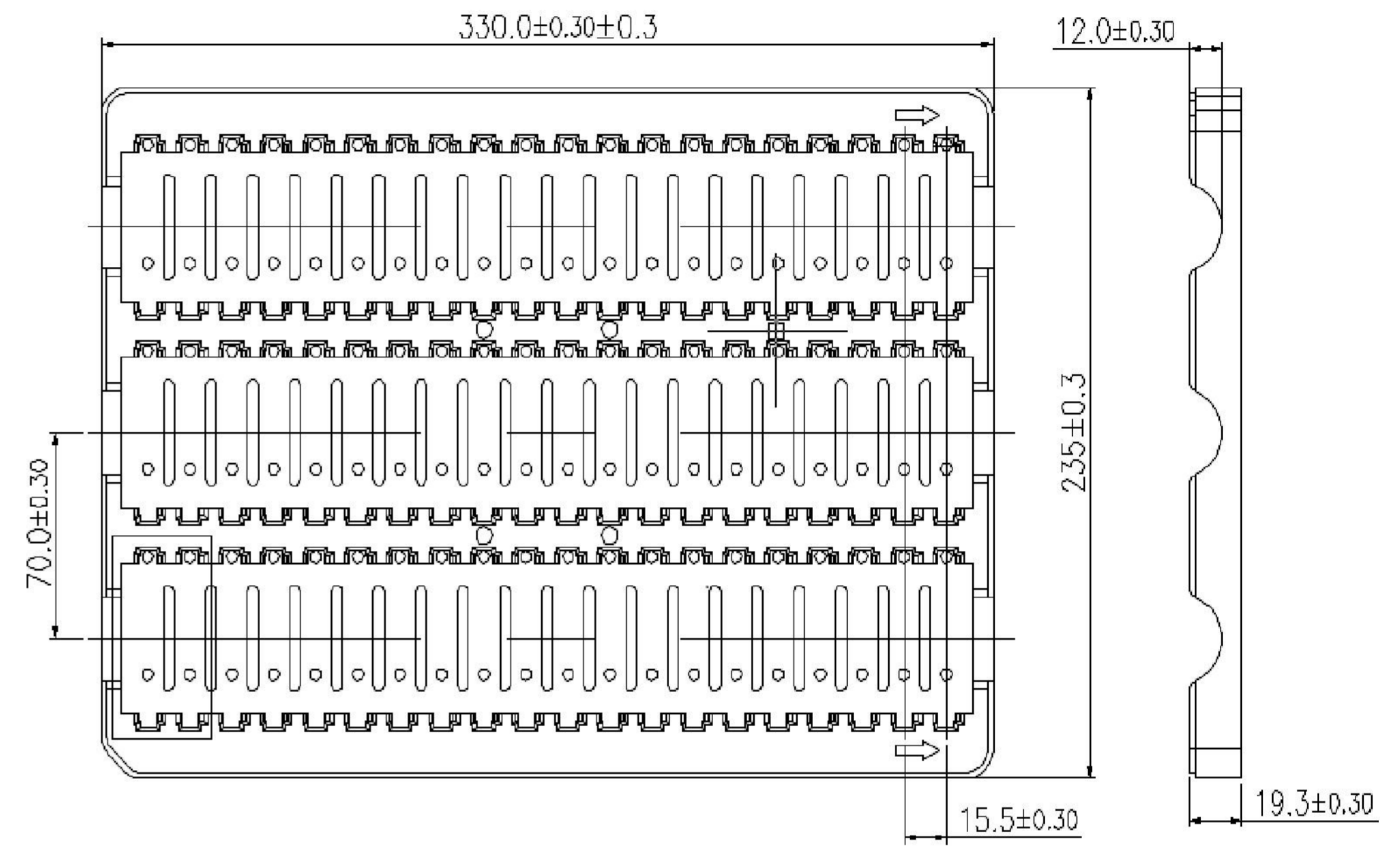
THIS DRAWING IS A CONTROLLED DOCUMENT.		DWN FRED LIU 12JUN2018	 TE Connectivity	
DIMENSIONS: mm		CHK HOPE LU 12JUN2018		
TOLERANCES UNLESS OTHERWISE SPECIFIED:		APVD HOPE LU 12JUN2018	NAME PCI EXPRESS CARD EDGE CONNECTOR	
0 PLC ±	1 PLC ±0.3	PRODUCT SPEC	GEN4, STANDARD VERSION	
2 PLC ±0.20	3 PLC ±0.050	APPLICATION SPEC	SIZE	CAGE CODE
4 PLC ±	ANGLES ±	WEIGHT	A2	00779
MATERIAL	FINISH	CUSTOMER DRAWING	DRAWING NO	RESTRICTED TO
-	-	SCALE 3:1	C-2337939	-
-	-	SHEET 5 OF 6	REV F	-

THIS DRAWING IS UNPUBLISHED. RELEASED FOR PUBLICATION 20
 © COPYRIGHT 20 BY - ALL RIGHTS RESERVED.


REVISIONS				
P	LTR	DESCRIPTION	DATE	APVD
-	-	SEE SHEET 1	-	-



PACKAGE 3



PACKAGE 4

THIS DRAWING IS A CONTROLLED DOCUMENT.		DWN FRED LIU 12 JUN 2018	 TE Connectivity			
DIMENSIONS: mm		CHK HOPE LU 12 JUN 2018				
TOLERANCES UNLESS OTHERWISE SPECIFIED: 0 PLC ±- 1 PLC ±0.3 2 PLC ±0.20 3 PLC ±0.050 4 PLC ±- ANGLES ±- FINISH -		APVD HOPE LU 12 JUN 2018	NAME PCI EXPRESS CARD EDGE CONNECTOR GEN4, STANDARD VERSION			
MATERIAL		PRODUCT SPEC	SIZE	CAGE CODE	DRAWING NO	RESTRICTED TO
-		APPLICATION SPEC	A200779	C-2337939	C-2337939	-
-		WEIGHT	SCALE 3:1		SHEET 6 OF 6	REV F
-		CUSTOMER DRAWING				

Mouser Electronics

Authorized Distributor

Click to View Pricing, Inventory, Delivery & Lifecycle Information:

[TE Connectivity:](#)

[4-2337939-7](#) [4-2337939-8](#)