

MOELLER



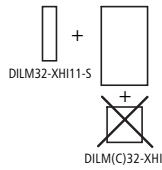
ALPHA COVAG

DILM(C)17...M(C)38... DILMF8...MF32...

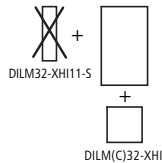
DILM(C)32-XHI... DILM32-XHI11-S

Hilfsschalterbaustein
Auxiliary contact module
Module de contacts auxiliaires
Modulo contatti ausiliari
Módulo de contactos auxiliares
Модуль вспомогательных выключателей
辅助开关组

DILM(C)17...M(C)38...
DILMF8...MF32



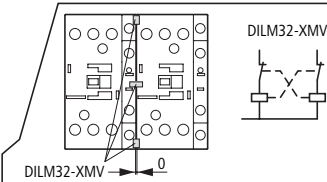
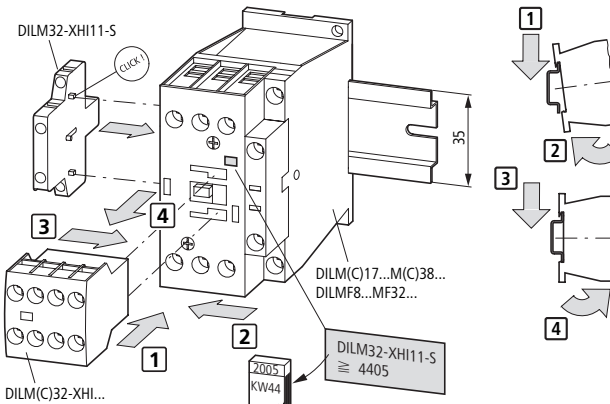
DILM(C)17...M(C)38...
DILMF8...MF32



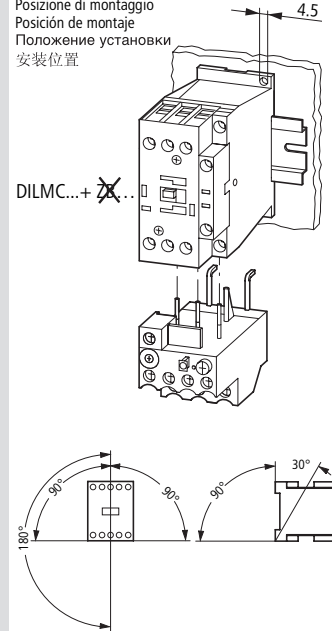
Montage Mounting Montage Montaggio Монтаж 安装

- | | | | |
|---------------------|-----------------------|-------------------|------|
| ① aufsetzen | ① place in position | ① mettre en place | ① 装配 |
| ② rasten | ② latch in | ② encliqueter | ② 装上 |
| ① appoggiare | ① colocar en posición | ① осадить | ① 嵌入 |
| ② inserire a scatto | ② enclavar | ② зафиксировать | |
| ③ schieben | ③ push | ③ pousser | ③ 推 |
| ④ abziehen | ④ remove | ④ retirer | ④ 拔出 |
| ③ inserire | ③ desplazar | ③ задвинуть | |
| ④ estrarre | ④ extraer | ④ СНЯТЬ | |

Demontage Dismantling Démontage Smontaggio Desmontaje Разборка 拆卸



Einbaurage Mounting position Position de montage Posizione di montaggio Posición de montaje Положение установки 安装位置

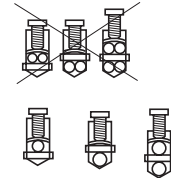


06/08 AWA2100-2127

Montageanweisung Installation Instructions Notice d'installation Istruzioni per il montaggio

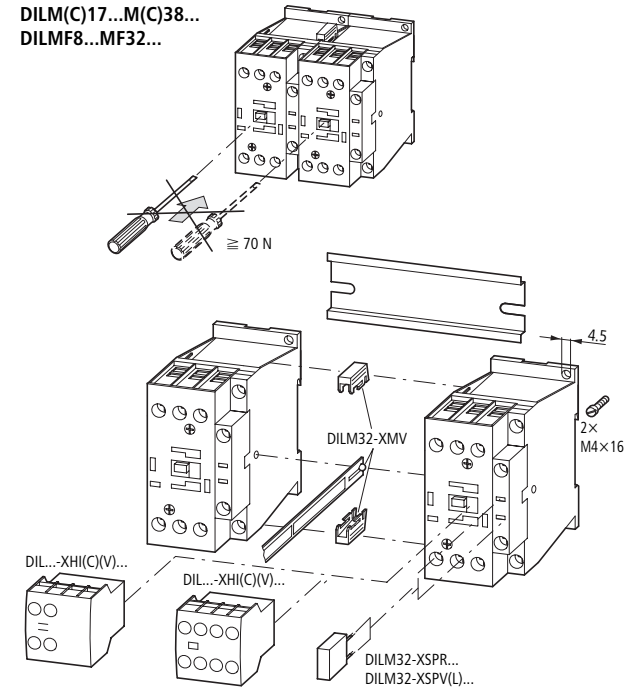
Instrucciones de montaje Инструкция по монтажу 安装说明

mm ²	AWG	Nm	lb-in
1 × (0.75 - 16)	14 - 8	3.2	28
2 × (0.75 - 10)			
1 × (0.75 - 16)			
2 × (0.75 - 10)			
1 × 16			



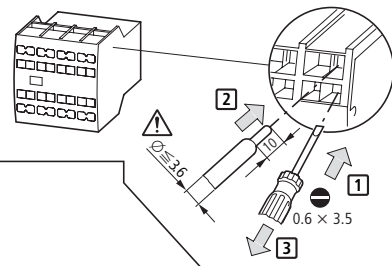
A1/A2 13/14 21/22	mm ²	AWG	Nm	lb-in
	0.75 - 2.5	18 - 14	1.2	10.6

DILM(C)17...M(C)38... DILMF8...MF32...



Warning!

The opening of the branch-circuit protective device may be an indication that a fault has been interrupted. To reduce the risk of fire or electrical shock, current-carrying parts and other components of the controller should be examined and replaced if damaged. If burnout of the element of an overload relay occurs, the complete overload relay must be replaced.



DIULM...
SDAINLM...
→ www.moeller.net/support

06/08 AWA2100-2127
Printed in Germany (08/08)

Änderungen
vorbehalten

Moeller GmbH, Industrieautomation,
D-53105 Bonn © 2004 by Moeller GmbH