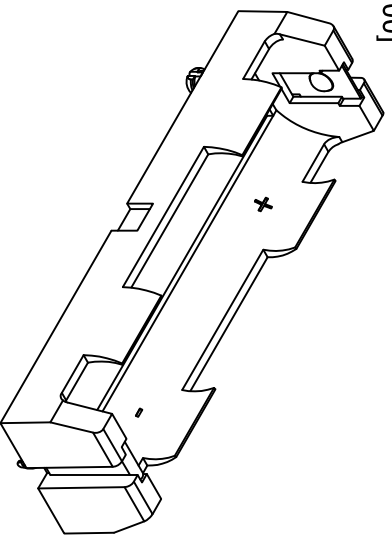


Ø.062 [Ø1.57]
x .062 [1.57] L.



DATE	DESCRIPTION	REV.
10.08.13	CHANGE AS PER ECN 13-091	A
1.04.17	CHANGE AS PER ECN17-005 (B) WAS 2.822 [71.64]	B
1.18.19	ECN 19-005, BASE WAS NYLON 46	C
11.16.20	ECN21-002,BASE MAT'L WAS BLACK	D

- NOTE:
1. BASE:
MAT'L: PBT, UL 94V-0 (GRAY COLOR)
 2. CONTACT:
MAT'L: .012 [0.30] THK STAINLESS STEEL
FINISH: TIN NICKEL PLATE
 3. HOLDER DESIGNED FOR LONGER BATTERIES
WITH BUILD IN CIRCUIT PROTECTION

NOTE: 3.034 [77.05]

KEYSTONE ELECTRONICS CORP.
www.keystoneelectronics.com • NEW HYDE PARK, NY 11040 • Tel (516) 328-7500

PART NAME: THM POLARIZED HOLDER, 18650

MATERIAL: AS NOTED

FINISH: AS NOTED

TOLERANCES	INCH	[MM]	CODE	DWG NO.
DECIMAL	± .010	[± 0.25]	C	1043P
ANGULAR	± 1°			

THIS DOCUMENT IS THE PROPERTY OF
KEYSTONE ELECTRONICS CORP. AND
SHALL NOT BE REPRODUCED, DISTRIBUTED
OR USED AS A BASIS FOR MANUFACTURE
WITHOUT PRIOR WRITTEN PERMISSION
FROM KEYSTONE ELECTRONICS CORP.

DRN BY: NT
DATE: 7.12.13
App'D: RH
SCALE: 1.25X