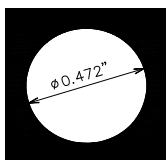
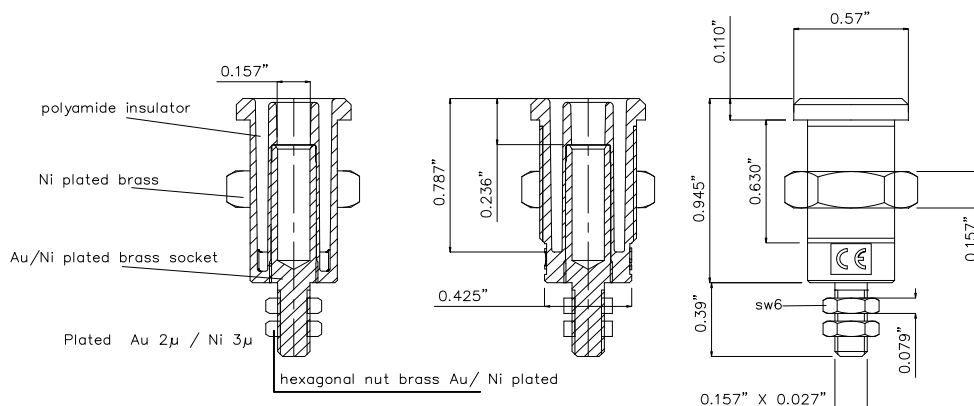


Model 72930

Panel Mount IEC 61010 4mm (0.16in) Jack for Sheathed Plugs



PANEL DRILLING $\phi 0.472''$



Model 72930
Panel Mount IEC 61010 4mm (0.16in) Jack for Sheathed Plugs

Materials

Body: Polyamide
Hex Nut: Nickel-plated brass
Stud: Nickel-plated brass
Stud Hex Nuts: Nickel-plated brass

Features

- Panel mount IEC61010 4mm (0.16in) banana jack for sheathed banana plugs, with threaded stud.
- Hexagonal nut.

Specifications

Max Current	36A
Max Voltage	1000 V CAT III

M4 x 0.7 nut = Screwing Torque Nuts = 30 Ncm Max.

Ordering Information

Model: 72930-*

*Available colors: 0=Black, 1=Brown, 2=Red, 4=Yellow, 5=Green, 6=Blue, 7=Violet, 8=Gray, 9=White

Ordering example: 72930-5 (72930 with Green Polyamide Insulation)

Each color sold in packages of 10 pieces.

USA: Sales: 800-490-2361
Technical Support: technicalsupport@pomonatest.com
Fax: 425-446-5844

Europe: 31-(0) 40 2675 150 **International:** 425-446-5500

Where to Buy: www.pomonaelectronics.com

All dimensions are in inches. Tolerances (except noted): .xx = $\pm 0.02''$ (.51 mm), .xxx = $\pm 0.005''$ (.127 mm). All specifications are to the latest revisions. Specifications are subject to change without notice. Registered trademarks are the property of their respective companies.