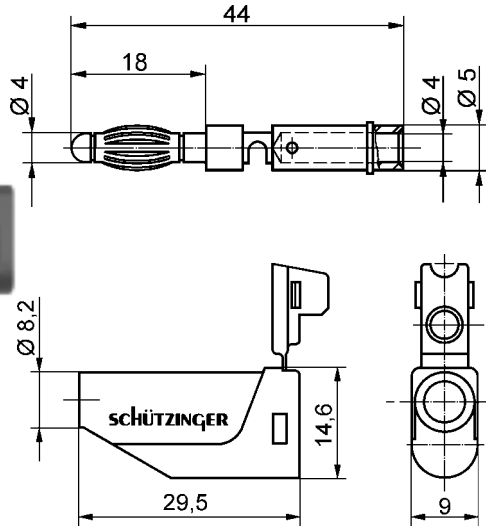


Ø 4

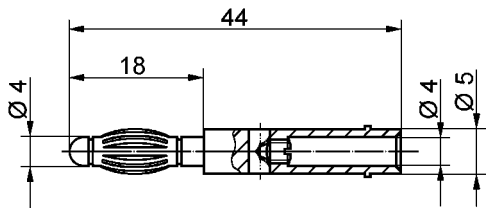


Lamella-basket plug

- soldering terminal
- with line in socket
- with sleeve, unassembled

order no. FK 15 L / 1 / ..(colour)
 - contact parts **nickel-plated**
 - sleeve PE (Hostalen)
 for wire square-section up to **1 mm²**
 for insulation diameter up to **4 mm**

colours: see table



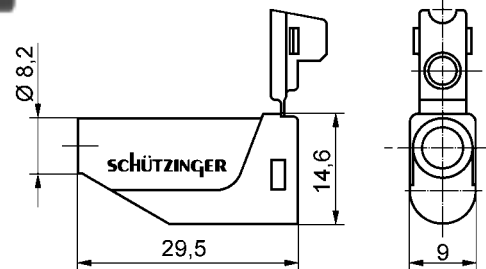
Lamella-basket plug

- screw terminal
- with line in socket
- with sleeve, unassembled

order no. FK 15 S / 1 / ..(colour)
 - contact parts **nickel-plated**
 - sleeve PE (Hostalen)
 for wire square section up to **1 mm²**
 for insulation diameter up to **4 mm**

order no. FK 15 S / 0,5 / ..(colour)
 - as above, but
 - sleeve PE (Hostalen)
 for wire square section up to **0.5 mm²**
 for insulation diameter up to **2 mm**

colours: see table



General information			Technical data				
order no.	sleeve for lead	colours	terminal	transition resistance	rated voltage	rated current	operating temperature
FK 15 L / 1 / ..(colour) contact part nickel-plated	Ø 4 mm	black red	soldering - 1 mm ²	3 mΩ	30 V _{AC} 60 V _{DC}	16 A	- 25 °C ... + 110 °C
FK 15 S / 1 / ..(colour) contact part nickel-plated	Ø 4 mm	blue yellow green	screw - 1 mm ²	3 mΩ	30 V _{AC} 60 V _{DC}	16 A	- 25 °C ... + 110 °C
FK 15 S / 0,5 / ..(colour) contact part nickel-plated	Ø 2 mm		screw - 0.5 mm ²	3 mΩ	30 V _{AC} 60 V _{DC}	10 A	- 25 °C ... + 110 °C

other colours and platings on request