

Pin Number	Signal Name	Description
1	VBUS	Power
2	D-	USB2.0 differential pair
3	D+	
4	GND	Ground for power return
5	StdA_SSRX-	SuperSpeed receiver differential pair
6	StdA_SSRX+	
7	GND_DRAIN	Ground for signal return
8	StdA_SSTX-	SuperSpeed transmitter differential pair
9	StdA_SSTX+	
Shell	Shield	Connector metal shell

USB3.0 Standard-A Connector Pin Assignments

NOTES:

1.MATERIAL:

HOUSING: THERMOPLASTIC, GLASS FIBER FILLED, HALOGEN FREE, UL94-HB, COLOR: BLUE.
 COVER: THERMOPLASTIC, GLASS FIBER FILLED, HALOGEN FREE, UL94-HB, COLOR: BLUE.
 USB2.0 CONTACT: COPPER ALLOY.
 USB3.0 CONTACT: COPPER ALLOY.
 SHELL: STAINLESS STEEL.

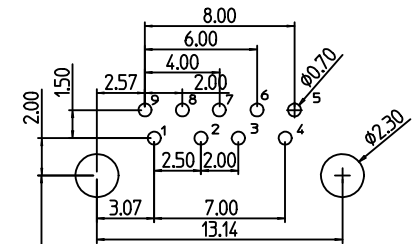
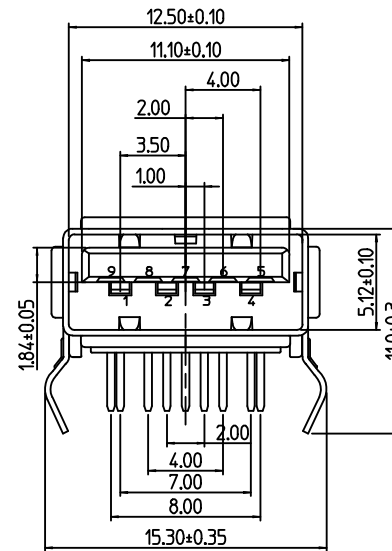
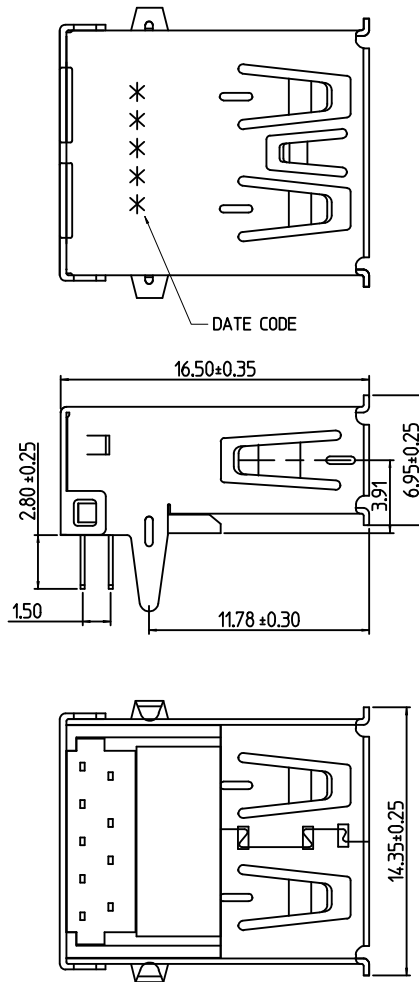
2.FINISH:

CONTACT:
 SELECTIVE GOLD(Au) IN CONTACT AREA(SEE TABLE)
 SELECTIVE MATTE TIN(Sn) ALLOY IN SOLDER TAIL

AREA THICKNESS=120 MICROINCH MINIMUM.
 NICKEL(Ni) OVERALL THICKNESS=80 MICROINCH MINIMUM.
 SHELL:NICKEL(Ni) OVERALL THICKNESS=30 MICROINCH MINIMUM.

3. PRODUCT SPECIFICATION REFERS TO PS-48405-001
 4. PACKAGE SPECIFICATION REFERS TO PK-48405-001
 5. TEST SUMMARY REFERS TO TS-48405-001
 6. LEAD FREE AND RoHS COMPLIANT PRODUCT.
 7. DATE CODE:

X X X X X
 T T T T
 YEAR WEEK DAY



RECOMMEND P.C.B LAYOUT(THICKNESS=1.2mm)
 (COMPONENT SIDE) TOLERANCE±0.05

TABLE

PLATING	MOLEX P/N
30u" Au	48405-0001
2u" Au & 30u" Pd-Ni	48405-0002
15u" Au	48405-0003
GOLD FLASH(3u" Au MIN.)	48405-0004

REV	DESCRIPTION	QUALITY SYMBOLS		GENERAL TOLERANCES (UNLESS SPECIFIED)		DIMENSION STYLE		SCALE	DESIGN UNITS	THIRD ANGLE PROJECTION	
		mm	INCH	mm	INCH	DRAWN BY	DATE	1:1			
A	RELEASE EC NO: DRWN: FYANG05 2013/10/20 CHKD: APPR:	3 PLACES ±	±	3 PLACES ±	±	RUBY	2013.9.22	TITLE	USB 3.0 CONNECTOR A RECEPTACLE 90° DIP TYPE (H=3.91mm)		
		2 PLACES ±	0.20	2 PLACES ±	0.20	CHECKED BY	DATE	MOLEX MOLEX INCORPORATED			
		1 PLACE ±	0.25	1 PLACE ±	0.25	FYANG	2013.9.22				
		ANGULAR ± °		APPROVED BY		DATE	DOCUMENT NO. SD-48405-001 SHEET NO. 1 OF 1				
		DRAFT WHERE APPLICABLE MUST REMAIN WITHIN DIMENSIONS		RZHANG		2013.9.22					
		MATERIAL NO.		SEE TABLE		THIS DRAWING CONTAINS INFORMATION THAT IS PROPRIETARY TO MOLEX INCORPORATED AND SHOULD NOT BE USED WITHOUT WRITTEN PERMISSION					