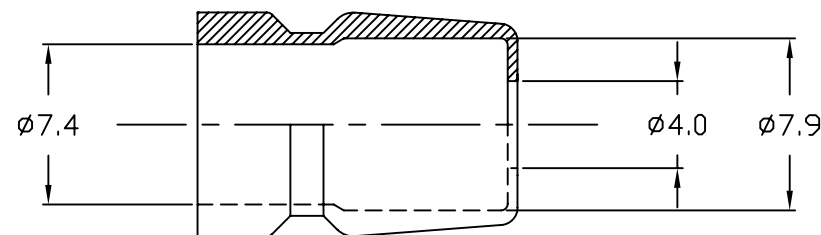
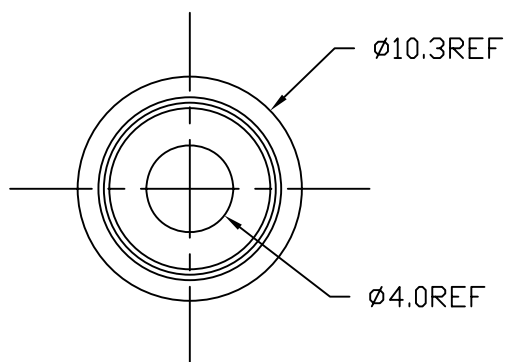
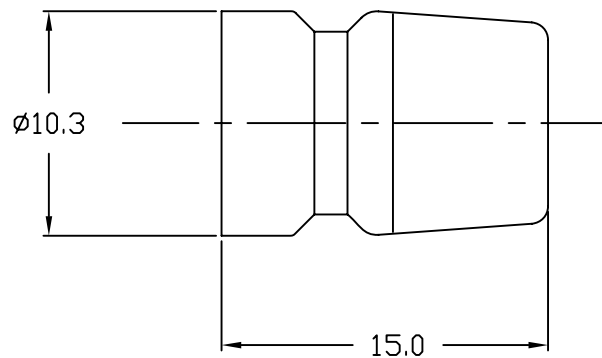




COLOUR	CATALOGUE P/N
BLACK	AC-GROMMET-BLK
BROWN	AC-GROMMET-BRN
RED	AC-GROMMET-RED
ORANGE	AC-GROMMET-ORG
YELLOW	AC-GROMMET-YEL
GREEN	AC-GROMMET-GRN
BLUE	AC-GROMMET-BLU
VIOLET	AC-GROMMET-VIO
GREY	AC-GROMMET-GRY
WHITE	AC-GROMMET-WHT



NOTES:

1. MATERIAL: THERMOPLASTIC ELASTOMER HARDNESS 80-87
2. APPROVE ASSEMBLY AID LUBRICANT IS LUSIN ALRD 0 153S

UNLESS OTHERWISE SPECIFIED TOLERANCE TO BE		THIS DOCUMENT IS THE PROPERTY OF AMPHENOL AUSTRALIA PTY. LTD.. NO PART THEREOF MAY BE REPRODUCED AND USED WITHOUT THE PRIOR WRITTEN CONSENT OF THE OWNER				7	CHANGE OVERALL LENGTH FROM 15.30MM TO 15.00MM IN RE-TOOLING	M.N.H.	25-02-99	7235
LINEAR		ANGULAR		CAD FILE: 0124035000117		REV.	FIRST ISSUE	D.v.E.	29.06.93	----
X ± 0.5	X' ± 1°	X'' ± 30°		DRN:	D.v.E.	DATE:	15.06.93	TITLE: AC SERIES 7mm GROMMET CUSTOMER DRAWING		
X.X ± 0.1	X'X' ± 30°	X''X'' ± 15°		BREAK ALL SHARP EDGES AND REMOVE ALL BURRS	MATL:	REFER TO NOTE 1	CKD:	MH	DATE:	25-02-99
X.XX ± 0.05	X'X'X' ± 15°	DO NOT SCALE		FINISH:	REFER TO NOTE 2	APP'D:	PM	DATE:	25-02-99	22 Industry Boulevard, Carrum Downs, VIC 3201
DIMENSIONS IN MILLIMETRES		THIRD ANGLE PROJECTION		SCALE:	4:1	PART No:	SEE TABLE	SIZE:	A3	DRAWING NO. 012-4035-00*
										SHEET 1 OF 1