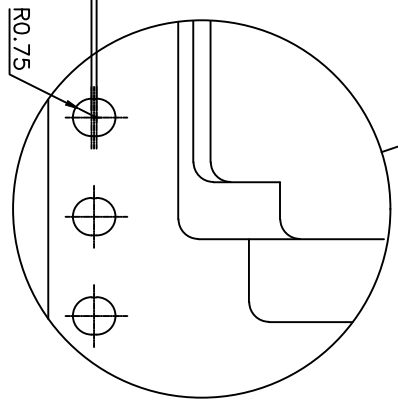
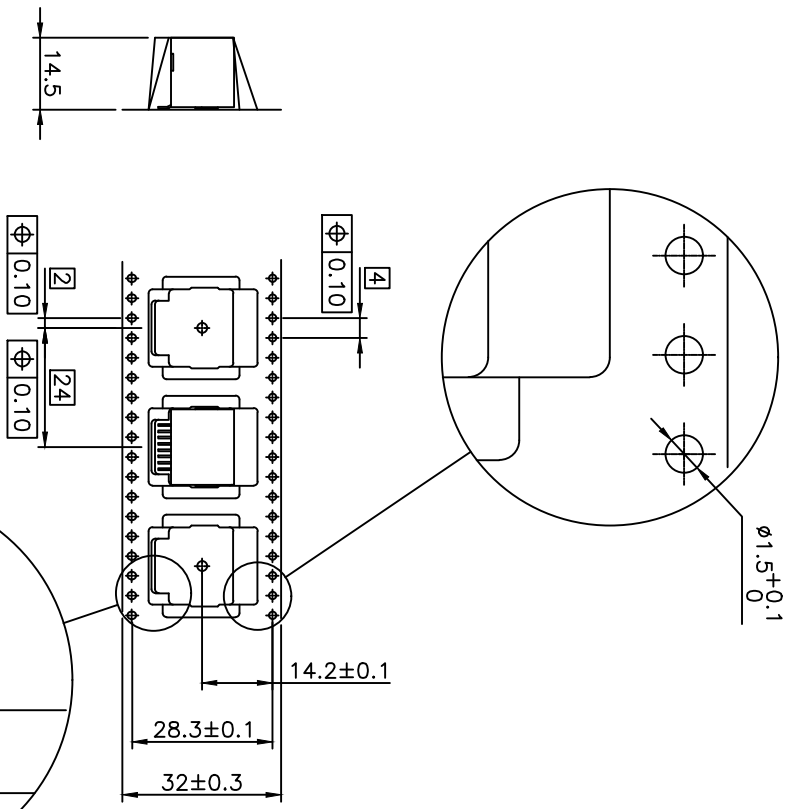
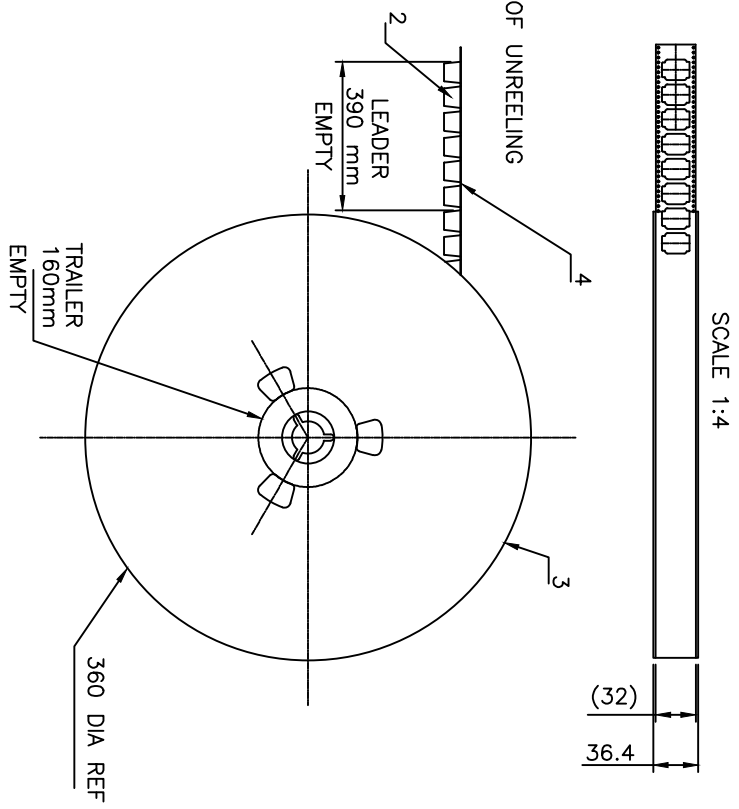


PRODUCT NUMBER
SEE SHEET 1

LTR	PART NAME	QTY
1	PRODUCT	230
2	TAPE	1
3	REEL	1
4	COVER TAPE	1



DIRECTION OF UNREELING



SCALE 1:4

1 - IN ACCORDANCE WITH EIA-481 AND IEC 296-3

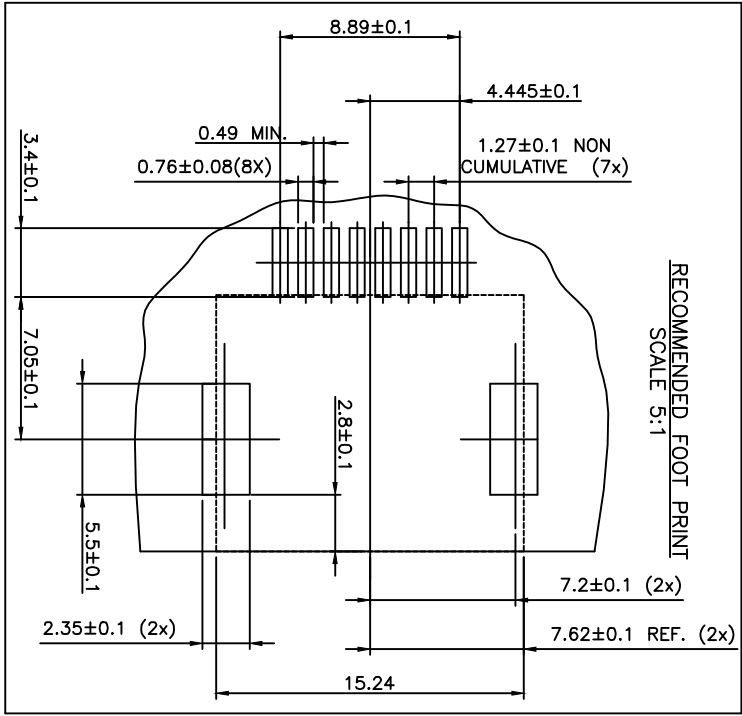
CUSTOMER COPY FOR REFERENCE ONLY

mat'l. code	surface	tolerance	projection	product family
	ISO 1302	ISO 406 ISO 1101	mm	MOD-JACK
ltr	ecm no	ldr	date	title
D	DB0620	DLE	98.11.26	SMT RA JACK
E	F06-0240	DLE	06.07.18	8 POS. OUTSIDE
		angles	linear	scale 2:1
		linear		
		ldr	D LEGRAND	04.10.18
		engr	P NIZZI	04.10.18
		chr	D LEGRAND	04.10.18
		appd	P NIZZI	04.10.18
Sheet	revision			dwg no
index	Sheet			73304
				sheet 2 of 3
				A3
				CUSTOMER Drawing
				type



FCIconnect.com

Copyright FCI



CUSTOMER COPY FOR REFERENCE ONLY

mat'l. code		surface		tolerance		projection		product family	
		ISO 1902		ISO 406 ISO 1101		mm		MOD JACK	
litr. ecn no. dr. date		ISO 1902		ISO 406 ISO 1101		mm		title	
A F04-0363 DLE 04.10.18		ISO 1902		ISO 406 ISO 1101		mm		SMT RA JACK	
B F06-0240 DLE 06.07.18		ISO 1902		ISO 406 ISO 1101		mm		8 POS OUTSIDE	
angles linear		±0.13		mm		scale 2:1		dwg no	
								73304	
dr. D LEGRAND 04.10.18		engr. P NIZZI 04.10.18		chr. D LEGRAND 04.10.18		qppd P.N.Z 04.10.18		sheet 3 of - size	
								A4	
type		CUSTOMER Drawing							
sheet index		revision							
sheet									

form: A4

1

2

PDS: Rev 1.1

STATUS: Released

Printed: Sep 10, 2015