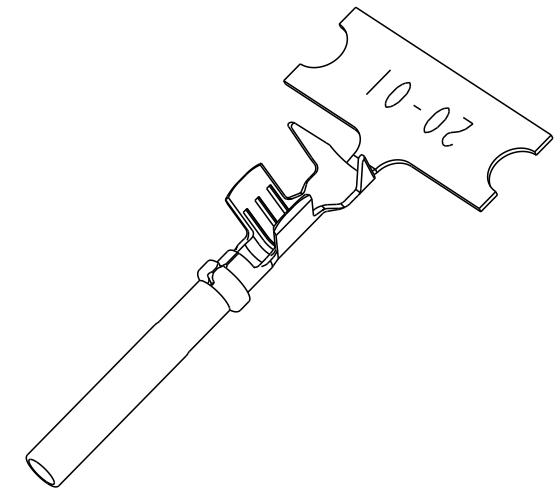
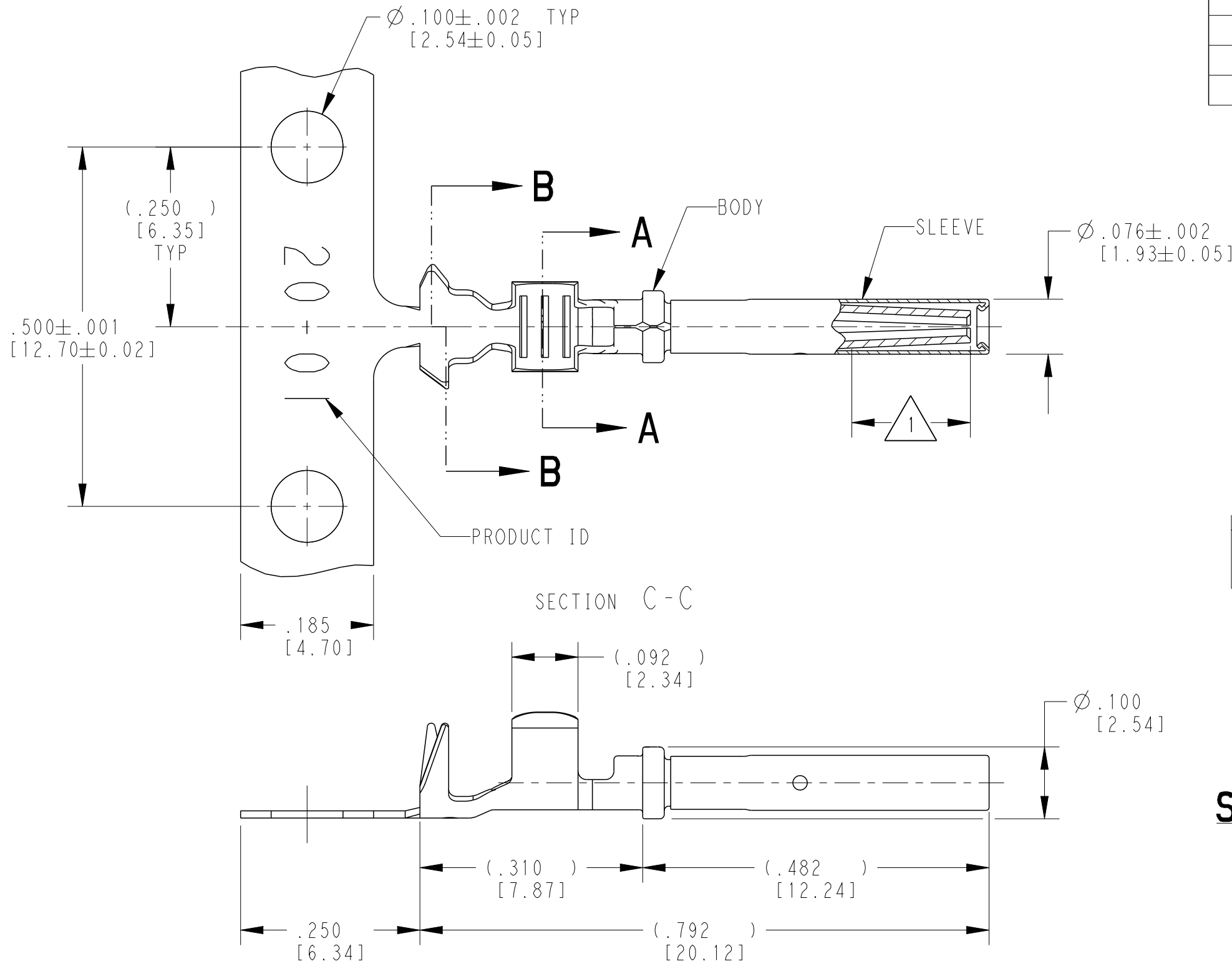


REVISIONS

| P | LTR | DESCRIPTION | DATE | DWN | APVD |
|---|-----|------------------------------|-----------|-----|------|
| E | | REVISED PER E.O. P20382 | 03DEC2009 | | RDR |
| F | | REVISED PER PCN :E-18-007949 | 23MAY2018 | DD | DM |



SECTION A-A
WIRE BARREL

SECTION B-B
INSULATION BARREL

3 MATERIAL:
 BODY: .010 [0.25] THICK COPPER ALLOY
 SLEEVE: STAINLESS STEEL

2. WIRE RANGE: 22 AWG TO 16 AWG [0.35-1.5 mm²]
 INSULATION RANGE: Ø.075-.125 [Ø1.91-3.18]

1 APPLIES ONLY TO SELECTIVE GOLD 1062-20-0144.
 INDICATED DIMENSION SHOWS GOLD PLATED AREA.

NOTES: UNLESS OTHERWISE SPECIFIED

THIS DRAWING IS A CONTROLLED DOCUMENT.

| DIMENSIONS: INCHES [mm] | TOLERANCES UNLESS OTHERWISE SPECIFIED: |
|----------------------------|---|
| | 0 PLC ± |
| | 1 PLC ± |
| | 2 PLC ± |
| | 3 PLC ±.025 [0.64] |
| | 4 PLC ± |
| | ANGLES ± |
| MATERIAL 3 | FINISH SEE TABLE |

| | | |
|------------------|---------------|-----------|
| DWN | J. APOSTOL | 01DEC2009 |
| CHK | D. MEYER | 02DEC2009 |
| APVD | R. REED | 02DEC2009 |
| PRODUCT SPEC | 0425-015-0000 | |
| APPLICATION SPEC | 114-151003 | |
| WEIGHT | 0.21 g | |
| CUSTOMER DRAWING | | |

| TE INTERNAL PN | DEUTSCH PN | PLATING |
|----------------|--------------|----------------|
| 1062-20-0122 | 1062-20-0122 | NICKEL |
| 1062-20-0144 | 1062-20-0144 | SELECTIVE GOLD |
| 1062-20-0177 | 1062-20-0177 | TIN |



| | | | |
|--|-----------|--------------|---------------|
| NAME STAMPED CONTACT SOCKET SIZE 20 | | | |
| SIZE | CAGE CODE | DRAWING NO | RESTRICTED TO |
| A3 | 4AFU8 | 1062-20-01XX | - |
| SCALE 6:1 | | SHEET 1 OF 1 | REV F |

Mouser Electronics

Authorized Distributor

Click to View Pricing, Inventory, Delivery & Lifecycle Information:

[TE Connectivity:](#)

[1062-20-0122](#)