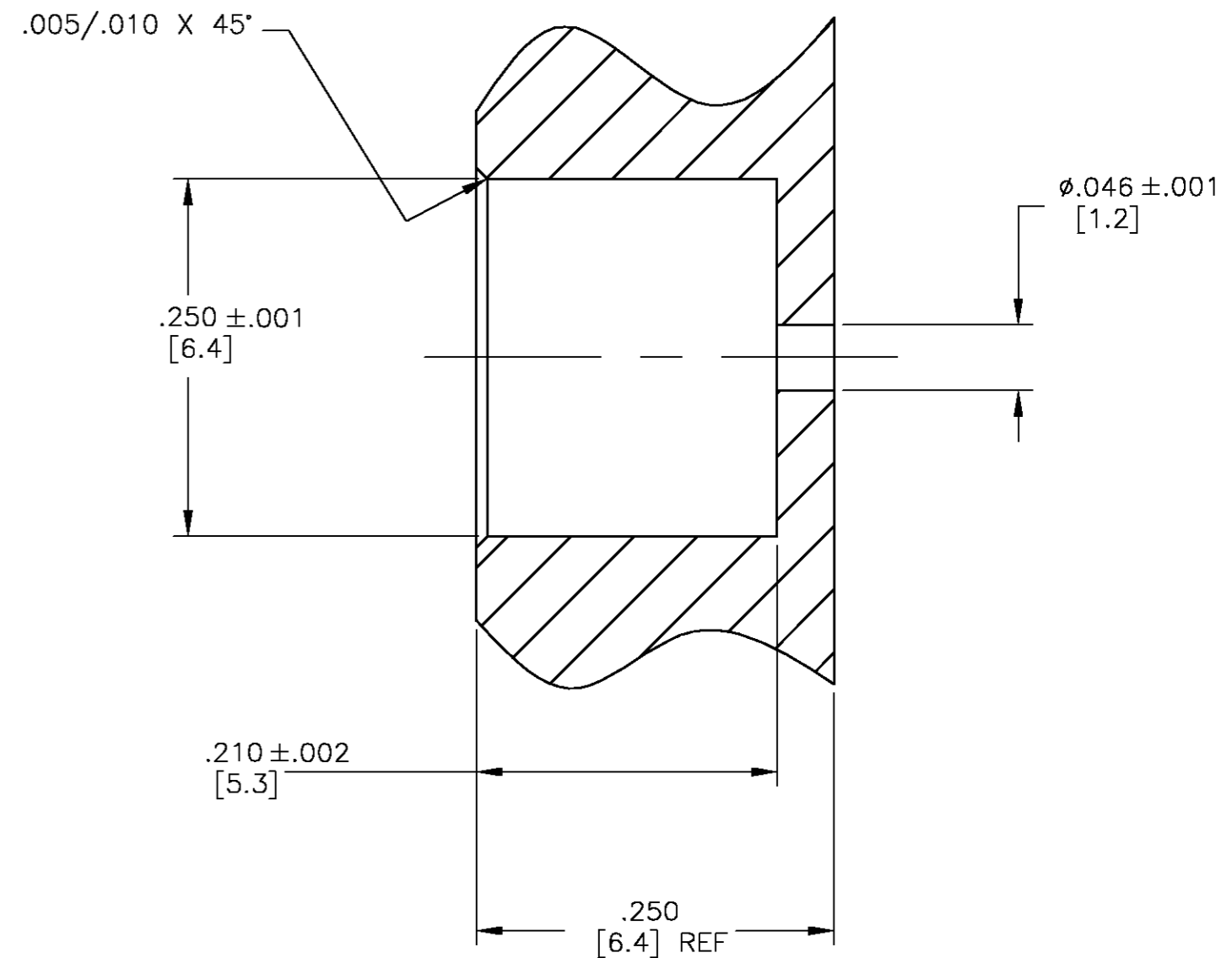
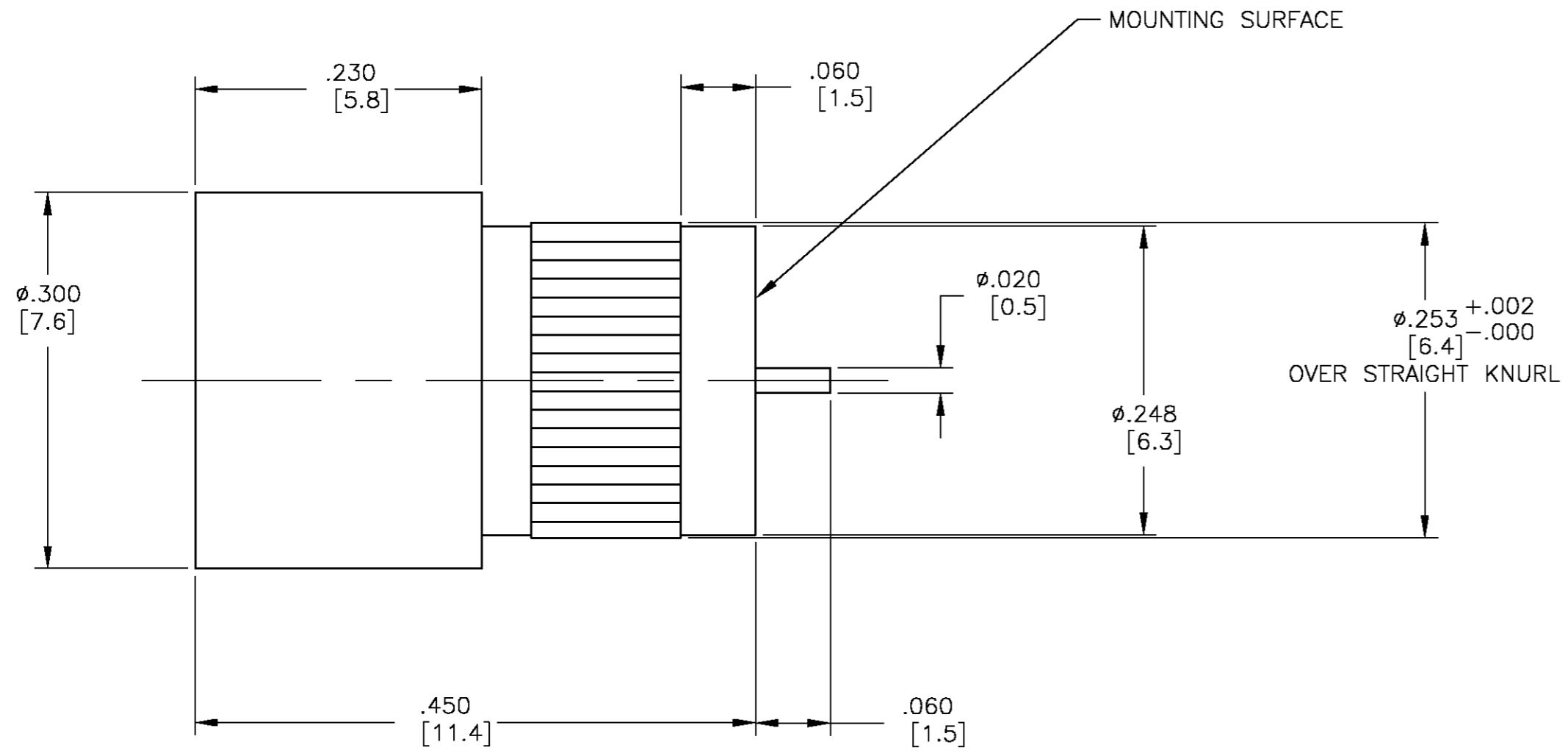


THIS DRAWING IS UNPUBLISHED. RELEASED FOR PUBLICATION
 © COPYRIGHT BY TYCO ELECTRONICS CORPORATION. ALL RIGHTS RESERVED.

LOC		DIST		REVISIONS			
P	LTR	DESCRIPTION	DATE	DWN	APVD		
C		REV PER OS14-0222-04	06-10-04	JDP	JGH		



RECOMMENDED MOUNTING HOLE

ELECTRICAL	MECHANICAL	ENVIRONMENTAL
NOMINAL IMPEDANCE (OHMS): 50	INTERFACE DIMENSIONS PER MIL-STD-348, FIG. 321.2	TEMPERATURE RATING: -65°C TO +125°C
FREQUENCY RANGE (GHz): DC TO 18.	MATING CHARACTERISTICS: INSERTION MAX (LBS.): 3 WITHDRAWAL MIN (OZ.): 1	VIBRATION PER MIL-STD-202, METHOD 204 CONDITION D.
VOLT RATING (VRMS MAX) @ SEA LEVEL: 335	FORCE: TO ENGAGE (LBS MAX): 3 TO DISENGAGE (LBS MAX): 1.5	SHOCK PER MIL-STD-202, METHOD 213, CONDITION I
VSWR: 1.05 + .005f(GHz)	CENTER CONTACT CAPTIVATION AXIAL (LBS): 6	THERMAL SHOCK PER MIL-STD-202 METHOD 107, CONDITION B.
INSERTION LOSS (dB MAX): .03√f(GHz)	WEIGHT (GRAMS): 2.3	MOISTURE RESISTANCE PER MIL-STD-202, METHOD 106.
RF LEAKAGE (dB MIN): -(65-f(GHz))		CORROSION PER MIL-STD-202, METHOD 101, CONDITION B.

CORONA, 70,000 FT. (VRMS MIN): 335
DIELECTRIC WITHSTANDING VOLTAGE: (VRMS MIN) @ SEA LEVEL: 1000
CONTACT RESISTANCE (MILLIOHMS MAX): CENTER CONTACT: 2.0 OUTER CONTACT: 2.0
RF HIGH POTENTIAL @ SEA LEVEL (VRMS MIN @ 5 MHz): 1000
I.R. (MEGOHMS MIN): 5,000

- 1 MATERIAL:
HOUSING/ BUSHING: STAINLESS STEEL PER ASTM A484 AND ASTM A582, TYPE 303
DIELECTRIC: PTFE PER ASTM-D-1457
CENTER CONTACT: BeCu PER ASTM B 196, CONDITION H
CONTACT SLEEVE: BeCu PER ASTM B 196, CONDITION H
CONTACT RING / SHIM: BeCu PER ASTM B 194, CONDITION H
- 2 FINISH:
HOUSING/ BUSHING: PASSIVATE PER ASTM-A380
CENTER CONTACT: GOLD PLATE PER MIL-G-45204 OVER COPPER PER MIL-C-14550
CONTACT SLEEVE: GOLD PLATE PER MIL-G-45204 OVER NICKEL PLATE PER QQ-N-290
CONTACT RING / SHIM: GOLD PLATE PER MIL-G-45204 OVER COPPER PER MIL-C-14550
- 3. REF M/A-COM 4558-1154-02.

1059654-1
PART NUMBER

THIS DRAWING IS A CONTROLLED DOCUMENT.		DWN S. BURKHOLDER 23OCT02	Tyco Electronics Corporation Middletown, PA 17057	
DIMENSIONS: INCHES		CHK J. HAVENER 23OCT02		
TOLERANCES UNLESS OTHERWISE SPECIFIED:		APVD J. HAVENER 23OCT02	NAME	
0 PLC ± -	1 PLC ± -	PRODUCT SPEC	OSP PANEL FEEDTHRU JACK RECEPTACLE STRAIGHT TERMINAL	
2 PLC ± -	3 PLC ± .005	APPLICATION SPEC	SIZE A2	CAGE CODE 00779
4 PLC ± -	ANGLES ± 1	408-8679	DRAWING NO	RESTRICTED TO
MATERIAL 1	FINISH 2	WEIGHT -	C=1059654-1	
CUSTOMER DRAWING		SCALE 6:1	SHEET 1 OF 1	REV C

Mouser Electronics

Authorized Distributor

Click to View Pricing, Inventory, Delivery & Lifecycle Information:

[TE Connectivity:](#)

[1059654-1](#)