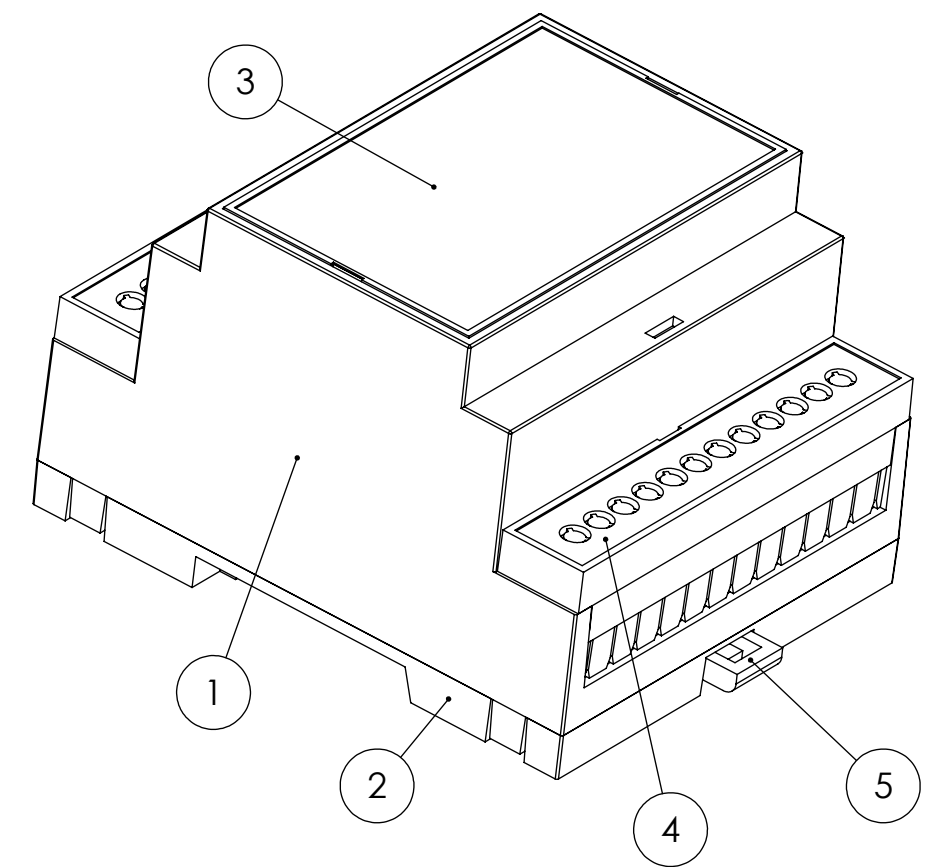
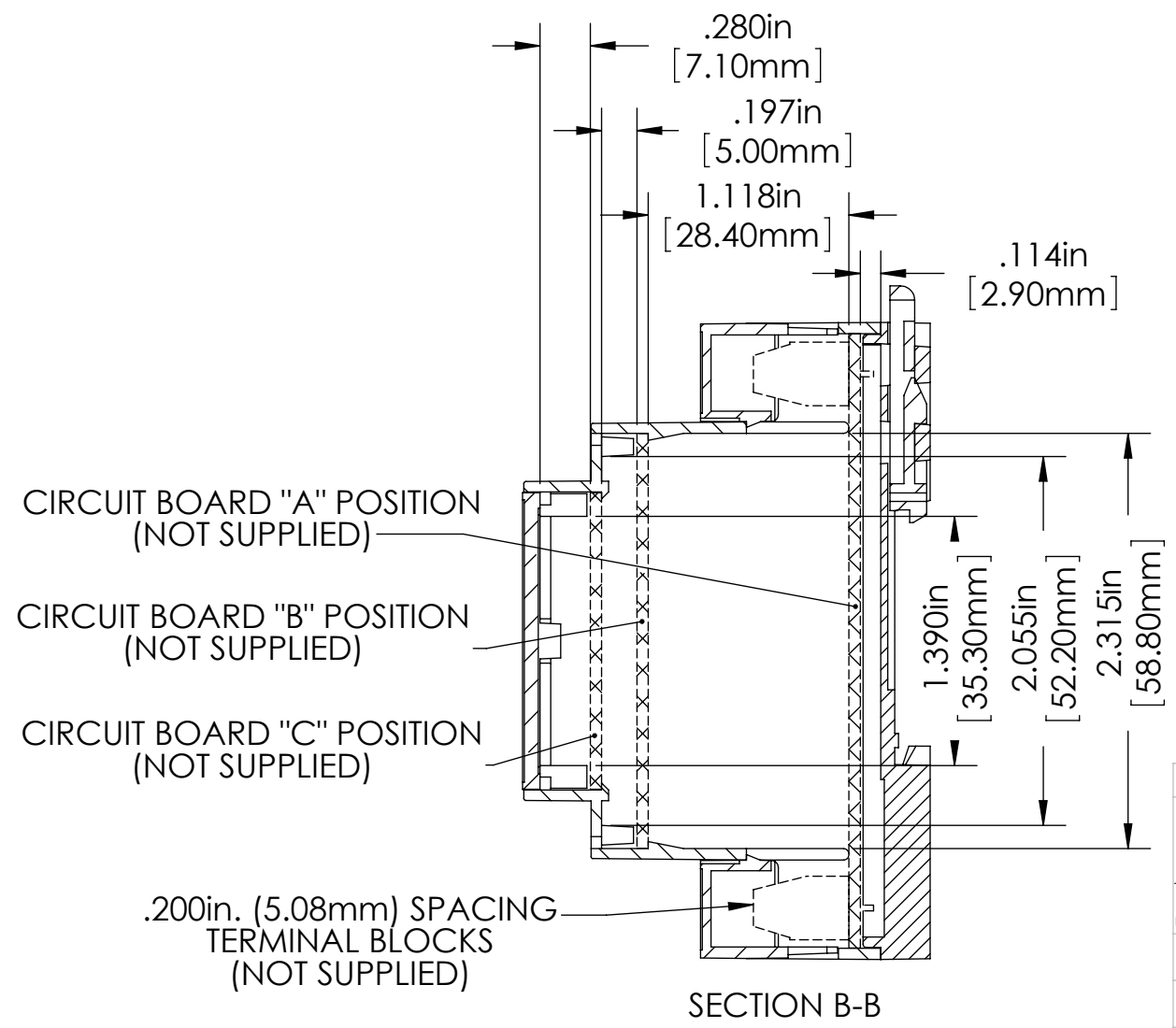
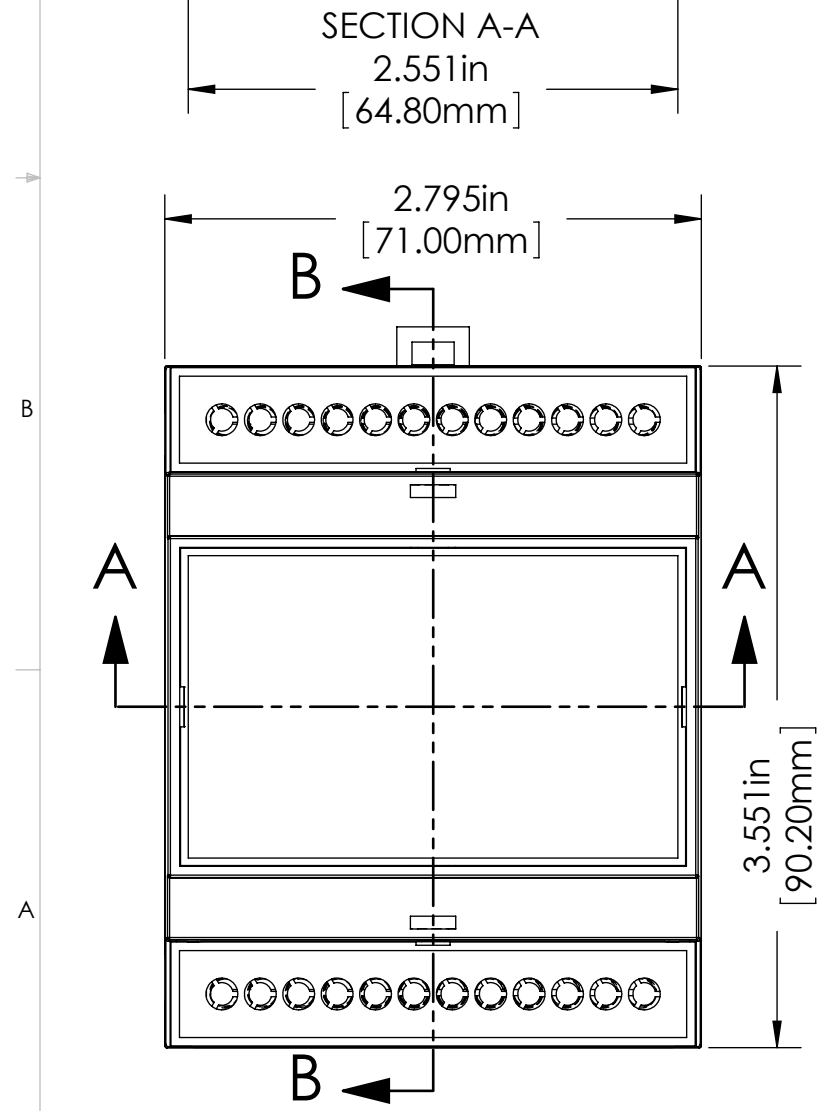
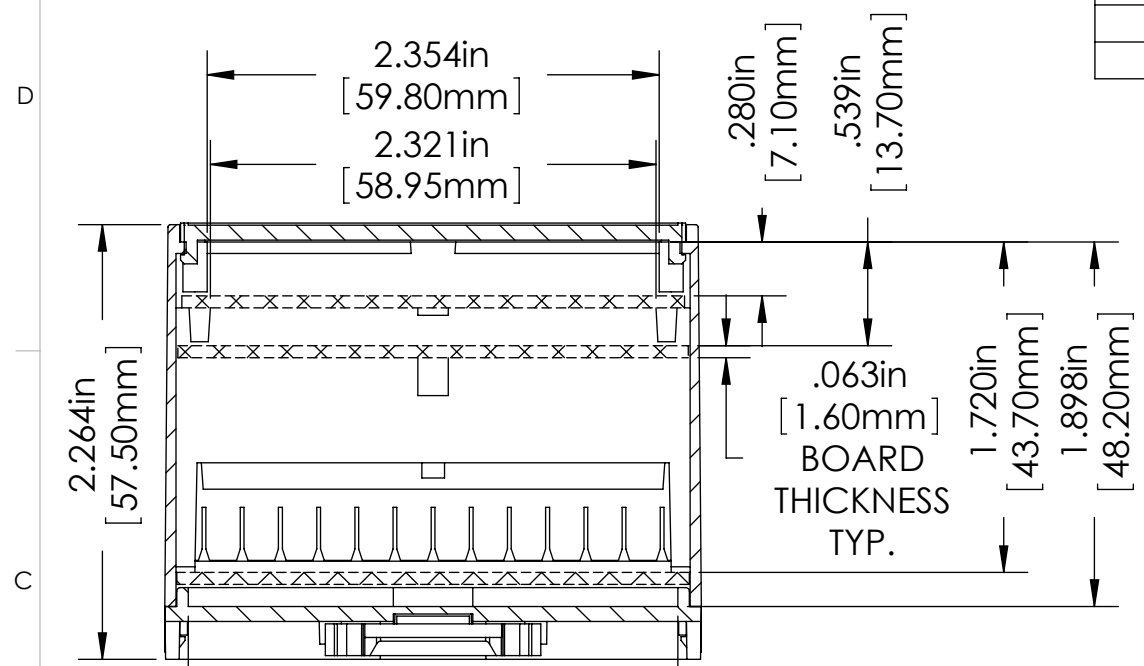


THE INFORMATION CONTAINED IN THIS DRAWING IS THE SOLE PROPERTY OF BUD INDUSTRIES INC. ANY REPRODUCTION IN PART OR WHOLE WITHOUT THE WRITTEN PERMISSION OF BUD INDUSTRIES INC. IS PROHIBITED.

ITEM NO.	PART NUMBER	DESCRIPTION	COLOR	QTY.
1	BODY	PC/ABS UL94V-0	GRAY	1
2	BASE	PC/ABS UL94V-0	GRAY	1
3	COVER	PC/ABS UL94V-0	GRAY	1
4	GUARD	PC/ABS UL94V-0	GRAY	2
5	MOUNTING CLIP	NYLON 66	DARK GRAY	1

DWG. NO.	DMB-4772
ISSUE	REVISIONS
(A)	REVISIONS 12-6-10 DAB



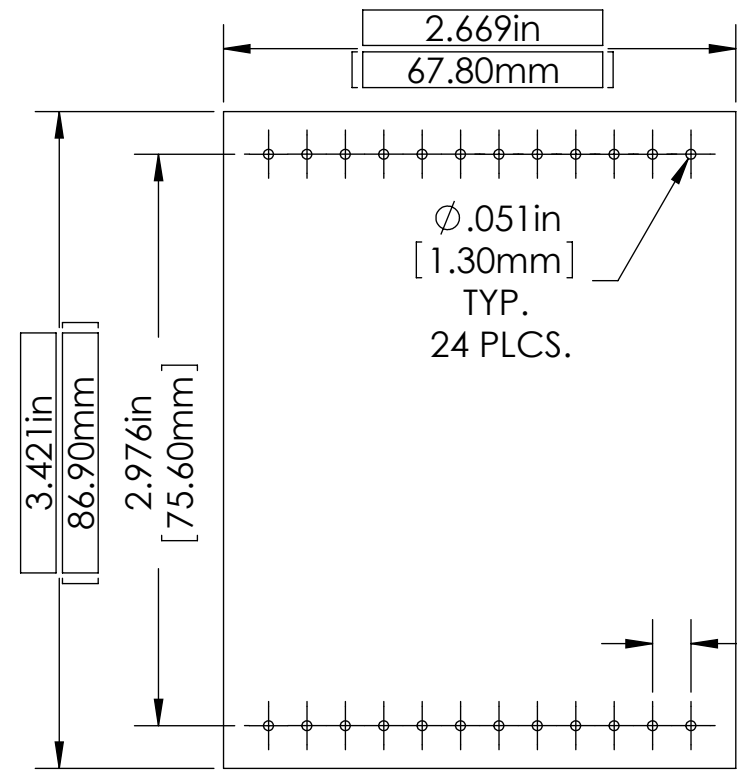
OPTIONAL ACCESSORIES / REPLACEMENT PARTS	PART NUMBER
CLEAR POLYCARBONATE COVER	DMB-4772-CC
INFRA-RED COVER	DMB-4772-IRC
TERMINAL GUARD (PACK OF 2)	DMB-4762-TG
MOUNTING CLIP	DMB-4764-MC

TOLERANCES: +/- .005 BETWEEN HOLE CENTERS +/- .015 FROM SHEARED EDGE +/- .032 FROM A BENT SURFACE +/- .062 BETWEEN ASSEMBLED SURFACES		CAD GENERATED DRAWING, DO NOT MANUALLY UPDATE		BUD INDUSTRIES INC.	
UNLESS OTHERWISE SPECIFIED MATERIAL AS NOTED		APPROVALS DRAWN DH	DATE 7/26/10		
FINISH AS NOTED		CHECKED	APPROVED	SIZE B	DWG. NO. DMB-4772
DO NOT SCALE DRAWING				SCALE	CAD FILE:

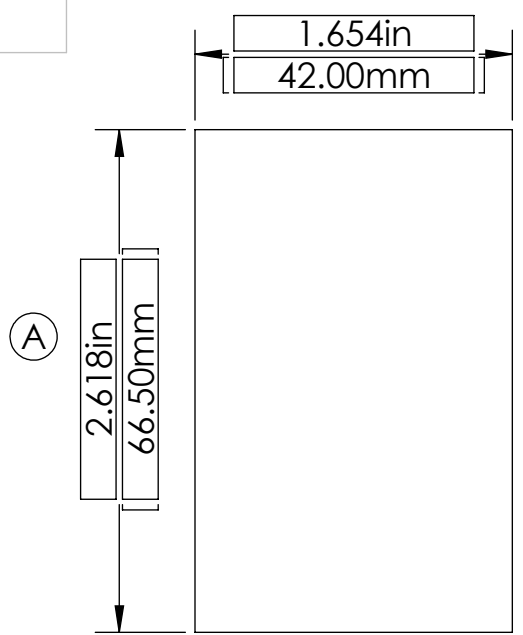
THE INFORMATION CONTAINED IN THIS DRAWING IS THE SOLE PROPERTY OF BUD INDUSTRIES INC. ANY REPRODUCTION IN PART OR WHOLE WITHOUT THE WRITTEN PERMISSION OF BUD INDUSTRIES INC. IS PROHIBITED.

DWG. NO.	DMB-4772	
ISSUE	REVISIONS	
(A)	SEE SHEET 1	

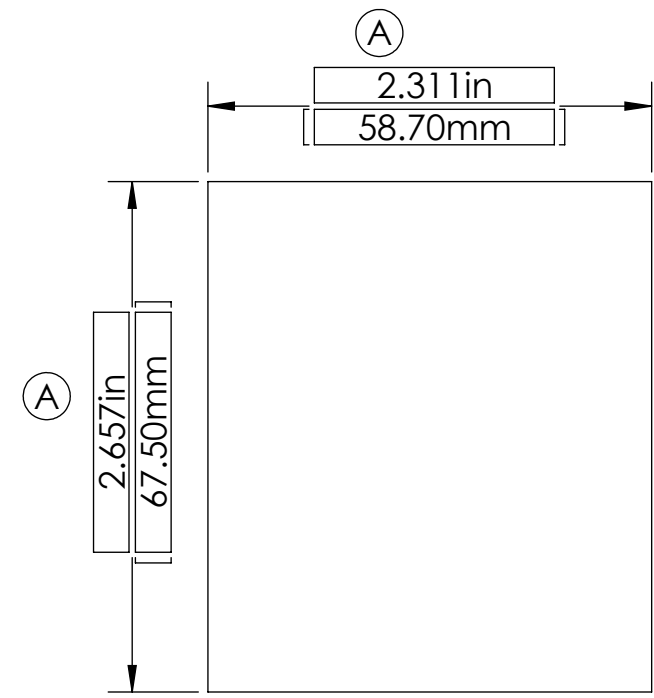
D
C
B
A



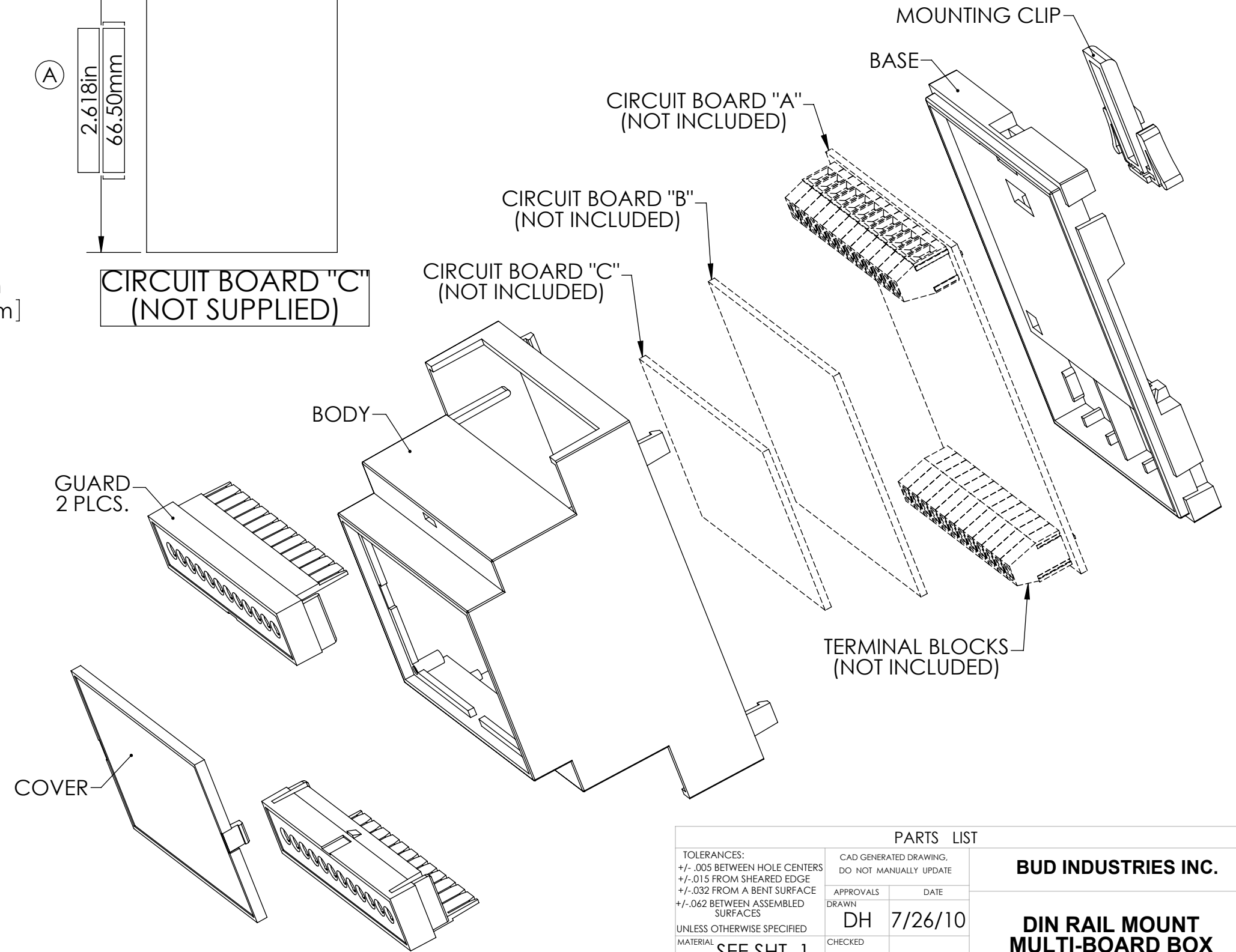
CIRCUIT BOARD "A"
(NOT SUPPLIED)



CIRCUIT BOARD "C"
(NOT SUPPLIED)



CIRCUIT BOARD "B"
(NOT SUPPLIED)



TOLERANCES:		PARTS LIST		BUD INDUSTRIES INC.
+/- .005 BETWEEN HOLE CENTERS	UNLESS OTHERWISE SPECIFIED MATERIAL	CAD GENERATED DRAWING, DO NOT MANUALLY UPDATE	APPROVALS	
+/- .015 FROM SHEARED EDGE			DH	7/26/10
+/- .032 FROM A BENT SURFACE			CHECKED	
+/- .062 BETWEEN ASSEMBLED SURFACES			APPROVED	
FINISH	SEE SHT. 1	DO NOT SCALE DRAWING		
SIZE	DWG. NO.	SCALE	CAD FILE:	REV.
B	DMB-4772			
				SHEET 2 OF 2

8 7 6 5 4 3 2 1

Mouser Electronics

Authorized Distributor

Click to View Pricing, Inventory, Delivery & Lifecycle Information:

[Bud Industries:](#)

[DMB-4772-TGH](#) [DMB-4772-TGS](#)