

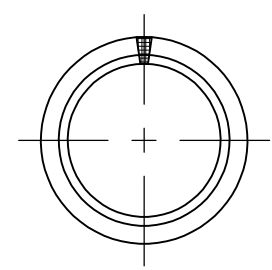
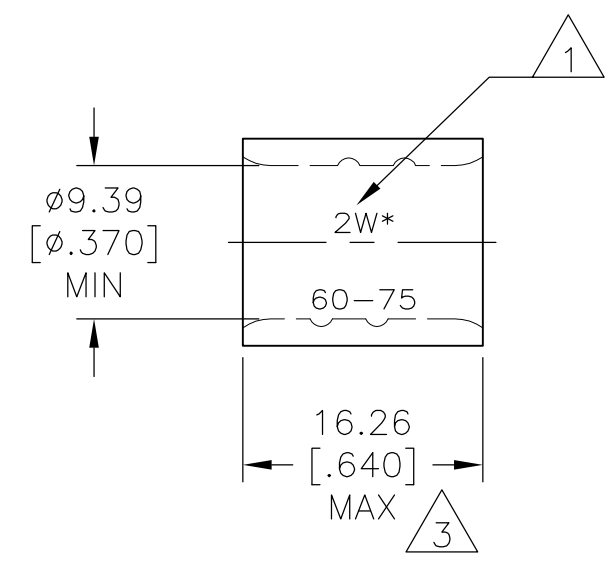
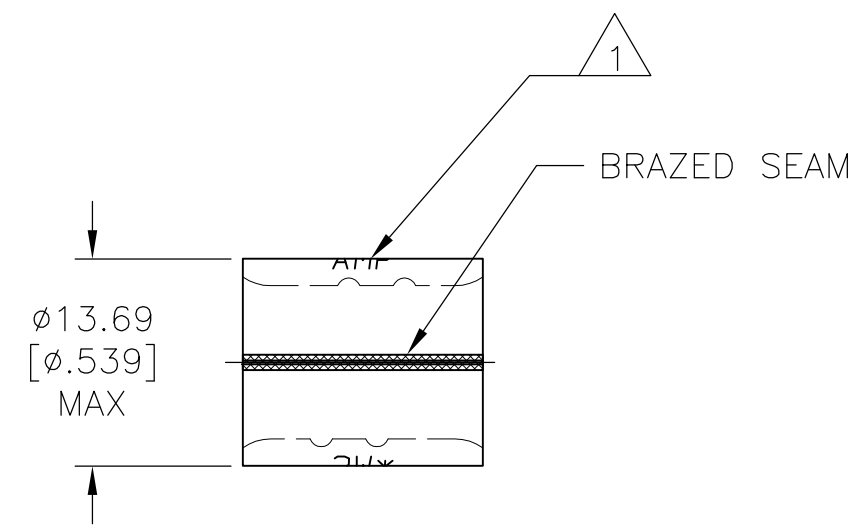
THIS DRAWING IS UNPUBLISHED. RELEASED FOR PUBLICATION
 © COPYRIGHT - By - ALL RIGHTS RESERVED.

REVISIONS				
P	LTR	DESCRIPTION	DATE	APVD
	F5	REVISED PER ECR-17-000959	24FEB2017	RS DR

AMP
WIRE RANGE

2 AWG
SOLID OR STRANDED

- 1 STAMP AMP 2W* 60-75 APPROX AS SHOWN.
- 2 MATERIAL THK: 1.78^{±0.08} [.070^{±.003}].
- 3 MAX LENGTH DOES NOT INCLUDE MANUFACTURING TABS.
- 4 TIN PLATE 0.00254 [.000100] MIN. EXT. THK. PER ASTM B545.
- 5 TIN/LEAD (60/40) PLATE, 0.00254 [.000100] MIN. EXT. THK. PER SAE-AMS-P-81728.
- 6 UL LISTED E13288, 2 AWG STRANDED.
- 7 NOTE DELETED.
- 8 CSA CERTIFIED LR7189, 2 AWG SOLID OR STRANDED.
- 9 NICKEL PLATE 0.00762 [.000300] MIN. EXT. THK. PER SAE AMS QQ-N-290.



PRELIMINARY

MAX. OPERATING TEMPERATURE	QTY.	PACKAGE TYPE	APPROVALS	FINISH	PART NO.
170°C [338°F]	25	LOOSE PIECE	6 8	4	8-35187-3
343°C [650°F]	50		---	9	35187-3
170°C [338°F]	50		---	5	35187-1
	50		6 8	4	35187

AMP INCORPORATED
CUSTOMER SERVICE SYSTEMS

FOR ADDITIONAL PRODUCT INFORMATION OR COPIES OF DRAWINGS AND TECHNICAL DOCUMENTS
 PRODUCT INFORMATION CENTER
 1-800-522-6752

FOR APPLICATION TOOLING INFORMATION
 TOOLING ASSISTANCE CENTER
 1-800-722-1111

FOR ORDER ENTRY
 1-800-526-5142

MAX RECOMMENDED OPERATING TEMPERATURE:
SEE TABLE

VOLTAGE RATING:
N/A

CIRCULAR MIL AREA:
26.7-42.4mm² [52,600-83,700]
SOLID OR STRANDED

THIS DRAWING IS A CONTROLLED DOCUMENT.

DIMENSIONS:
mm [INCHES]

TOLERANCES UNLESS OTHERWISE SPECIFIED:

0 PLC	± -
1 PLC	± -
2 PLC	± 0.20 [.008]
3 PLC	± -
4 PLC	± -
ANGLES	± -

MATERIAL: COPPER ASTM B-152

FINISH: SEE TABLE

DWN DK SCHRUM 8/28/92
 CHK DA PATTERSON 9/8/92
 APVD DA PATTERSON 9/8/92

STE TE Connectivity

NAME: SPLICE, PARALLEL, SOLISTRAND

SIZE: A3 CAGE CODE: 00779 DRAWING NO: C-35187 RESTRICTED TO: -

WEIGHT: -

CUSTOMER DRAWING SCALE: 2:1 SHEET: 1 OF 1 REV: F5

Mouser Electronics

Authorized Distributor

Click to View Pricing, Inventory, Delivery & Lifecycle Information:

[TE Connectivity:](#)

[35187](#)