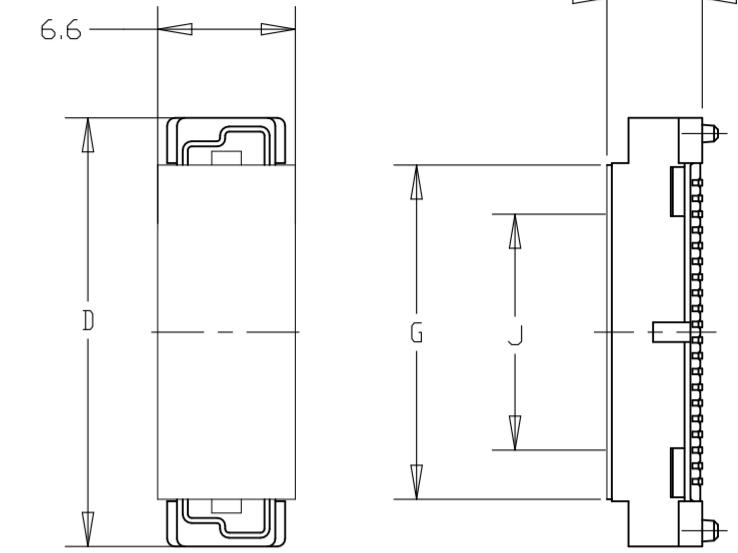
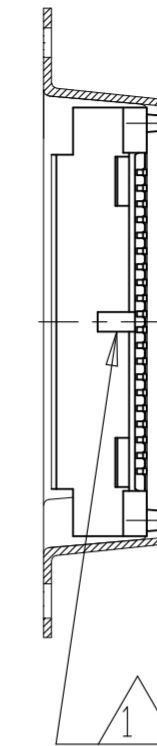
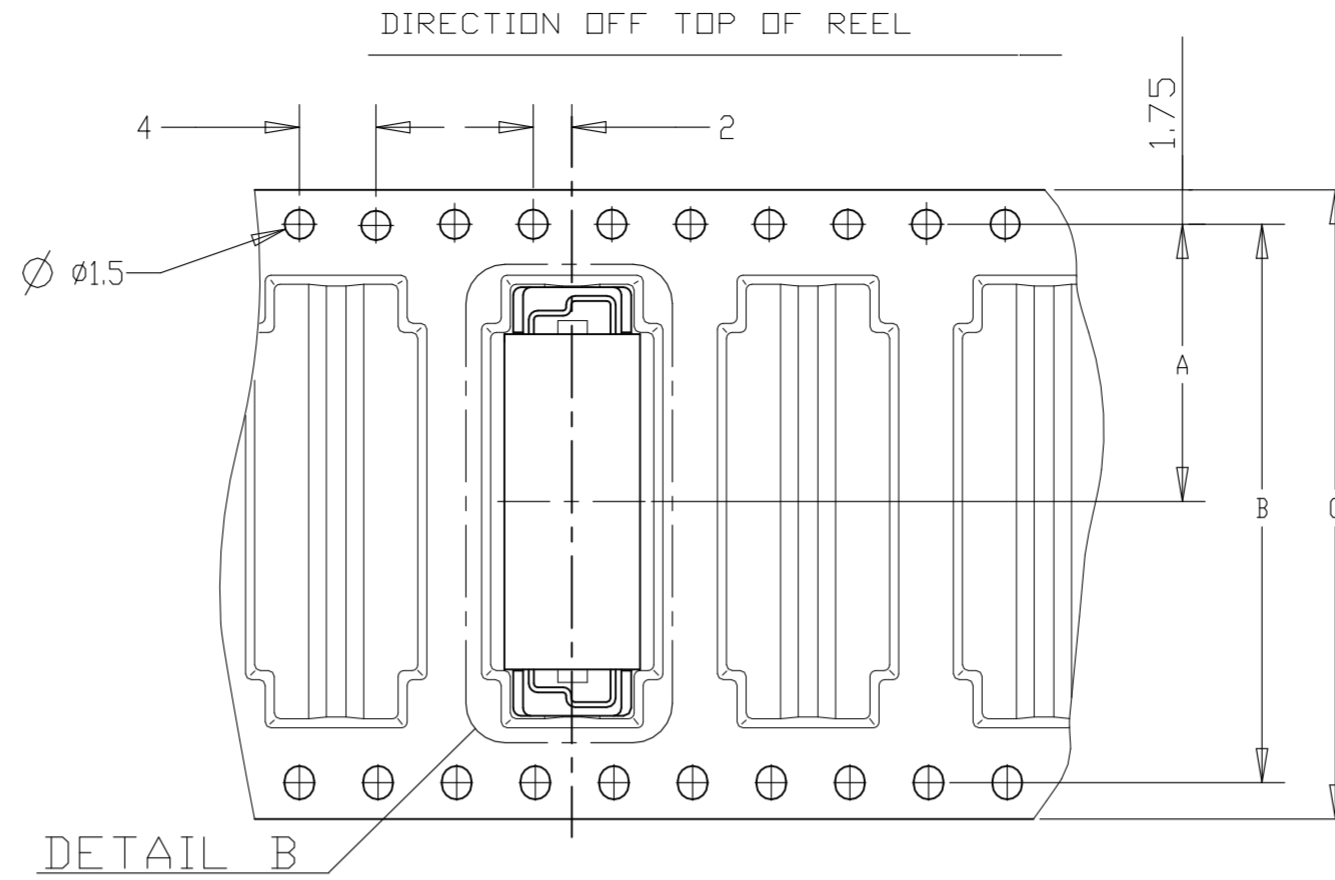


REVISIONS					
P	LTR	DESCRIPTION	DATE	DWN	APVD
-	-	SEE SHEET 1	-	-	-

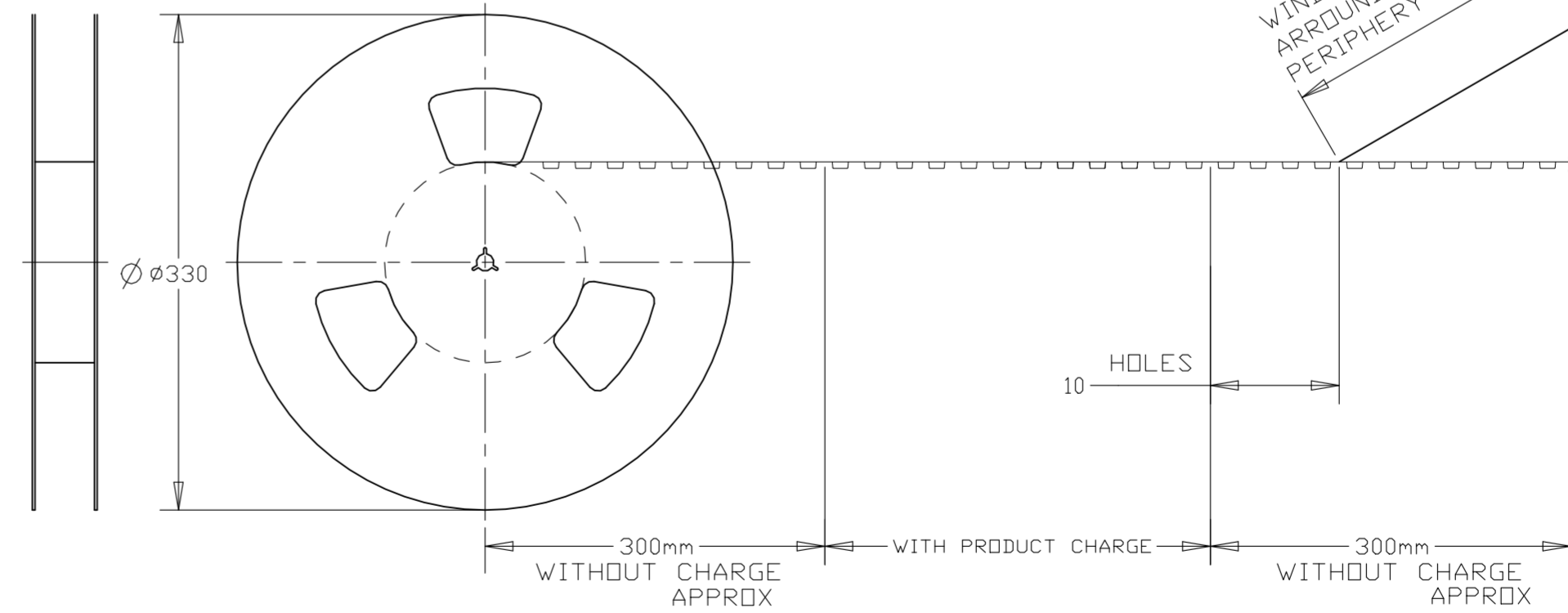
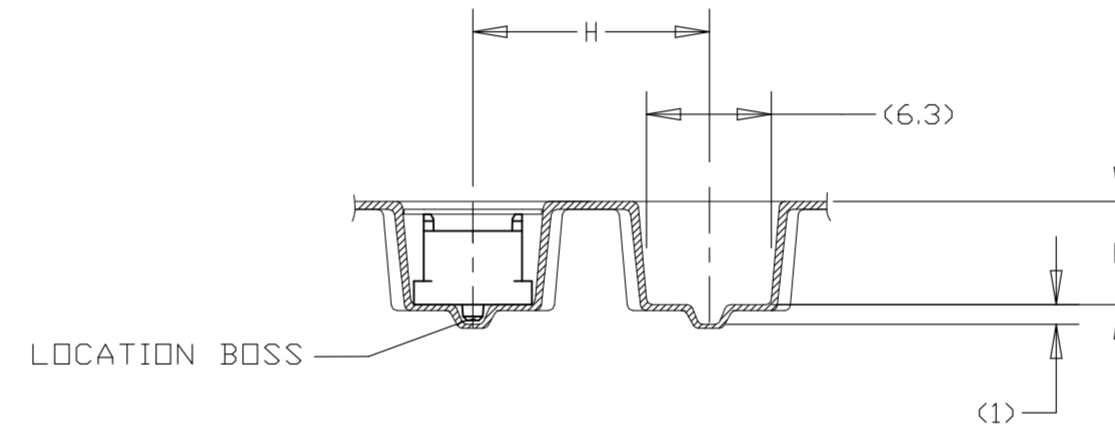
LOW HALOGEN

POLYIMIDE COVER

Notes:
 6 0.0002 MIN GOLD PLATING
 (7.8u INCHES GOLD PLATING)



DETAIL B



WINDING THE COVER TAPE
 AROUND THE OUTER
 PERIPHERY IN A TURN.

800	6H	2.6	5.6	12	12	17	5.85	6.25	37.8	56	52.4	26.2	80	9-5177986-3	
650	5H	1.2	4.6	12	16	17	4.85	5.25	61.8	88	84.4	42.2	140	9-5177986-6	
REMARKS	QTY	HEIGHT TYPE	Y	X	J	H	G	F	E	D	C	B	A	POS	SALEABLE PART NO.

THIS DRAWING IS A CONTROLLED DOCUMENT.

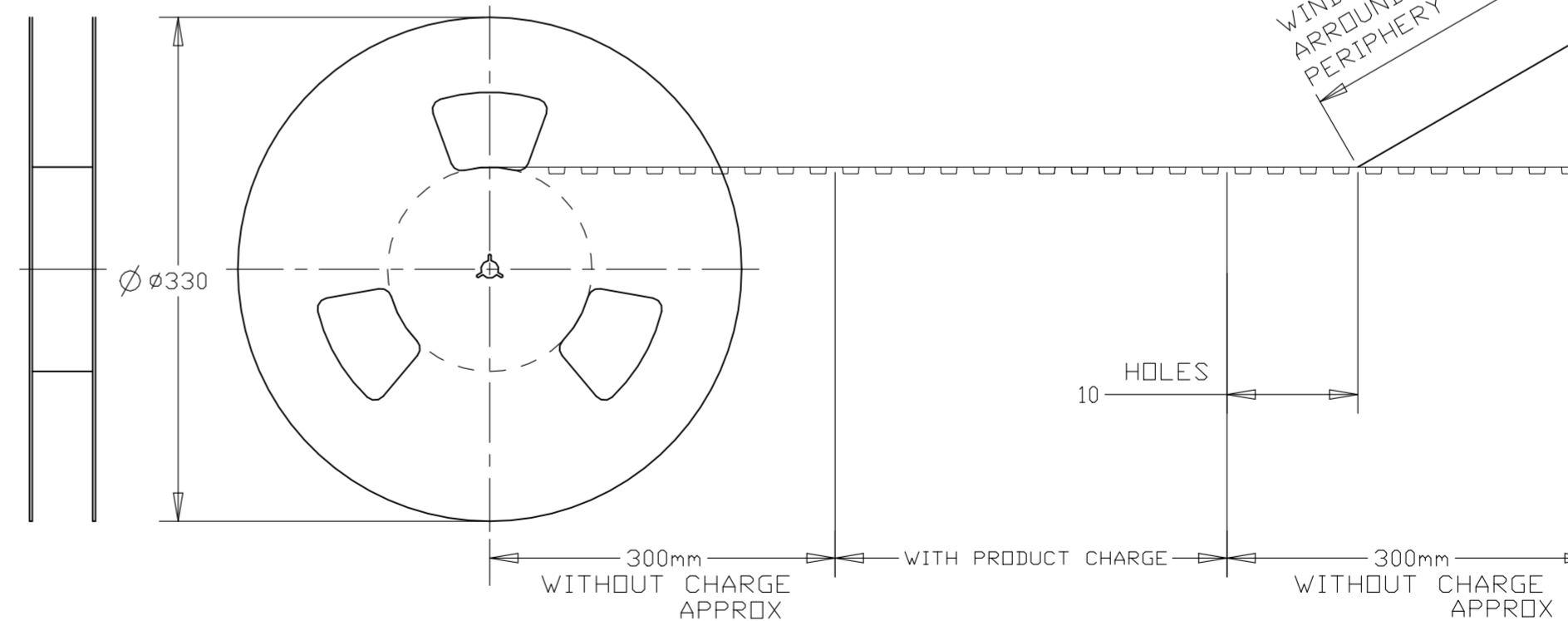
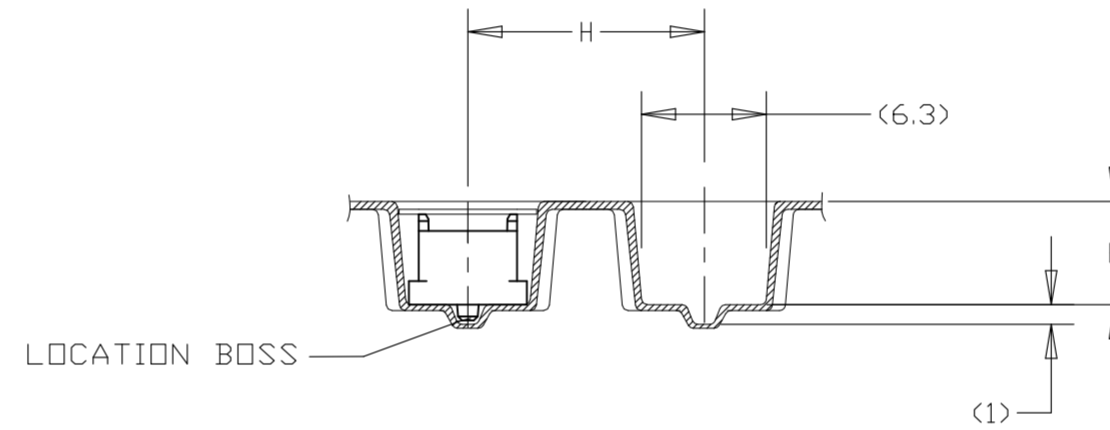
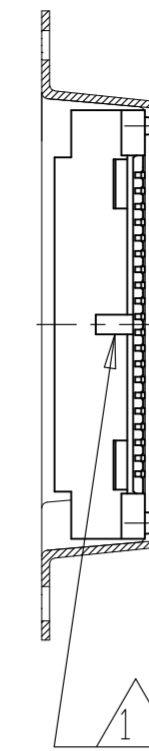
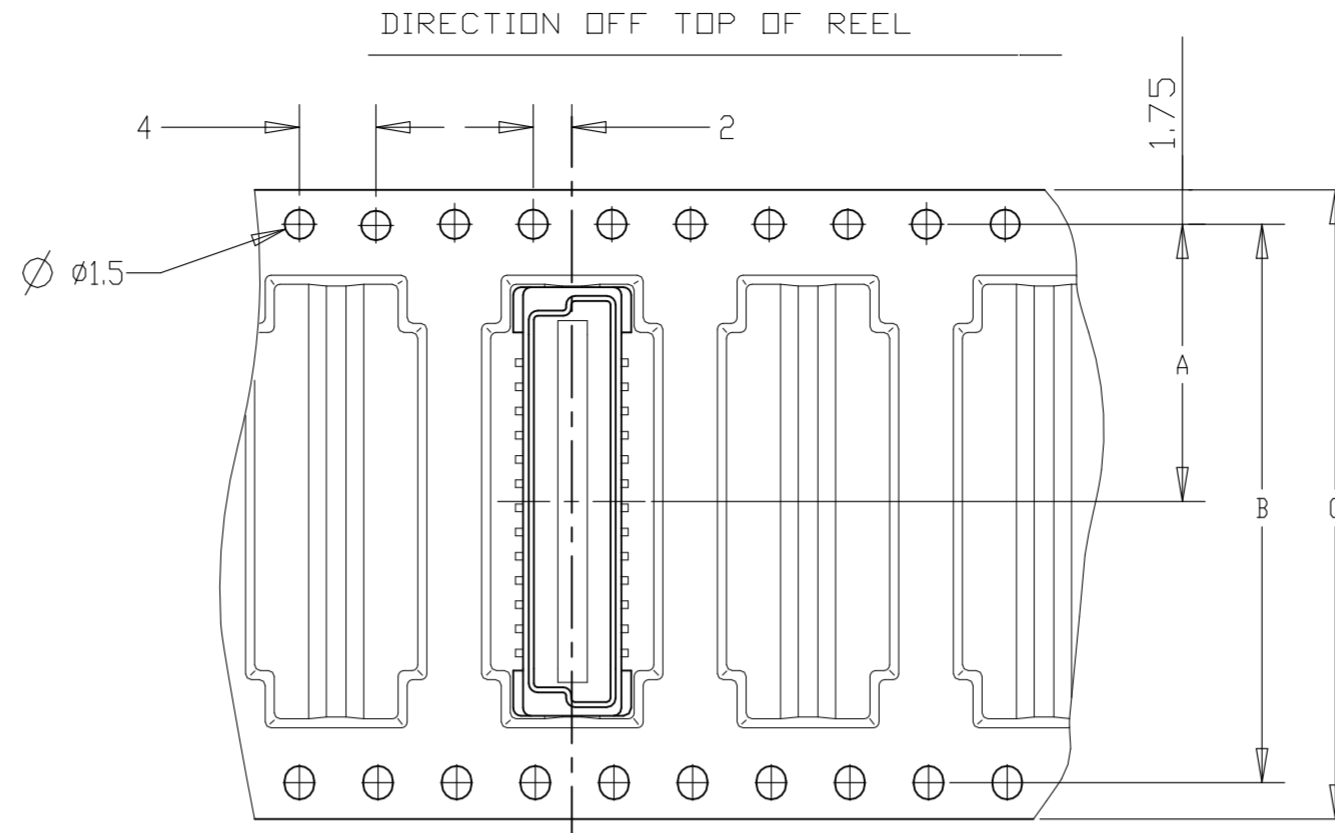
DWN	FLORENCE TAN	30AUG2004	 TE Connectivity Ltd.	
CHK	ERIC TNG	30MAY2012		
APVD	SF LEONG	30MAY2012		
PRODUCT SPEC	108-5390			
MATERIAL	SEE NOTE	FINISH	SEE NOTE	
WEIGHT	-	SCALE	1:1	
CUSTOMER DRAWING	SIZE	A2	CAGE CODE	00779
	DRAWING NO	C=5177986		
	RESTRICTED TO	-		
	SHEET	2 of 4		
	REV	F8		

REVISIONS					
P	LTR	DESCRIPTION	DATE	DWN	APVD
-	-	SEE SHEET 1	-	-	-

LOW HALOGEN

WITHOUT COVER

Notes:
 2 0.00038 MIN GOLD PLATING
 (15μ INCHES GOLD PLATING)



REMARKS	QTY	HEIGHT TYPE	Y	X	H	E	C	B	A	POS	SALEABLE PART NO.
	650	5H	1.2	4.6	16	5.25	88	84.4	42.2	160	8-5177986-8
	650	5H	1.2	4.6	16	5.25	72	68.4	34.2	120	8-5177986-5

THIS DRAWING IS A CONTROLLED DOCUMENT.

DWN	FLORENCE TAN	30AUG2004	 TE Connectivity Ltd.
CHK	ERIC TNG	30MAY2012	
APVD	SF LEONG	30MAY2012	
PRODUCT SPEC	108-5390		
MATERIAL	SEE NOTE	FINISH	SEE NOTE
WEIGHT			-
CUSTOMER DRAWING			SCALE 1:1 SHEET 3 of 4 REV F8

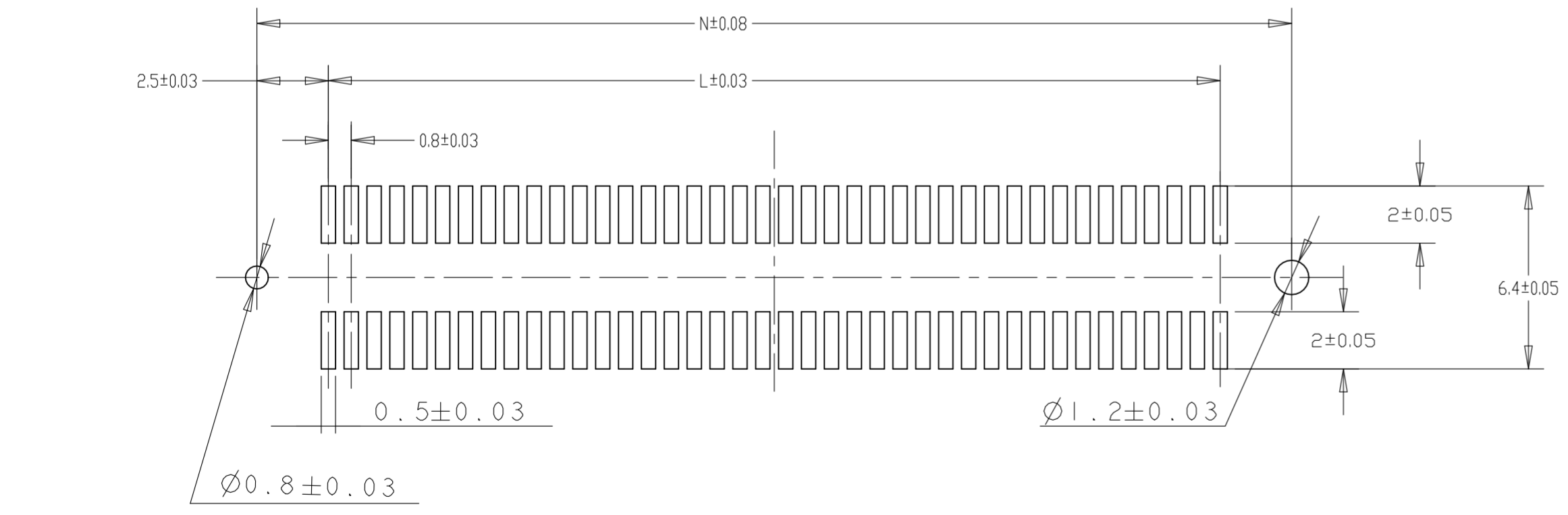
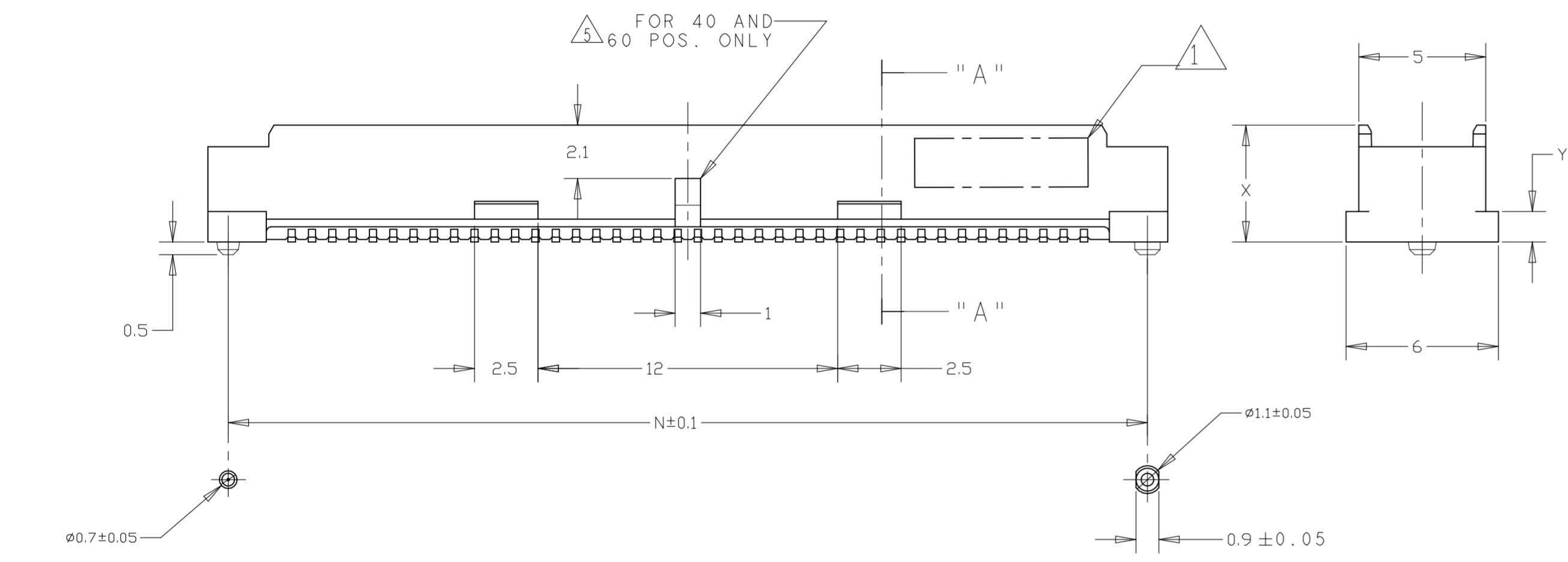
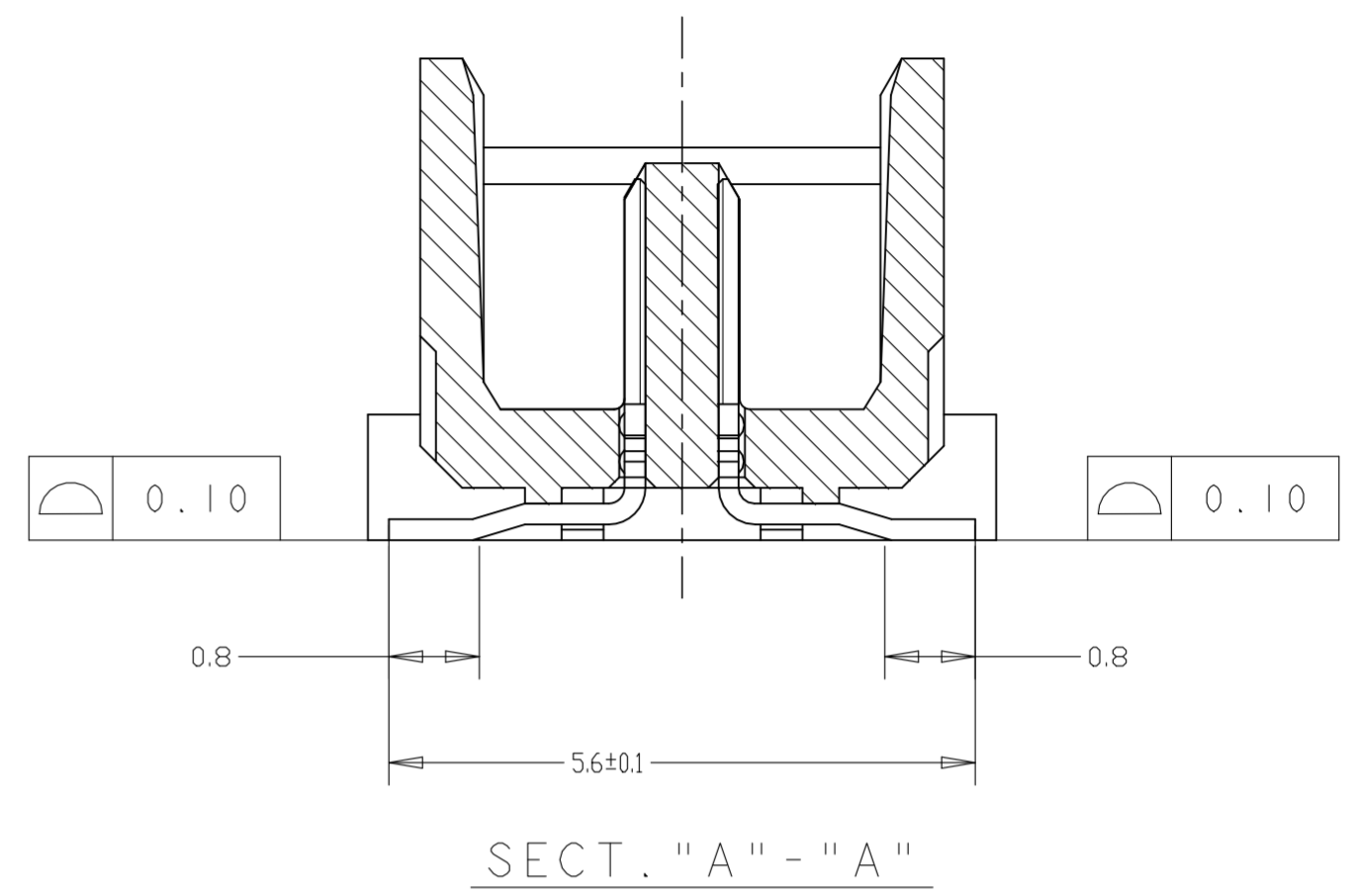
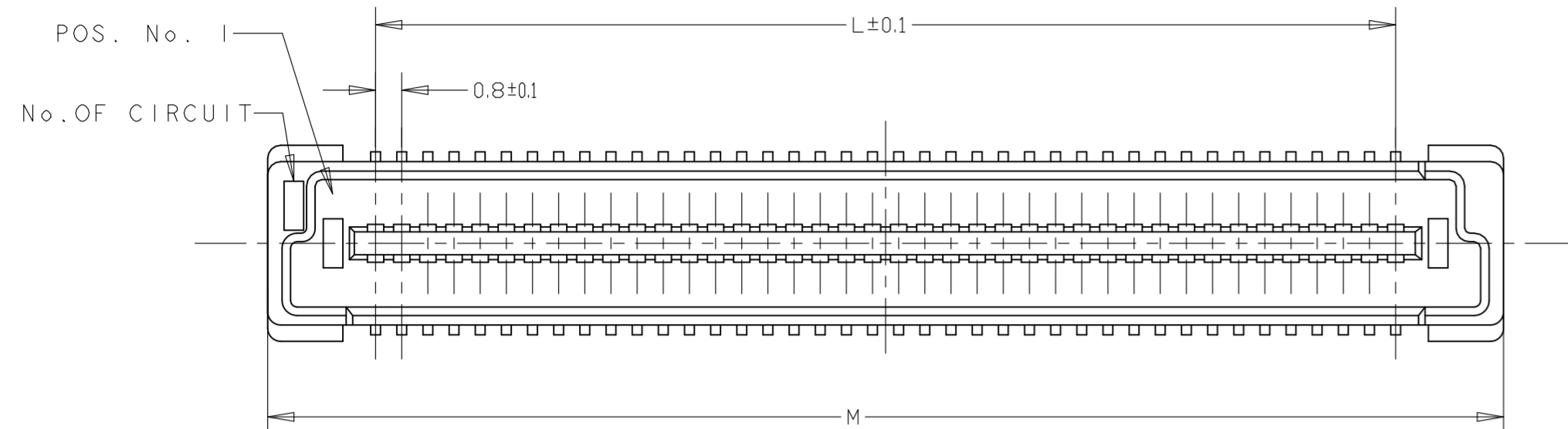
NAME: PLUG ASSEMBLY, FH 0.8
ON TAPING (EMBOSS) 0.5 BOSS LENGTH

SIZE: A2 CAGE CODE: 00779 DRAWING NO: C=5177986 RESTRICTED TO: -

P	LTR	DESCRIPTION	DATE	DWN	APVD
-	-	SEE SHEET 1	-	-	-

LOW HALOGEN

CONNECTOR ONLY



RECOMMENDED P.C. BOARD LAYOUT

84.2	85.8	79.2	200
76.2	77.8	71.2	180
68.2	69.8	63.2	160
60.2	61.8	55.2	140
52.2	53.8	47.2	120
44.2	45.8	39.2	100
36.2	37.8	31.2	80
28.2	29.8	23.2	60
20.2	21.8	15.2	40
N	M	L	POS.

THIS DRAWING IS A CONTROLLED DOCUMENT.

DWN FLORENCE TAN 30AUG2004	TE Connectivity Ltd.					
CHK ERIC TNG 30MAY2012						
APVD SF LEONG 30MAY2012						
NAME PLUG ASSEMBLY, FH 0.8 ON TAPING (EMBOSS) 0.5 BOSS LENGTH						
DIMENSIONS: mm	TOLERANCES UNLESS OTHERWISE SPECIFIED: 0 PLC ± - 1 PLC ± 0.2 2 PLC ± 0.15 3 PLC ± 0.1 4 PLC ± - ANGLES ± 3°	PRODUCT SPEC 108-5390	SIZE A2	CAGE CODE 00779	DRAWING NO C=5177986	RESTRICTED TO -
MATERIAL SEE NOTE	FINISH SEE NOTE	WEIGHT -	SCALE 1:1	SHEET 4 of 4	REV F8	

CUSTOMER DRAWING

Mouser Electronics

Authorized Distributor

Click to View Pricing, Inventory, Delivery & Lifecycle Information:

[TE Connectivity:](#)

[3-5177986-9](#)