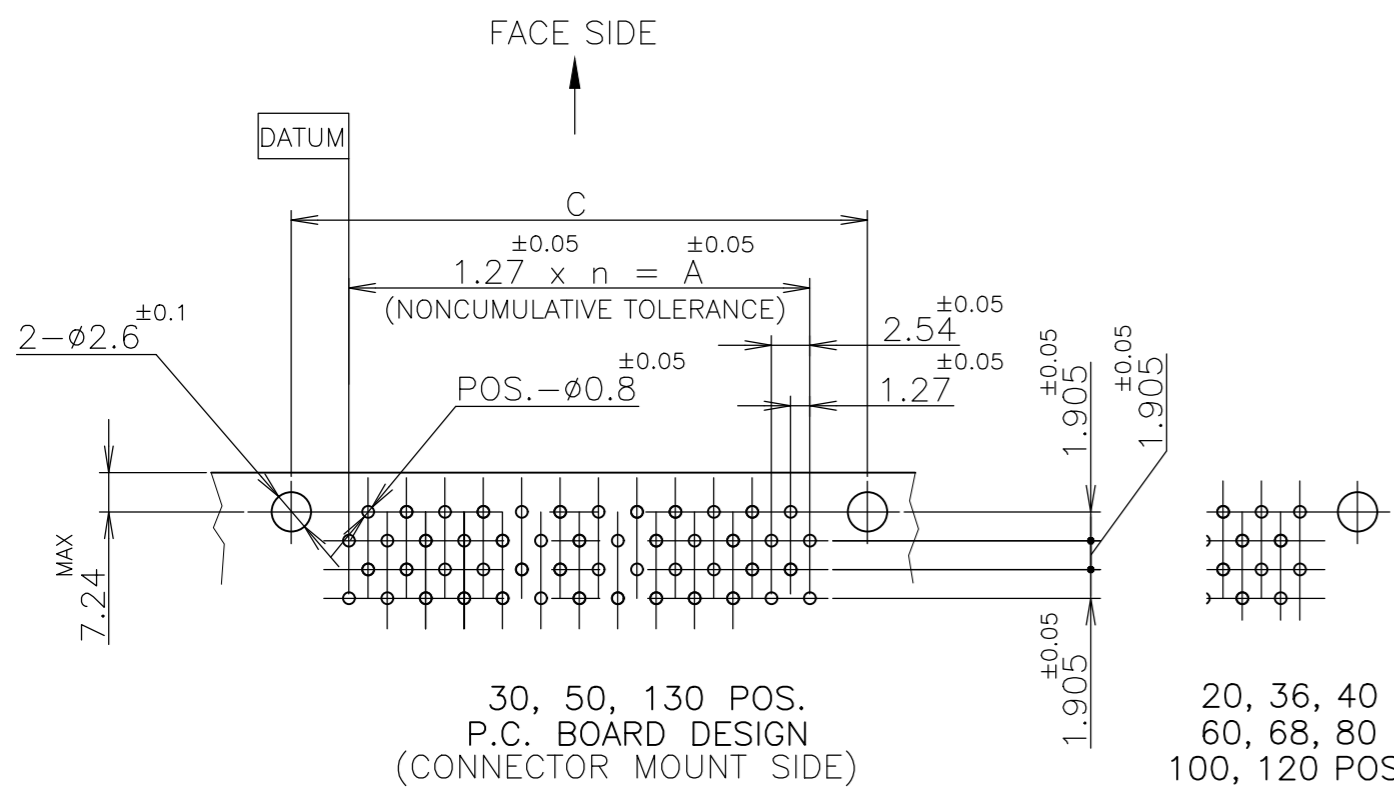
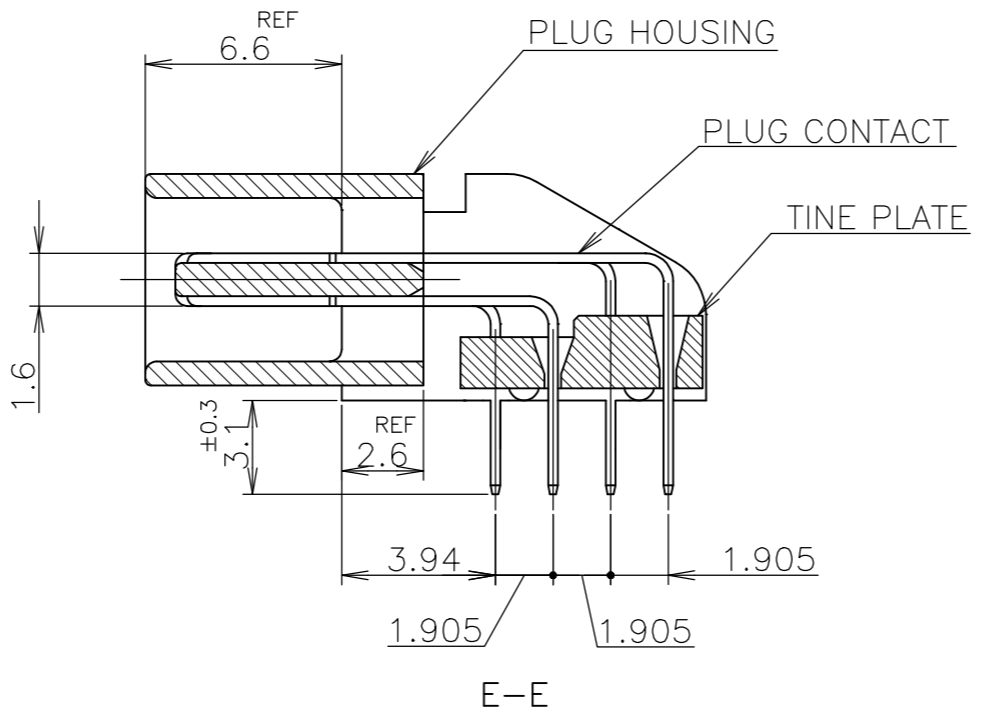
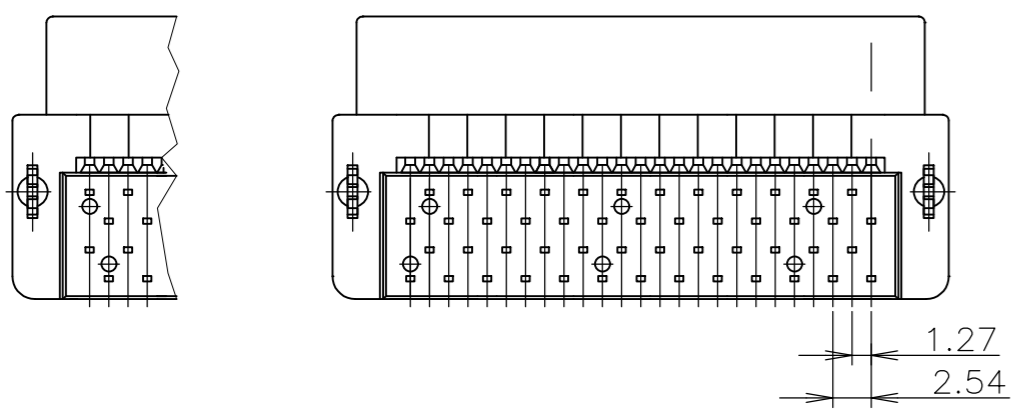
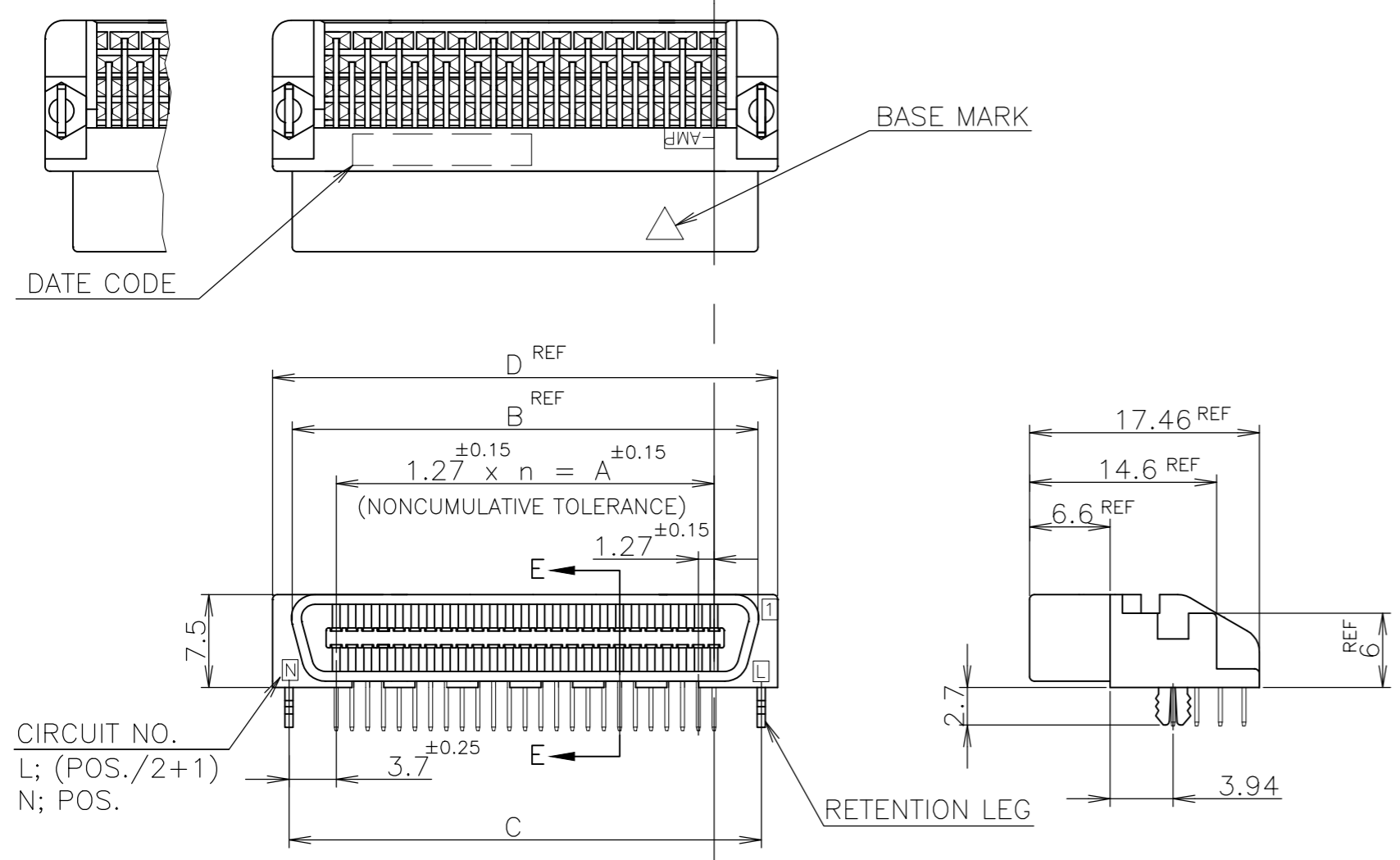


REVISIONS					
P	LTR	DESCRIPTION	DATE	DWN	APVD
C		REVISED PER ECO-17-008763	22JAN2018	RG	SH

20, 40, 60, 68, 80
100, 120 POS.
30, 50, 130 POS.

- 1 NUMBER "n" IS COUNTED FROM DATUM
(CIRCUIT NO.1 IS "AMP" MARK SIDE.)
- ⚠ MATERIA: HOUSING, 66 NYLON (GF) UL 94V-0, BLACK.
: CONTACT, PHOSPHOR BRONZE.
: RETENTION LEG; BRASS.
- ⚠ FINISH: CONTACT; Au AT CONTACT AREA (SEE TABLE), TIN AT TINE, OVER Ni.
RETENTION LEG; TIN UNDER Ni.



	6-	5-	4-	3-	2-	1-	0	130	64	81.28	89.62	88.68	92.48
OBSOLETE	6-	-1						120	59	74.93	83.27	82.33	86.13
	6-	-0						100	49	62.23	70.57	69.63	73.43
	5-	-9						80	39	49.53	57.87	56.93	60.73
	5-	-8						68	33	41.91	50.25	49.31	53.11
	5-	-7						60	29	36.83	45.17	44.23	48.03
	5-	-6						50	24	30.48	38.82	37.88	41.68
	5-	-5						40	19	24.13	32.47	31.53	35.33
	5-	-4						36	17	21.59	29.93	28.99	32.79
OBSOLETE	5-	-3						30	14	17.78	26.12	25.18	28.98
OBSOLETE	5-	-1					0.00076	20	9	11.43	19.77	18.83	22.63
OBSOLETE	4-	-2						130	64	81.28	89.62	88.68	92.48
	4-	-1						120	59	74.93	83.27	82.33	86.13
	4-	-0						100	49	62.23	70.57	69.63	73.43
	3-	-9						80	39	49.53	57.87	56.93	60.73
	3-	-8						68	33	41.91	50.25	49.31	53.11
	3-	-7						60	29	36.83	45.17	44.23	48.03
	3-	-6						50	24	30.48	38.82	37.88	41.68
	3-	-5						40	19	24.13	32.47	31.53	35.33
OBSOLETE	3-	-4						36	17	21.59	29.93	28.99	32.79
	3-	-3						30	14	17.78	26.12	25.18	28.98
	3-	-1					0.0005	20	9	11.43	19.77	18.83	22.63
OBSOLETE	1-	-2						130	64	81.28	89.62	88.68	92.48
	1-	-1						120	59	74.93	83.27	82.33	86.13
	1-	-0						100	49	62.23	70.57	69.63	73.43
OBSOLETE		-9						80	39	49.53	57.87	56.93	60.73
		-8						68	33	41.91	50.25	49.31	53.11
		-7						60	29	36.83	45.17	44.23	48.03
OBSOLETE		-6						50	24	30.48	38.82	37.88	41.68
OBSOLETE		-5						40	19	24.13	32.47	31.53	35.33
		-4						36	17	21.59	29.93	28.99	32.79
		-3						30	14	17.78	26.12	25.18	28.98
								20	9	11.43	19.77	18.83	22.63
								5175472-1		0.0002			
								PART NO.	Au PLATE	POS.	n	A	B
											C	D	

LEAD FREE

GENERAL TOLERANCE
 10 ≥ ± 0.2
 30 ≥ > 10: ± 0.25
 100 ≥ > 30: ± 0.3
 ANGLES: ± 3°

THIS DRAWING IS A CONTROLLED DOCUMENT.

DWN	Julyee Zhu	18AUG2004
CHK	Steven Yao	18AUG2004
APVD	Ikuo Enomoto	18AUG2004
PRODUCT SPEC	108-60038	
APPLICATION SPEC		
WEIGHT	0.000000	
CUSTOMER DRAWING		

TE Connectivity Ltd.

AMP CHAMP .050 CONNECTOR (B-T-B)
 PLUG CONNECTOR
 (HORIZONTAL WITH RETENTION LEG)

SIZE A2 CAGE CODE 00779 DRAWING NO. C=5175472 RESTRICTED TO

SCALE NTS SHEET 1 OF 1 REV C

Mouser Electronics

Authorized Distributor

Click to View Pricing, Inventory, Delivery & Lifecycle Information:

[TE Connectivity:](#)

[3-5175472-3](#)