

P	LTR	DESCRIPTION	DATE	DWN	APVD
R5		REDRAWN PER ECO-19-005708	06MAY2019	BKW	SF

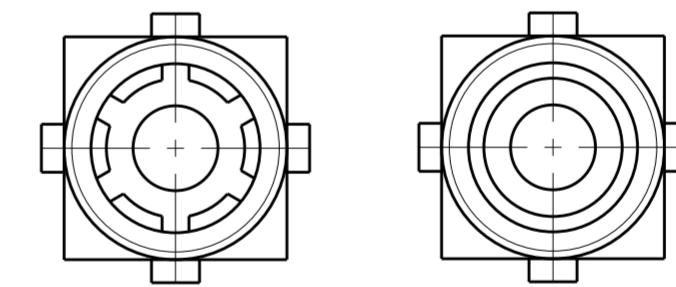
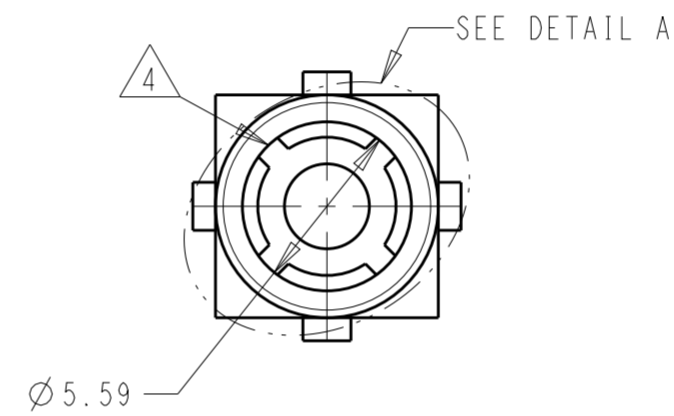
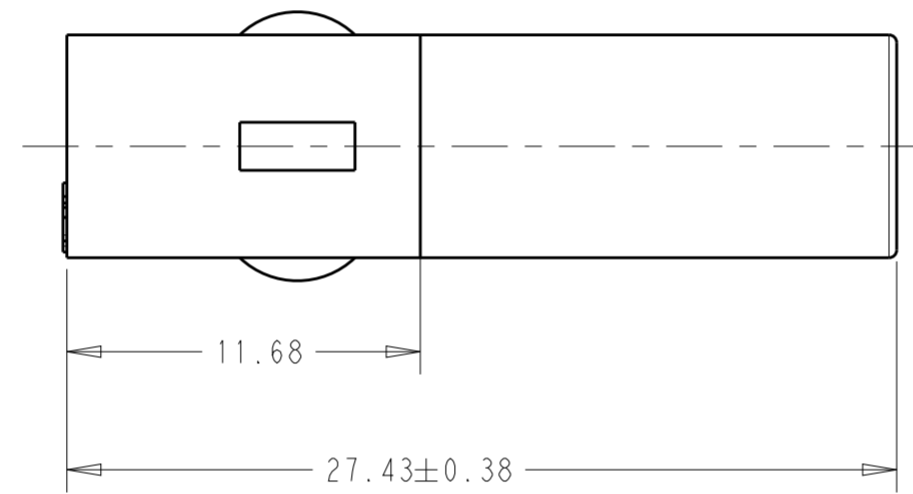
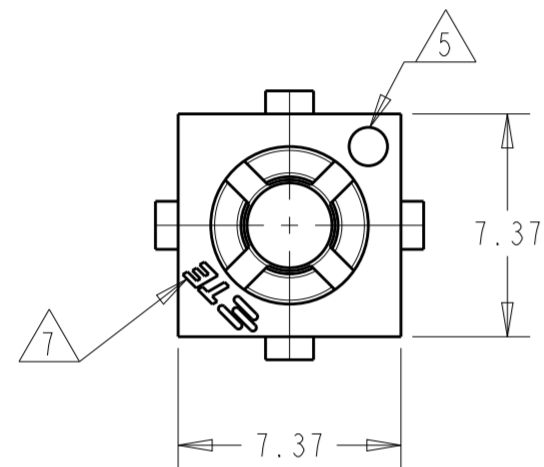
- MATES WITH APPROPRIATE UNIVERSAL MATE-N-LOCK™ CAP
- SMALL NICKS ARE PERMITTED ON THE CIRCUIT TOWER WHICH COULD INCREASE THE INITIAL HOUSING MATING FORCE BY UP TO 2.2 NEWTONS (.5 LBS.)
- DIMENSIONS SHOWN REPRESENT PRODUCT IN DRY, AS MOLDED, CONDITION. ADDITIONAL 2% GROWTH DUE TO SUBSEQUENT MOISTURE ABSORPTION MAY OCCUR AND SHOULD BE ACCOUNTED FOR.

△4 FOUR RIBS EQUALLY SPACED, NO SPECIFIC ORIENTATION. NO RIBS OR SIX RIBS EQUALLY SPACED, NO SPECIFIC ORIENTATION, OPTIONAL.

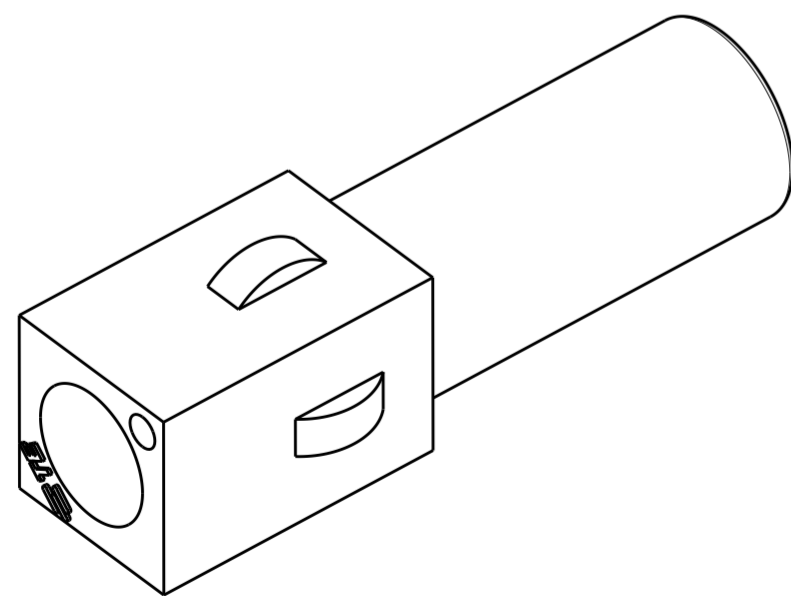
△5 CSA LOGO LOCATED APPROXIMATELY AS SHOWN.

△6 MATERIAL: PA66, UL94 V-0, GWIT 775°C

△7 TRADEMARK LOCATION: AMP OR TE



DETAIL A
OPTIONAL CONSTRUCTIONS



△6	NATURAL	1-350865-1
	NATURAL	350865-1
	COLOR	PART NUMBER

THIS DRAWING IS A CONTROLLED DOCUMENT.		DWN B. WEAVER 06MAY2019	TE Connectivity																	
DIMENSIONS:		CHK S. FERNANDES 06MAY2019																		
TOLERANCES UNLESS OTHERWISE SPECIFIED:		APVD T. BENCHOFF 06MAY2019																		
mm		NAME PLUG, SINGLE CIRCUIT, UNIVERSAL MATE-N-LOCK																		
<table border="1"> <tr> <td>0 PLC</td> <td>±</td> </tr> <tr> <td>1 PLC</td> <td>±</td> </tr> <tr> <td>2 PLC</td> <td>±0.13</td> </tr> <tr> <td>3 PLC</td> <td>±</td> </tr> <tr> <td>4 PLC</td> <td>±</td> </tr> <tr> <td>ANGLES</td> <td>±0° 30'</td> </tr> <tr> <td>FINISH</td> <td>-</td> </tr> </table>		0 PLC	±	1 PLC	±	2 PLC	±0.13	3 PLC	±	4 PLC	±	ANGLES	±0° 30'	FINISH	-	PRODUCT SPEC -	SIZE A2	CAGE CODE 00779	DRAWING NO C-350865	RESTRICTED TO -
0 PLC	±																			
1 PLC	±																			
2 PLC	±0.13																			
3 PLC	±																			
4 PLC	±																			
ANGLES	±0° 30'																			
FINISH	-																			
MATERIAL NYLON UL 94V-0		APPLICATION SPEC -	WEIGHT -	CUSTOMER DRAWING		SCALE 4:1	SHEET 1 OF 1	REV R6												

Mouser Electronics

Authorized Distributor

Click to View Pricing, Inventory, Delivery & Lifecycle Information:

[TE Connectivity:](#)

[350865-1](#)