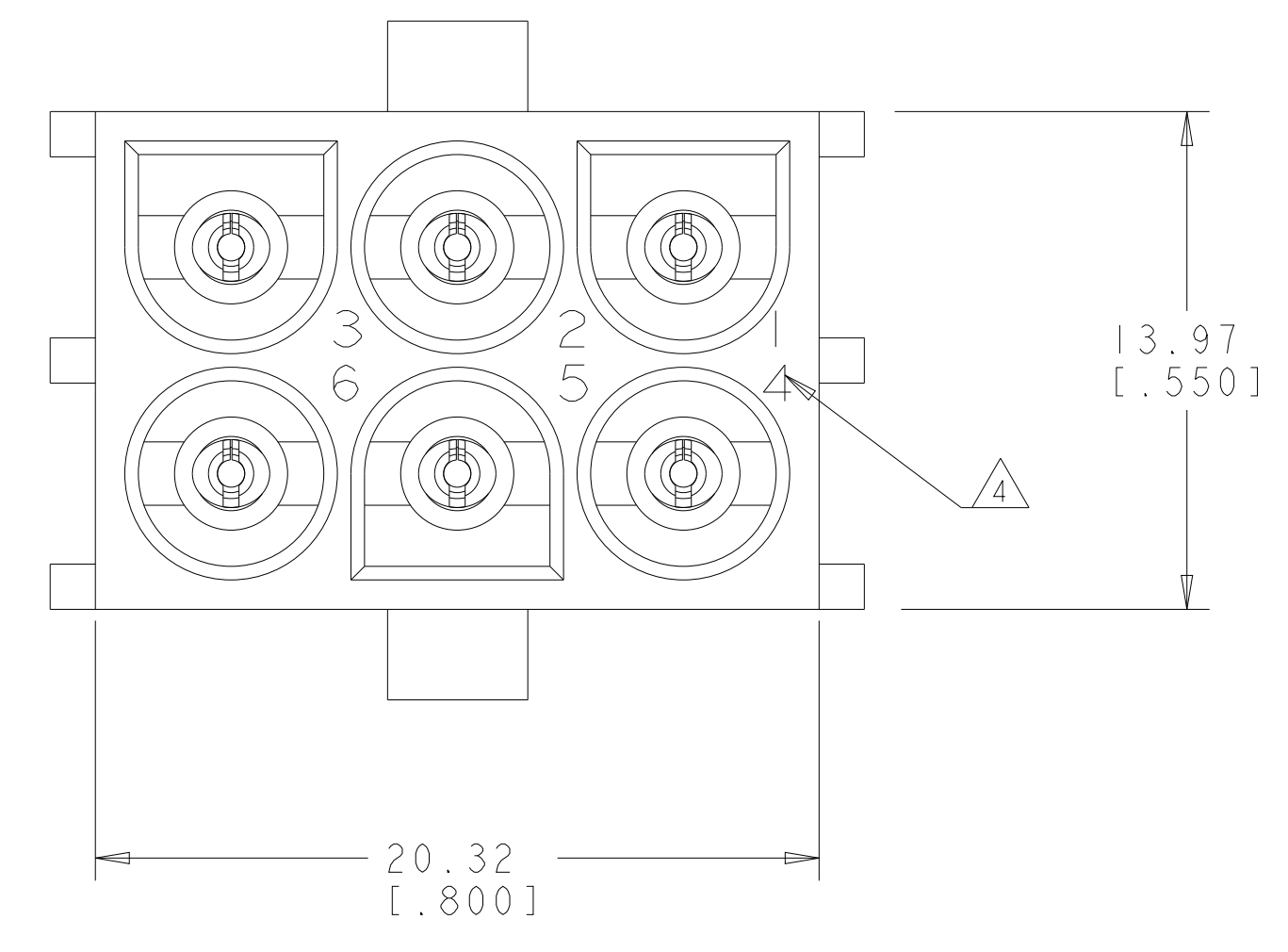
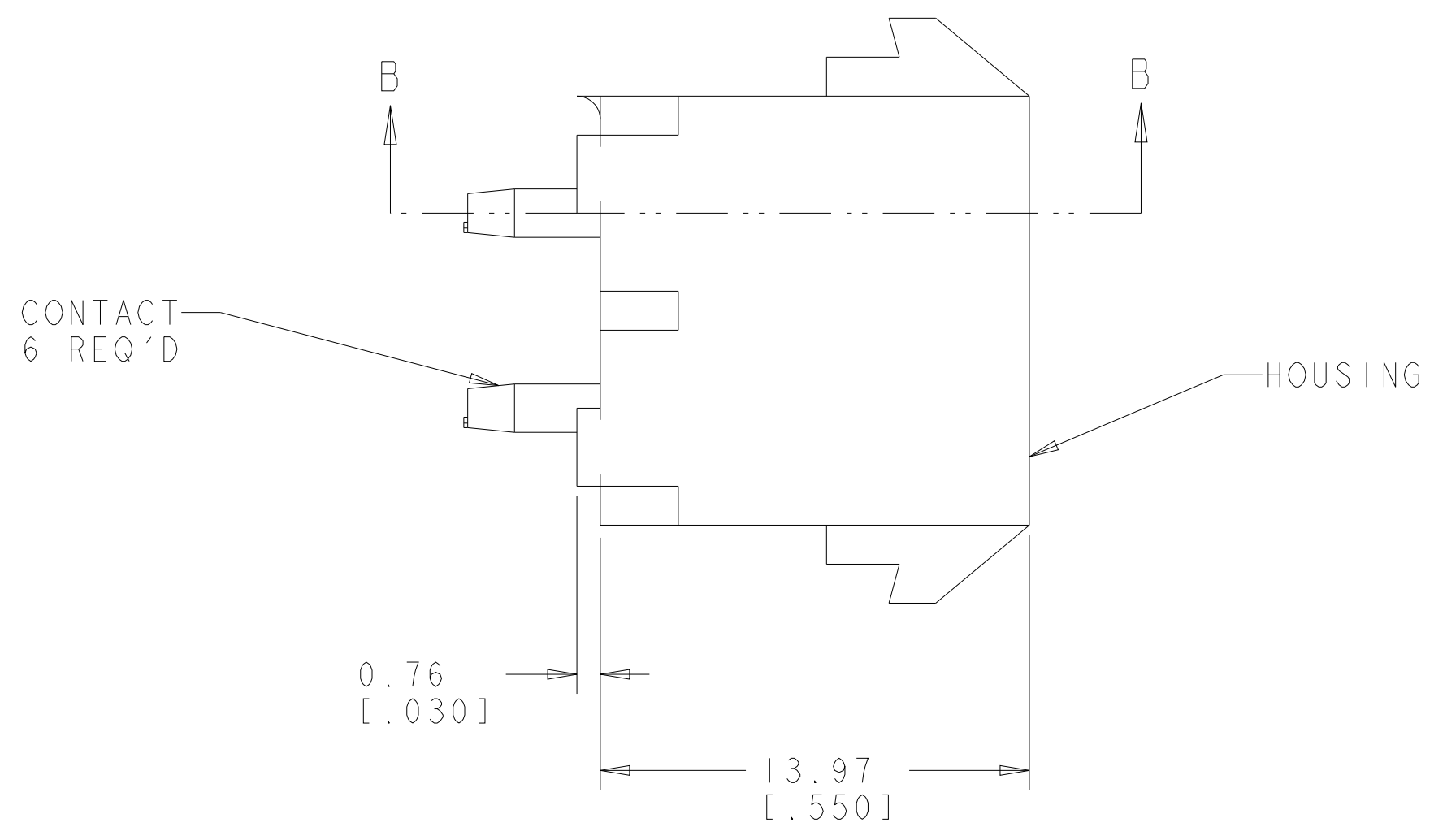
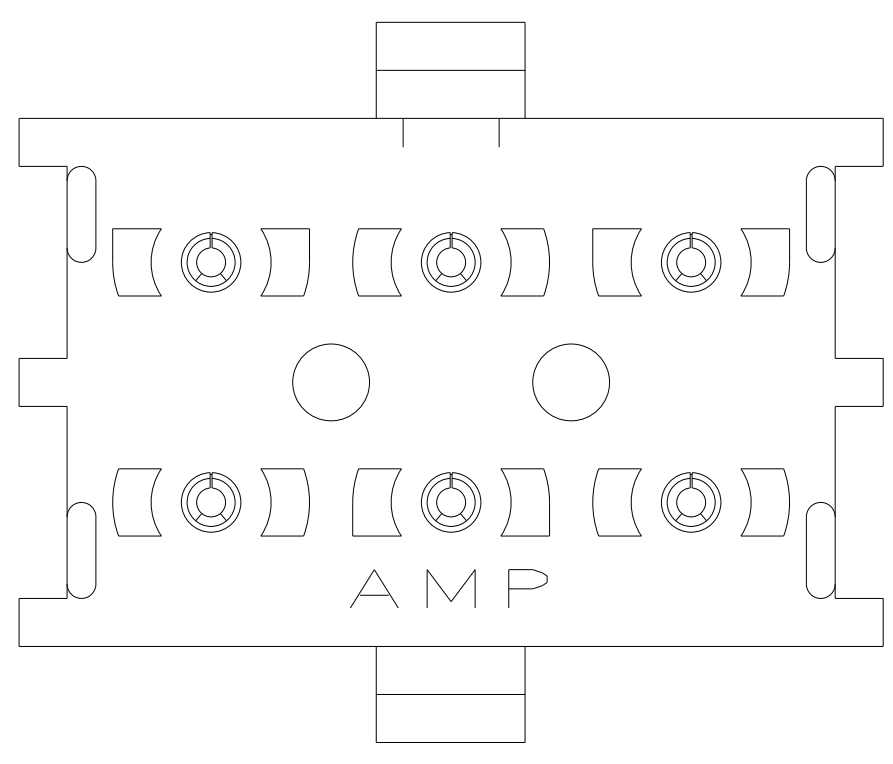
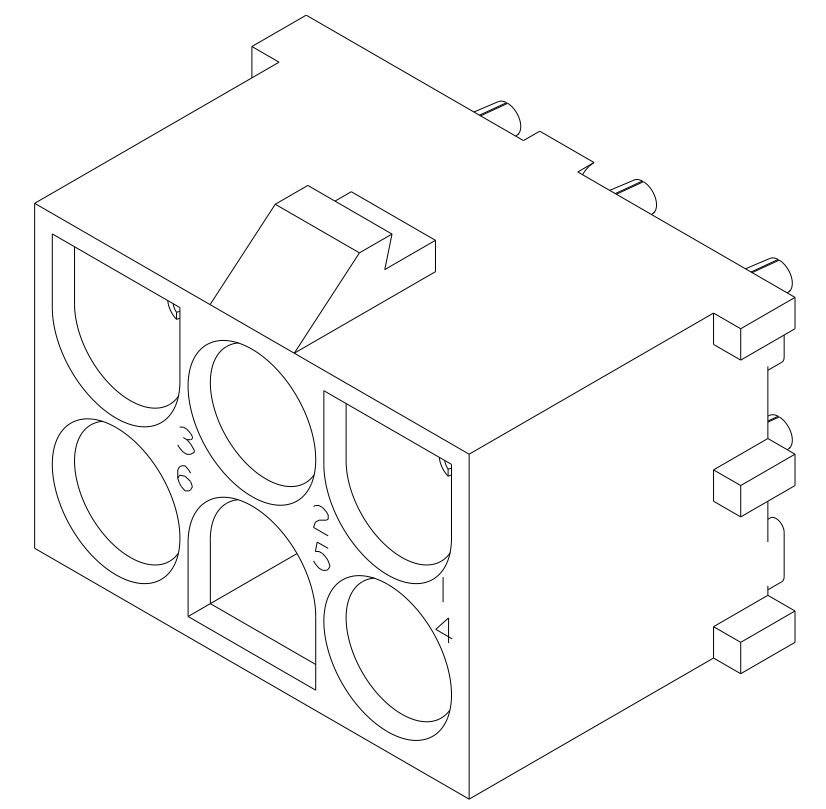
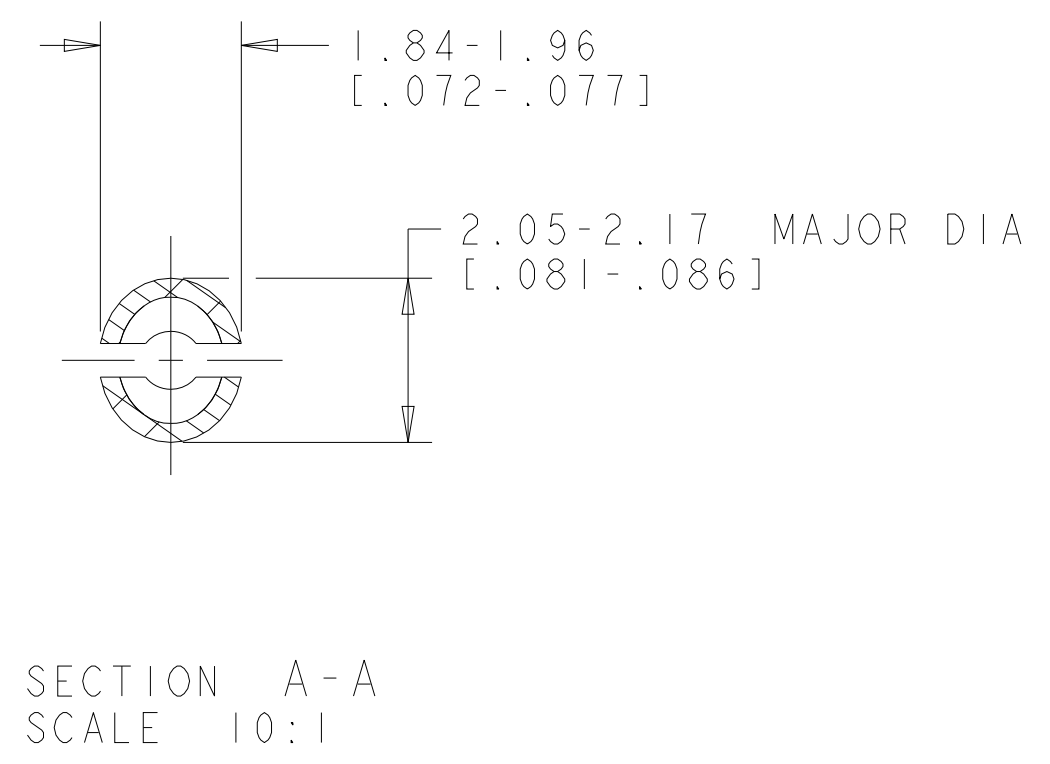
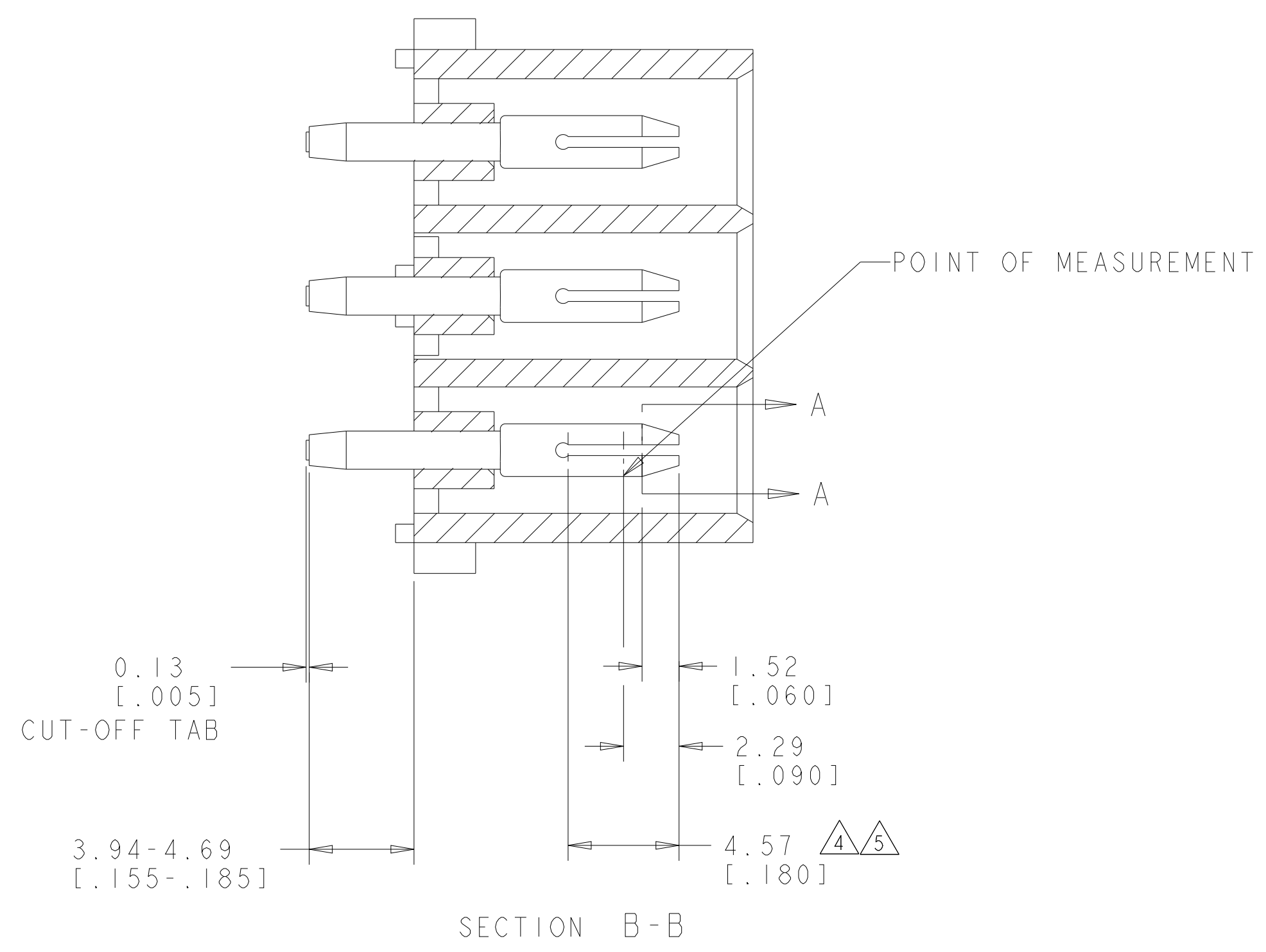


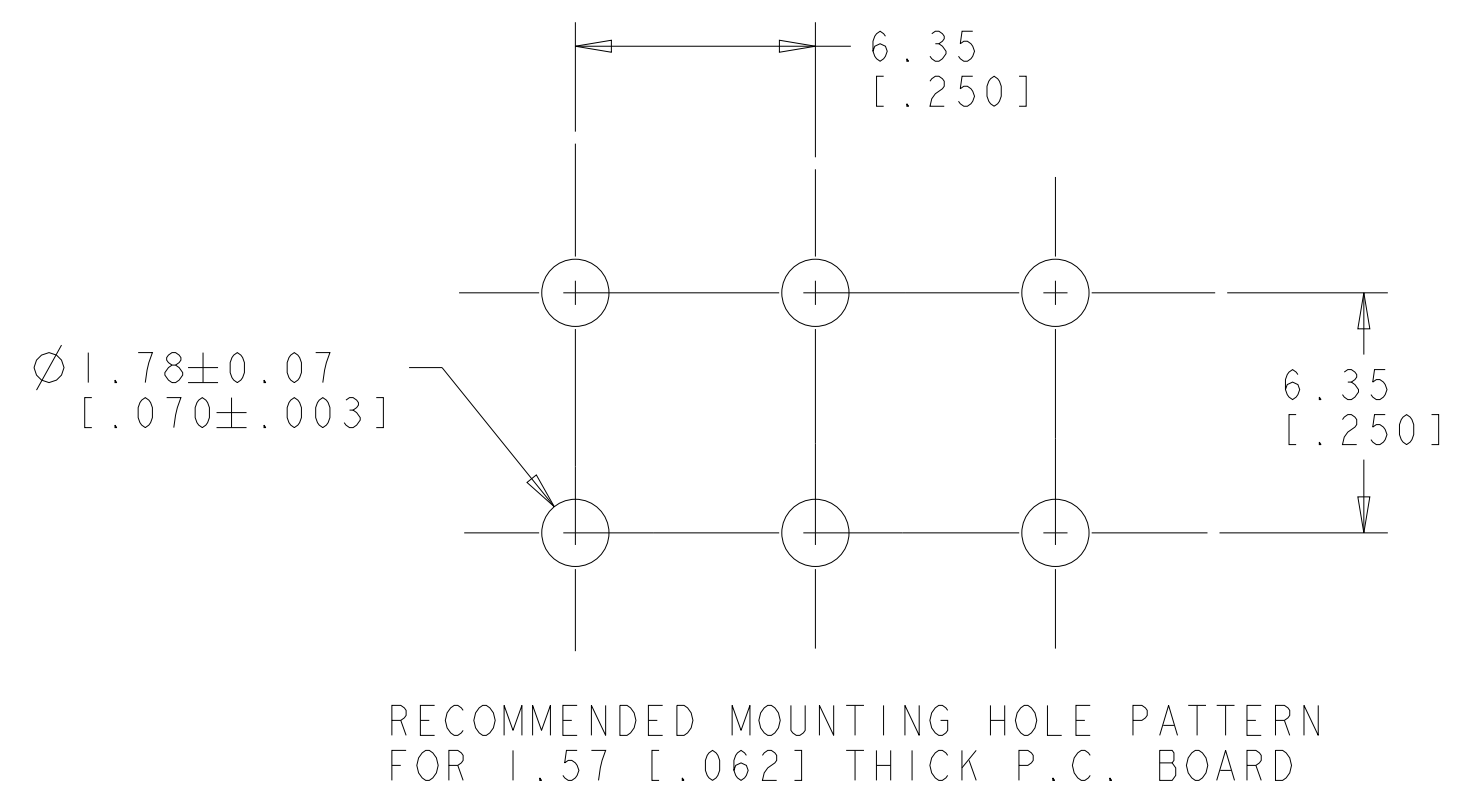
LOC		DIST		REVISIONS			
P	LTN	DESCRIPTION	DATE	DWN	APVD		
Y2		REVISED PER ECR-12-011660	24JAN2013	KH	TM		
Y3		REVISED PER ECR-21-119230	08NOV2021	SS	VS		



1. PARTS MATE WITH HOUSING 480704.
2. PARTS COMPLY TO AMP SOLDERABILITY SPECIFICATION 109-11-3.
3. CIRCUIT IDENTIFICATION CHARACTERS ARE ADJACENT TO THE INDICATED CAVITIES, BUT LOCATION AND ORIENTATION MAY DIFFER FROM PRINT.
4. CONTACT IS PLATED OVERALL WITH 0.00127 [.000050] NICKEL, THEN 0.00076 [.000030] GOLD OVER CONTACT LENGTH INDICATED AND TIN LEAD ON SOLDER TAIL END.
5. CONTACT IS PLATED OVERALL WITH 0.00127 [.000050] NICKEL, THEN 0.00076 [.000030] GOLD OVER CONTACT LENGTH INDICATED AND MATTE TIN ON SOLDER TAIL END.
6. DIMENSIONS IN BRACKETS ARE IN INCHES.
7. SUPERSEDED BY 350431-4
8. DIMENSIONS SHOWN REPRESENT PRODUCT IN DRY CONDITION. ADDITIONAL 2% GROWTH DUE TO END USE LOCATION MOISTURE ABSORPTION MAY OCCUR AND SHOULD BE ACCOUNTED FOR.

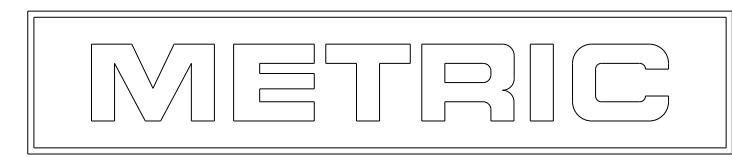


3 DIMENSIONAL MODEL SCALE 4:1



PHOSPOR BRONZE, GOLD 5	NYLON, UL94V-2, NATURAL	350431-4
PHOSPOR BRONZE, GOLD 3	NYLON, UL94V-2, NATURAL	350431-2
PHOSPOR BRONZE, PRE-TIN	NYLON, UL94V-2, NATURAL	350431-1
PIN CONTACT MATERIAL AND FINISH	HOUSING MATERIAL AND COLOR	PART NUMBER

DIMENSIONS:		TOLERANCES UNLESS OTHERWISE SPECIFIED:		APVD		NAME	
mm [INCHES]							
0 PLC	±	0 PLC	±	K. WHITAKER	18JULY2005	STE TE Connectivity	
1 PLC	±	1 PLC	±	S. RIDGILL	18JULY2005	PIN HEADER ASSEMBLY, 6 CIRCUIT, UNIVERSAL MATE-N-LOK TM	
2 PLC	±	2 PLC	±	S. RIDGILL	18JULY2005	SIZE CAGE CODE DRAWING NO RESTRICTED TO	
3 PLC	±	3 PLC	±			A100779C=350431	
4 PLC	±	4 PLC	±			WEIGHT	
ANGLES	±	ANGLES	±			CUSTOMER DRAWING	
FINISH	±	FINISH	±			SCALE 5:1 SHEET 1 OF 1 REV Y3	



Mouser Electronics

Authorized Distributor

Click to View Pricing, Inventory, Delivery & Lifecycle Information:

[TE Connectivity:](#)

[350431-1](#)