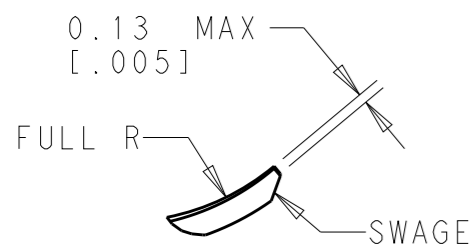


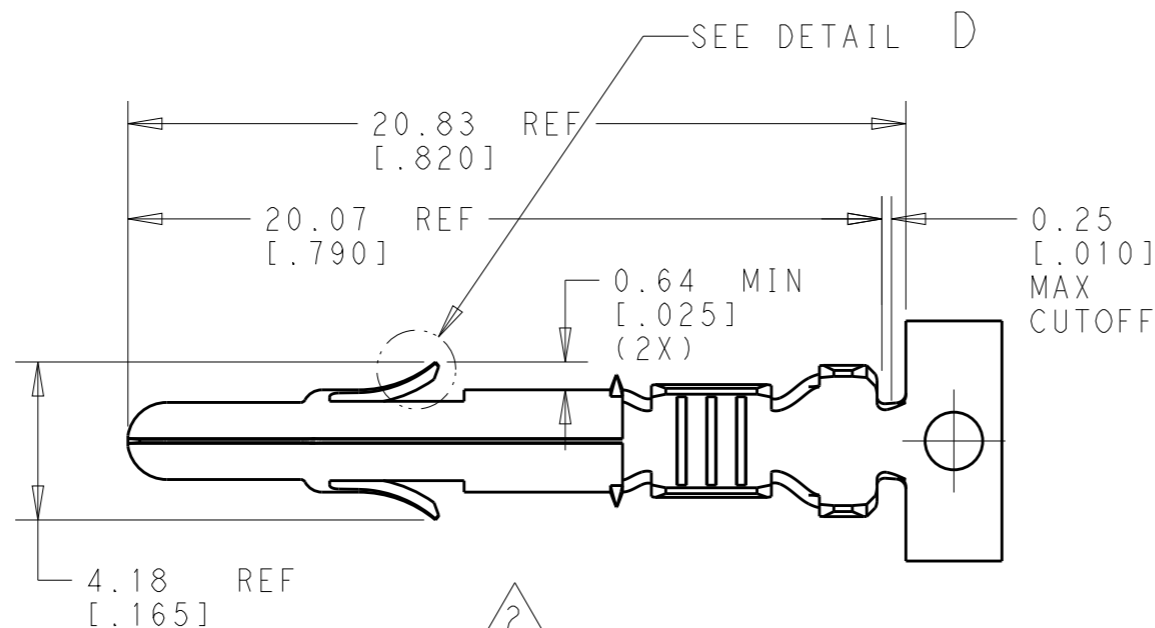
THIS DRAWING IS UNPUBLISHED. RELEASED FOR PUBLICATION 2019  
COPYRIGHT 2019 BY - ALL RIGHTS RESERVED.

REVISIONS

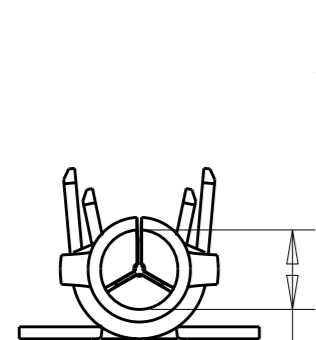
| P   | LTR | DESCRIPTION               | DATE      | DWN | APVD |
|-----|-----|---------------------------|-----------|-----|------|
| AA  |     | REVISED PER ECO-19-006991 | 15MAY2019 | BKW | SF   |
| AA1 |     | REVISED PER ECO-19-009144 | 17JUN2019 | BKW | SF   |
| AA2 |     | REVISED PER ECO-19-011413 | 24JUL2019 | BKW | SF   |
| AA3 |     | REVISED PER ECO-19-012708 | 16AUG2019 | BKW | SF   |



DETAIL D  
SCALE 10:1

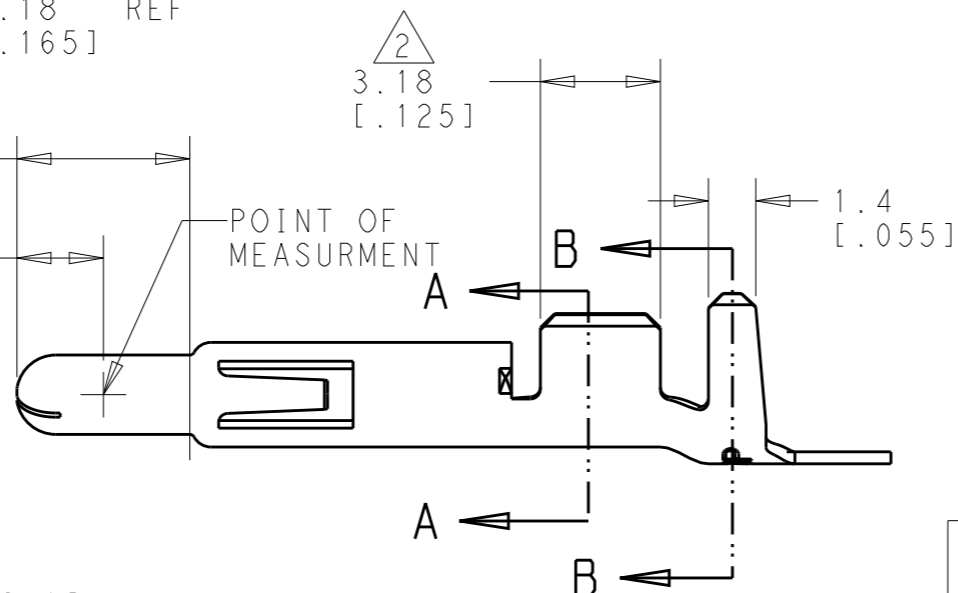


- 1 PLATED WITH 0.00076 [.000030] GOLD, OVER 0.00127 [.000050] NICKEL UNDERPLATE.
- 2 PLATED INTERNALLY WITH 0.00076 [.000050] GOLD.
- 3 INSULATION RANGE: 1.52-3.30 [.060-.130] DIAMETER



1 4.57 [.180]  
2.29 [.090]

Ø 2.08-2.13 [.0815-.0840]



2.67-3.30 [.105-.130]

3.69-4.31 [.145-.170]

SECTION A-A

SECTION B-B

| LOOSE PIECE (REF) | FINISH   | MATERIAL           | PART NUMBER |
|-------------------|----------|--------------------|-------------|
| 350547-7          | GOLD 1   | 0.30 [.012] BRASS  | 350218-7    |
| 350547-6          | GOLD 1   | 0.30 [.012] PH BRZ | 350218-6    |
| 350547-3          | PRE-TIN  | 0.30 [.012] PH BRZ | 350218-3    |
| 350547-2          | GOLD 1 2 | 0.30 [.012] BRASS  | 350218-2    |
| 350547-1          | PRE-TIN  | 0.30 [.012] BRASS  | 350218-1    |

THIS DRAWING IS A CONTROLLED DOCUMENT.

DWN B. WEAVER 19SEP2018  
 CHK S. FERNANDES 19SEP2018  
 APVD S. FERNANDES 19SEP2018



|                        |  |
|------------------------|--|
| DIMENSIONS:<br>mm [IN] | TOLERANCES UNLESS OTHERWISE SPECIFIED: |
|                        | 0 PLC ±-                               |
|                        | 1 PLC ±-                               |
|                        | 2 PLC ±-                               |
|                        | 3 PLC ±0.38 [.015]                     |
|                        | 4 PLC ±-                               |
|                        | ANGLES ±-                              |
| MATERIAL               | FINISH                                 |
| -                      | -                                      |

PRODUCT SPEC 108-1031  
 APPLICATION SPEC 114-1010  
 WEIGHT -  
 CUSTOMER DRAWING

|                                   |                    |                        |  |
|-----------------------------------|--------------------|------------------------|--|
| NAME<br>PIN, UNIVERSAL MATE-N-LOK |                    | RESTRICTED TO          |  |
| SIZE<br>A3                        | CAGE CODE<br>00779 | DRAWING NO<br>C-350218 |  |
| SCALE<br>5:1                      | SHEET<br>1 OF 1    | REV<br>AA3             |  |

INSULATION RANGE: 3  
 WIRE RANGE: 20-14 AWG

# Mouser Electronics

Authorized Distributor

Click to View Pricing, Inventory, Delivery & Lifecycle Information:

[TE Connectivity:](#)

[350218-3](#)