

1 | 2

3 |

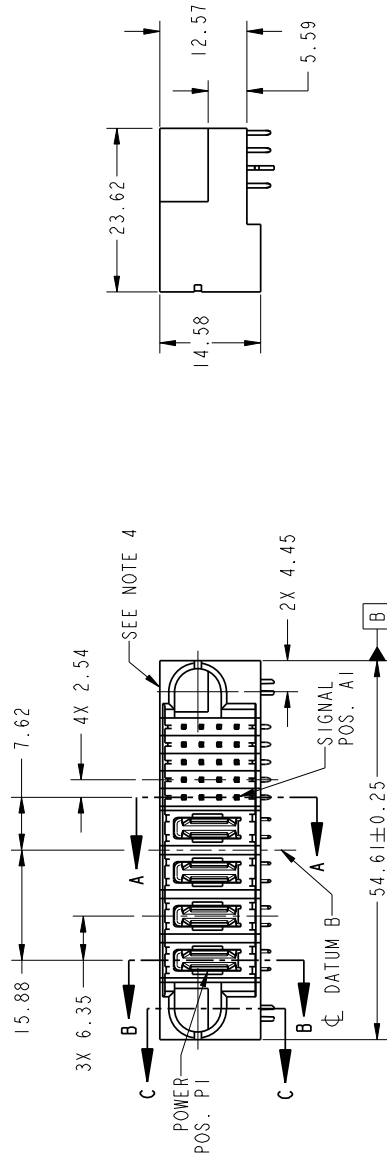
4

PRODUCT NO.	ROWS	POWER					SIGNAL					
		E1	P1	P2	P3	P4	1	2	3	4	5	E2
51732-045-- NOTE 3	D C B A											

Tous droits strictement reserves. Reproduction ou communication a des tiers interdite sous quelque forme que ce soit sans autorisation ecrite du proprietaire. Propriete de c FCI. Droits de reproduction FCI.



All rights strictly reserved. Reproduction or issue to third parties in any form whatever is not permitted without written authority from the proprietor. Property of FCI. Copyright FCI.



CODE	DIM "M" MATING LENGTH	CONTACT TYPE
U	[6.86]	SIGNAL
T	[6.86]	SIGNAL
S	[6.86]	SIGNAL
R	[6.86]	SIGNAL
PA	[N/A]	POWER
HA	[N/A]	HOLD-DOWN
E	[5.59]	SIGNAL

mat'l code		SEE NOTE 2		tolerances unless otherwise specified		CUSTOMER		FCI	
lir	ecm no.	dr	date	linear	angles	projection	COPY	title	www.fciconnect.com
A	DC08-0144	JC	06/30/08					RIGHT ANGLE SOLDER HEADER	
								4P + 20S	
								RIGHT ANGLE SOLDER HEADER	
								product family	PwrBlade
								size	213
								dwg no	51732-045
								scale	1:1
								sheet	1 of 4
								sheet	1 of 4

1 | 2

3 |

4

Pro/E

cage code 22526

PDM: Rev:A

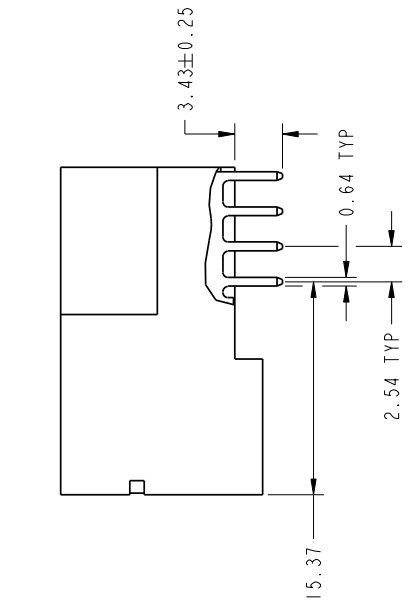
STATUS: Released

Printed: Dec 20, 2010

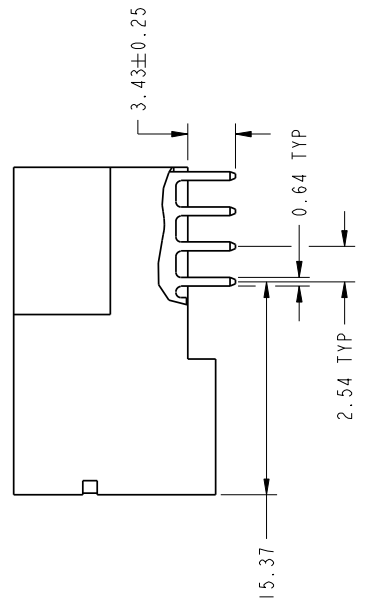
PRODUCT NUMBER

51732-045
NOTE 3

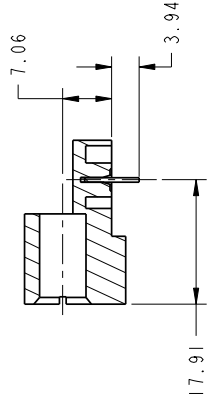
Tous droits strictement reserves. Reproduction ou communication o des tiers interdite sous quelque forme que ce soit sans autorisation ecrite du proprietaire. FCI. Copyright FCI.
All rights strictly reserved. Reproduction or issue to third parties in any form whatever is not permitted without written authority from the proprietor. FCI. Copyright FCI.



BROKEN-OUT SECTION A-A
SCALE 2:1



BROKEN-OUT SECTION B-B
SCALE 2:1



SECTION C-C

mat'l code		SEE NOTE 2		tolerances unless otherwise specified		CUSTOMER		FCI	
lir	ecm no.	dr	date	linear	angles	projection	copy	title	www.fciconnect.com
A				0.XX ±0.25	0.XXX ±0.10	0° ±2°	M/M	4P + 20S RIGHT ANGLE SOLDER HEADER	
				Jerome Chen 06/04/08	Jerome Chen 06/04/08			product family PwrBlade	
				eng	chr	appd		size 213	
								dwg no 51732-045	
								scale 1:1	
sheet index	revision	sheet						code 2 of 4	
								code code 22526	

Pro/E 3 4

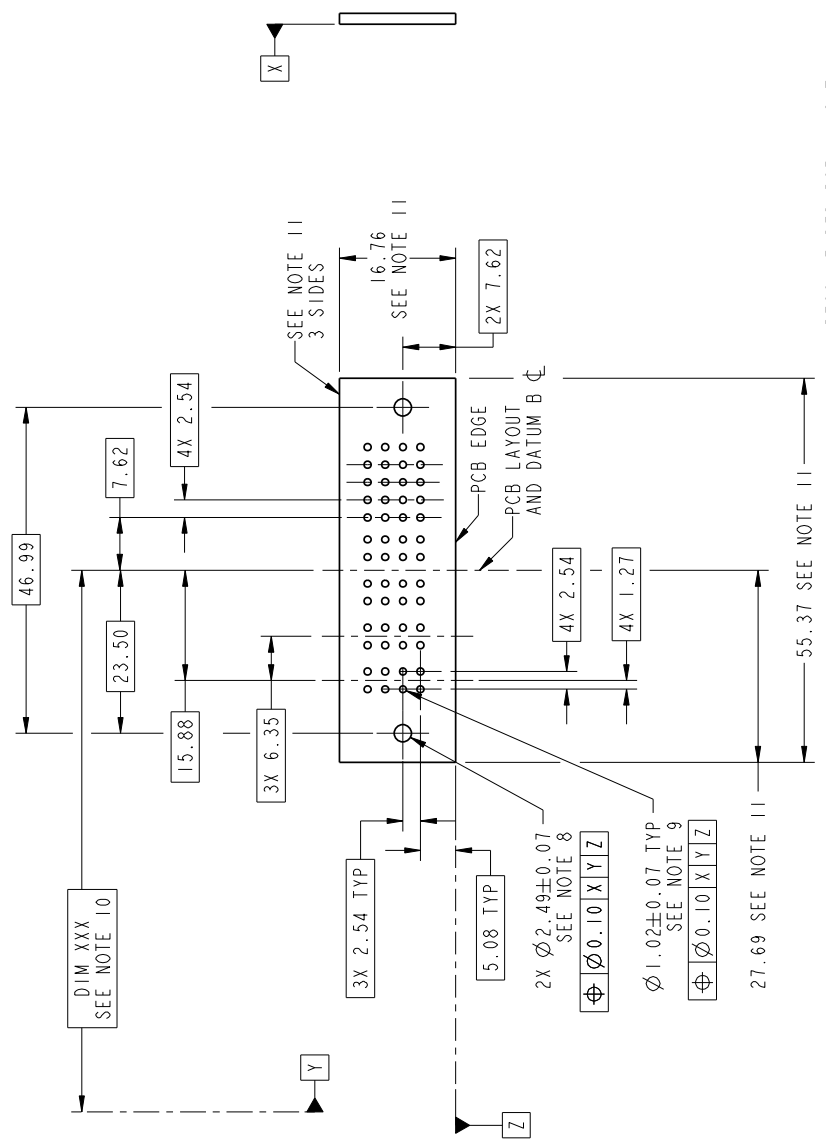
PRODUCT NUMBER
51732-045--
NOTE(3)

1 | 2 | 3 | 4

Tous droits strictement réservés. Reproduction ou communication o des tiers interdite sous quelque forme que ce soit sans autorisation écrite du propriétaire. Propriete de c FCI. Droits de reproduction FCI.



All rights strictly reserved. Reproduction or issue to third parties in any form whatever is not permitted without written authority from the proprietor. Property of FCI. Copyright FCI.



RECOMMENDED PCB LAYOUT

mat'l code		SEE NOTE 2		tolerances unless otherwise specified		CUSTOMER		FCI	
lir	ecn no.	dr	date	linear	angles	projection	title	product family	www.fciconnect.com
A				0.X ±0.5	0.XX ±0.25	4P + 20S	RIGHT ANGLE SOLDER HEADER	PwrBlade	www.fciconnect.com
				0.XXX ±0.10	0° ±2°	MM		213	
				Jerome Chen 06/04/08	Jerome Chen 06/04/08	scale		213	
				Gary Hsieh 06/04/08	Gary Hsieh 06/04/08	1:1		3 of 4	
				Joseph Hsiao 06/04/08	Joseph Hsiao 06/04/08			3 of 4	
sheet index	revision	sheet							

1 | 2 | 3 | 4

Pro/E

code code 22526

1 | 2

3 |

4

PRODUCT NUMBER

51732-045
NOTE (3)

NOTES:

1. DIMENSIONS AND TOLERANCES ARE IN ACCORDANCE WITH ASME Y14.5M, 1994 UNLESS OTHERWISE SPECIFIED.

CONNECTOR NOTES:

(2) HOUSING MATERIAL: UL 94 V-0 GLASS FILLED HIGH-TEMP THERMOPLASTIC
POWER CONTACT MATERIAL: COPPER ALLOY
SIGNAL PIN MATERIAL: COPPER ALLOY

3. PLATING:
51732-045, 51732-045LF PLATING SPEC. WAS SHOWN IN THE PRINT OF 10064183.

(4) MANUFACTURER'S NAME, P/N, AND DATE CODE TO APPEAR ON THIS SURFACE.

5. PRODUCT SPECIFICATION GS-12-149.
APPLICATION SPECIFICATION BUS-20-067.

6. PACKAGED IN TRAYS.

PCB NOTES:

7. ALL HOLE DIAMETERS ARE FINISHED HOLE SIZE.

(8) MOUNTING HOLES, WHERE APPLICABLE, ARE UNPLATED.

(9) $\varnothing 1.151 \pm 0.025$ DRILLED HOLES PLATED WITH 0.008 MIN SnPb OVER 0.03 TO 0.08 Cu PLATING TO ACHIEVE $\varnothing 1.02 \pm 0.07$ HOLE.

(10) "DIM XXX" TO BE DETERMINED BY THE CUSTOMER.

(11) CONNECTOR KEEP-OUT ZONE.

Tous droits strictement reserves. Reproduction ou communication o des tiers interdite sous quelque forme que ce soit sans autorisation ecrite du proprietaire. Propriete de c FCI. Droits de reproduction FCI.



All rights strictly reserved. Reproduction or issue to third parties in any form whatever is not permitted without written authority from the proprietor. Property of FCI. Copyright FCI.

A

B

mat'l code		SEE NOTE 2		tolerances unless otherwise specified		CUSTOMER		FCI	
lir	ecn no.	dr	date	linear	angles	dr	eng	chr	appd
A				0.XX ±0.25	0° ±2°	projection	Jerome Chen 06/04/08	Gary Hsieh 06/04/08	Joseph Hsiao 06/04/08
				0.XXX ±0.10		MM	Jerome Chen 06/04/08	Gary Hsieh 06/04/08	Joseph Hsiao 06/04/08
						scale	Jerome Chen 06/04/08	Gary Hsieh 06/04/08	Joseph Hsiao 06/04/08
sheet	revision								
index	sheet								

www.fciconnect.com	4P + 20S	RIGHT ANGLE SOLDER HEADER
product family	PwrBlade	code
size	213	sheet
dwg no	51732-045	4 of 4

1 | 2

3 |

4

Pro/E

code code 22526

PDM: Rev:A

STATUS: Released

Printed: Dec 20, 2010