

# Foot mountings



AVENTICS™ Foot mountings



# Foot mounting MS1, Series CM1

- to mount on cylinder PRA, TRB, CCL-IS/-IC, CCI, KPZ, 167, CVI, ITS

- Cylinder mounting in accordance with ISO 15552

- Suitable piston Ø 16 20 25 32 40 50 63 80 100 125 160 200 250 320 mm



Standards

See table below

## Technical data

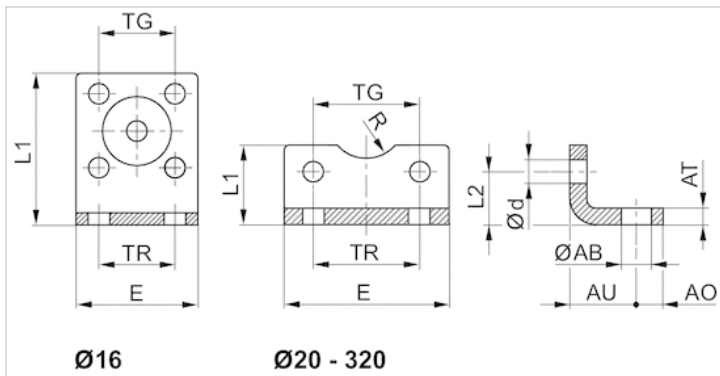
Part No.	Piston Ø	For series	Standardization
1821332053	16 mm	KPZ CCI CCL-IC	-
1827002284	20 mm	KPZ CCI CCL-IC	-
1827002285	25 mm	KPZ CCI CCL-IC	-
3682202000	25 mm	167	-
1827002286	32 mm	KPZ	-
1827001271	32 mm	PRA/TRB CCL-IC/-IS CCI CVI	ISO 15552
3662203000	32 mm	167	-
1827002287	40 mm	KPZ	-
1827001272	40 mm	PRA/TRB CCL-IC/-IS CCI CVI	ISO 15552
3662204000	40 mm	167	-
1827002288	50 mm	KPZ	-
1827001273	50 mm	PRA/TRB CCL-IC/-IS CCI CVI	ISO 15552
3662205000	50 mm	167	-
1827002289	63 mm	KPZ	-
1827001498	63 mm	PRA/TRB CCL-IC/-IS CCI CVI	ISO 15552
3662206000	63 mm	167	-
1827002290	80 mm	KPZ	-
1827001275	80 mm	PRA/TRB CCL-IC/-IS CCI CVI	ISO 15552
3662208000	80 mm	167	-
1827002291	100 mm	KPZ	-
1827001276	100 mm	CCI CCL-IC/-IS PRA/TRB CVI	ISO 15552
3662210000	100 mm	167	-
1827001310	125 mm	PRA/TRB CCL-IS CVI	ISO 15552
1827001457	160 mm	ITS	ISO 15552
1827001458	200 mm	ITS	ISO 15552
1827001459	250 mm	ITS	ISO 15552
5239010502	320 mm	ITS	ISO 15552

Scope of delivery: 2 foot mountings incl. mounting screws

## Technical information

Material	
Material	Steel
	galvanized
Screws	Steel
	galvanized

## Dimensions



## Dimensions

Part No.	Piston Ø	ØAB	AO	AT	AU ±0,2	Ød	E	L1	L2	R	TG	TR
1821332053	16 mm	5.5	5	3	13	4.5	29	35.5	13	8	18 ±0,2	18
1827002284	20 mm	6.6	6	4	16	5.4	36	22	16	10	22 ±0,2	22
1827002285	25 mm	6.6	6	4	16	5.4	40	23	17	11	26 ±0,2	26
3682202000	25 mm	7	8	4	22	5.5	40	21	11.5	13.5	27	26
1827002286	32 mm	6.6	8	5	18	6.6	50	24	16	-	32	32
1827001271	32 mm	7	8	4 ±0,3	24	6.6	48	25	15.5	15	32,5 ±0,2	32
3662203000	32 mm	7	8	5	24	5.5	47	26	16	15	32	32
1827002287	40 mm	9	8	5	20	6.6	60	29.5	21.5	-	42	42
1827001272	40 mm	10	10	4 ±0,3	28	6.6	56	26	17	17.5	38 ±0,2	36
3662204000	40 mm	9	11	5	31	6.6	56	28	16	20	40	36
1827002288	50 mm	9	8	6	24	9	68	30	22	-	50	50
1827001273	50 mm	10	11	5 ±0,3	32	9	68	32	21.5	20	46,5 ±0,2	45
3662205000	50 mm	9	12	6	33	6.6	63	35	22	23	46	45
1827002289	63 mm	11	12	6	27	9	84	39	28.5	-	62	62
1827001498	63 mm	10	13	5 ±0,3	32	9	78	34	21.5	22.5	56,5 ±0,2	50
3662206000	63 mm	9	12	6	36	9	81	40	20.5	23	59	50
1827002290	80 mm	11	12	8	30	11	102	36.5	24.5	-	82	82
1827001275	80 mm	12	16	6 ±0,5	41	11	98	47	27	22.5	72 ±0,2	63
3662208000	80 mm	12	15	8	43	9	95	45	26.5	26	73	63
1827002291	100 mm	13.5	12	8	33	11	123	38.5	26.5	-	103	103

Part No.	Piston Ø	ØAB	AO	AT	AU ±0,2	Ød	E	L1	L2	R	TG	TR
1827001276	100 mm	14.5	19	6 ±0,5	41	11	117	52	26.5	27.5	89 ±0,2	75
3662210000	100 mm	14	17	10	43	11	115	50	26	32	90	75
1827001310	125 mm	16.5	20	8 ±1,0	45	13.5	144	69	35	30	110 ±0,3	90
1827001457	160 mm	18.5	23	10 ±1,0	60	17.5	185	100	45	32.5	140 ±0,3	115
1827001458	200 mm	24	26	12 ±1,0	70	17.5	220	120	47.5	37.5	175 ±0,3	135
1827001459	250 mm	28	33	20 ±1,0	75	22	280	135	55	45	220 ±0,3	165
5239010502	320 mm	35	45	23 ±1,0	85	26	350	200	65	55	270 ±0,3	200

# Foot mounting MS3, Series CM1

- Cylinder mounting in accordance with ISO 6432

- Suitable piston Ø 8, 10 12, 16 20, 25 32 mm



Standards

ISO 6432

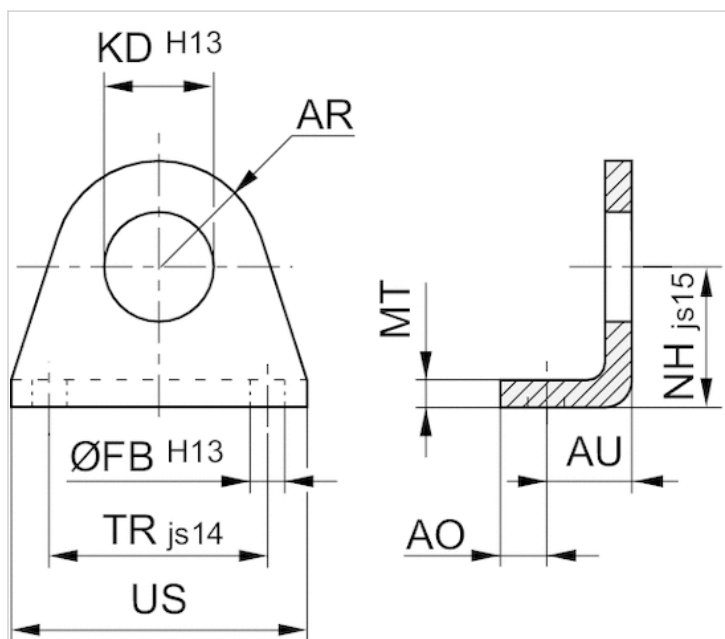
## Technical data

Part No.	Piston Ø	Housing material	Surface
3322210000	8, 10 mm	Stainless steel	-
3322216000	12, 16 mm	Stainless steel	-
3322220000	20, 25 mm	Stainless steel	-
3322232000	32 mm	Stainless steel	-
1821332029	8, 10 mm	Steel	galvanized
1821332028	12, 16 mm	Steel	galvanized
1821332027	20, 25 mm	Steel	galvanized

## Technical information

Material	
Material	Stainless steel Steel galvanized

## Dimensions



## Dimensions

Part No.	Piston Ø	AO	AR	AU	Ø FB H13	Ø KD H13	MT	NH ±0,3 js15	TR js14	US
3322210000	8, 10 mm	5	10	11	4.5	12	3	16	25	35
3322216000	12, 16 mm	6	12.5	14	5.5	16.1	4	20	32	42
3322220000	20, 25 mm	8	20	17.5	6.6	22.1	5	25	40	54
3322232000	32 mm	9	24	20	6.6	30.1	5	32	48	65
1821332029	8, 10 mm	5	10	11	4.5	12.1	3	16	25	35
1821332028	12, 16 mm	6	13	14	5.5	16.1	4	20	32	42
1821332027	20, 25 mm	8	20	17	6.6	22.1	5	25	40	54

# Foot mounting MS9, Series CM1

- long version

- Suitable piston Ø 32 40 50 63 80 100 mm



## Technical data

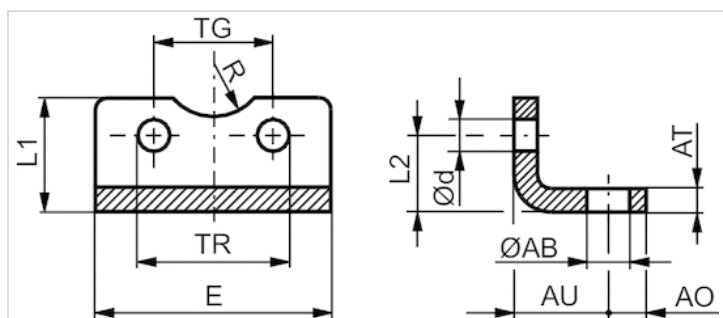
Part No.	Piston Ø
1827001018	32 mm
1827001019	40 mm
1827001020	50 mm
1827020085	63 mm
1827001022	80 mm
1827001023	100 mm

Scope of delivery: 2 foot mountings incl. mounting screws

## Technical information

Material	
Material	Steel
	galvanized
Screws	Steel
	galvanized

## Dimensions



## Dimensions

Part No.	Piston $\varnothing$	$\varnothing AB$ H13	AO	AT	AU	$\varnothing d$	E	L1	L2	R	TG $\pm 0,1$	TR JS14
1827001018	32 mm	7	12	5	18	6.6	79	30	15.8	15	32.5	65
1827001019	40 mm	10	12	5	18	6.6	90	30	17	17.5	38	75
1827001020	50 mm	10	14	5	21	9	110	35	21.7	20	46.5	90
1827020085	63 mm	10	14	5	21	9	120	35	21.7	25	56.5	100
1827001022	80 mm	12	13	5	27	11	153	50	27	22.5	72	128
1827001023	100 mm	14.5	13	5	27	11	178	50	26.5	27.5	89	148



# Foot mounting, Series MS9

- Suitable piston Ø 12 16 20 25 32 40 50 63 80 100 mm

- Cylinder mounting for cylinder in accordance with ISO 15524



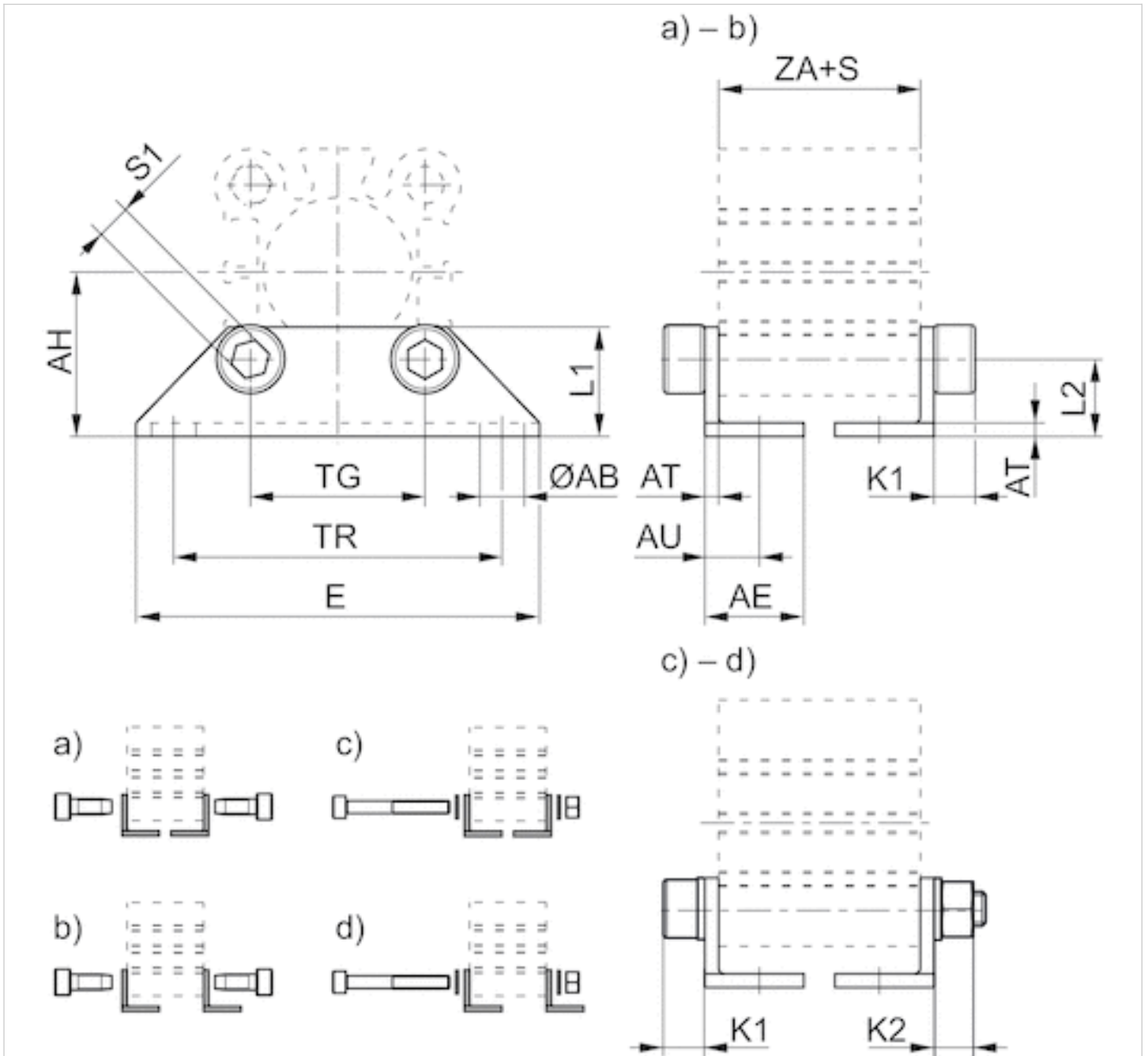
## Technical data

Part No.	Piston Ø	Housing material	Surface
R402006266	12 mm	Stainless steel	-
R402006267	16 mm	Stainless steel	-
R402006268	20 mm	Stainless steel	-
R402006269	25 mm	Stainless steel	-
R402006270	32 mm	Stainless steel	-
R402006271	40 mm	Stainless steel	-
R402006272	50 mm	Stainless steel	-
R402006273	63 mm	Stainless steel	-
R402006274	80 mm	Steel	galvanized
R402006275	100 mm	Steel	galvanized

## Technical information

Material	
Material	Stainless steel Steel
	galvanized

Dimensions



S = stroke

## Dimensions and cylinder-dependent installation options

Part No.	Piston Ø	Installation options	ZA+S, min.	Min. stroke (with magnetic piston)
R402006266	12 mm	b) a) b)	21 22 mm	2 2 mm
R402006267	16 mm	b) a) b)	21 22 mm	2 2 mm
R402006268	20 mm	d) c) d) a) b)	23,5 26,5 29,5 mm	2 2 2 mm
R402006269	25 mm	d) a) b)	26,5 29,5 mm	2 2 mm
R402006270	32 mm	d) c) d) a) b)	27 29 35 mm	2 2 2 mm
R402006271	40 mm	c) d) a) b)	33,5 35,5 mm	2 2 mm
R402006272	50 mm	d) c) d) a) b)	34,5 39,5 45,5 mm	2 2 5 mm
R402006273	63 mm	d) c) d) a) b)	40 43 53 mm	2 3 7 mm
R402006274	80 mm	d) c) d) a) b)	47,5 51,5 61,5 mm	2 2 8 mm
R402006275	100 mm	d) c) d) a) b)	57 58 61 mm	2 2 2 mm

Min. stroke (without magnetic piston)	Length of through mounting screw	K1
4 5 mm	-	4 4
4 4 mm	-	4 4
4 7 10 mm	45 mm 45 mm	6 6 6
4 7 mm	45 mm	6 6
4 6 12 mm	50 mm 50 mm	6 6 6
4 6 mm	50 mm	6 6
4 9 15 mm	60 mm 60 mm	7,6 7,6 8
4 7 17 mm	80 mm 80 mm	9,6 9,6 10
4 8 18 mm	90 mm 90 mm	12 12 12
4 5 8 mm	90 mm 90 mm	12 12 12

K2	S1	Ø AB	AE	AH	AT	AU	E	L1	L2	TG	TR
-	3 3	4.5	12.5	17	2	8	44	13	9.3	15.5	34
-	3 3	4.5	12.5	19	2	8	47	13	9	20	38
5,7 5,7 -	4 4 5	6.5	14.5	24	2	8	59	16	11.3	25.5	48
5,7 -	4 5	6.5	16	26	2	9.5	63	17	12	28	52

K2	S1	Ø AB	AE	AH	AT	AU	E	L1	L2	TG	TR
5,7	4	6.5	16.8	30	3	11	69	18.5	13	34	57
5,7	4										
-	5										
5,7	4	6.5	17	33	3	11	75	20	13	40	64
-	5										
6,8	5	9	22	39	3	14.5	93.5	25	14	50	79
6,8	5										
-	6										
8,4	6	11	25	46	4	17	113	25	16	60	95
8,4	6										
-	8										
10,4	8	13	30	59	5	20	138	35	20.5	77	118
10,4	8										
-	10										
10,4	8	13	33.5	71	5	22	159	40	24	94	137
10,4	8										
-	10										

Scope of delivery: 2 foot mountings incl. mounting screws

ZA + S = cylinder length incl. stroke

S = stroke

# Foot mounting MS1, Series CM1

- Version: ISO-type
- Suitable piston Ø 32 40 50 63 mm
- for series RPC



## Technical data

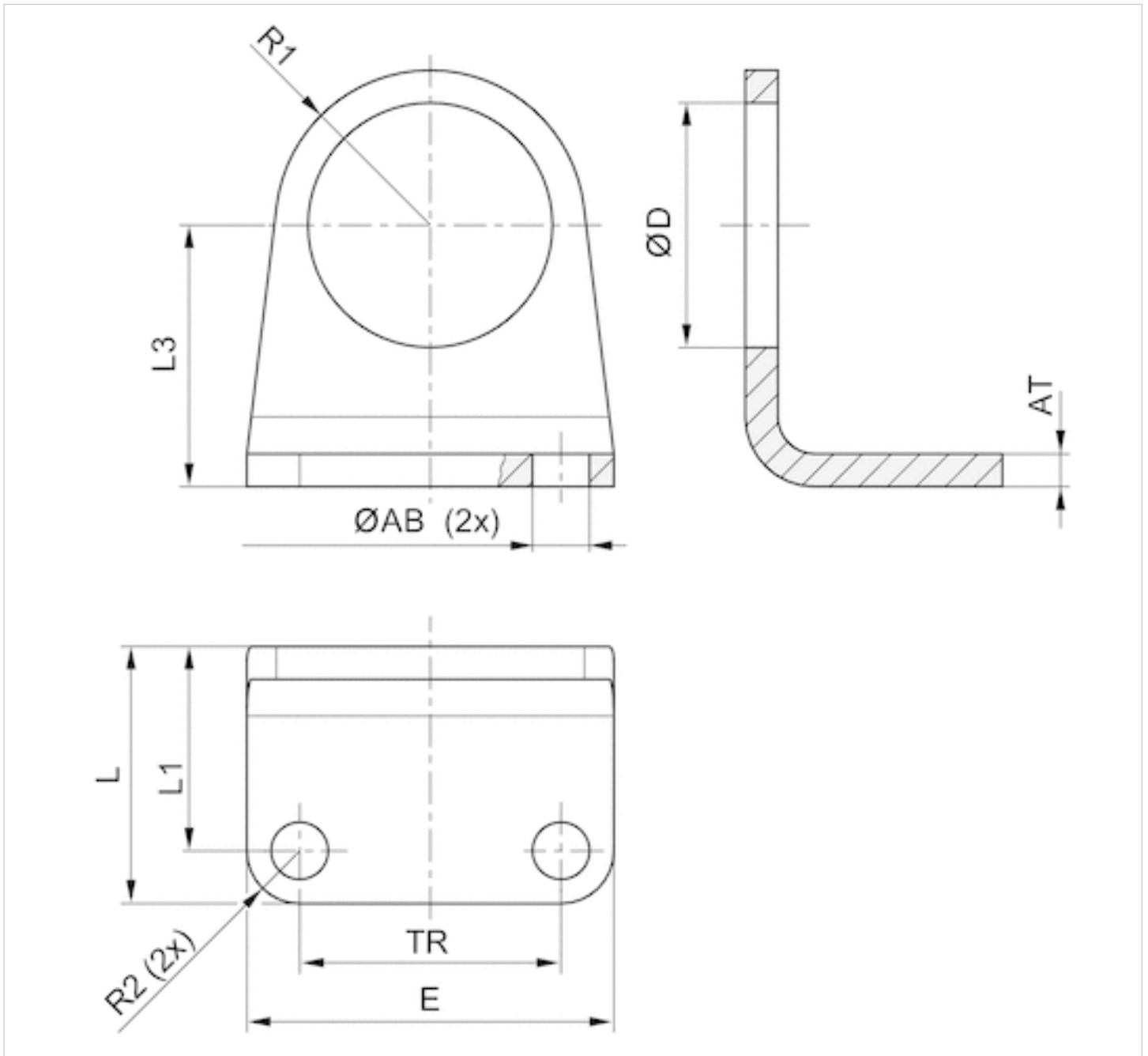
Part No.	Piston Ø
R412027801	32 mm
R412027802	40 mm
R412027803	50 mm
R412027804	63 mm

## Technical information

Material	
Material	galvanized steel

Dimensions

Dimensions



Dimensions

Part No.	Ø AB H13	AT	E	TR	Ø D	L	L1	L2	R1	R2
R412027801	7	4	45	32	30	31.5	25	32	19	6.5
R412027802	9	4	52	36	38	38	24/30 *	36	24	8
R412027803	9	5	65	45	45	40	30	45	28	10
R412027804	9	5	70	50	45	40	30	50	35	10

\*contains elongated hole

# Foot mounting MS1, Series CM1

- Suitable piston Ø 32 40 50 63 mm

- for series RPC



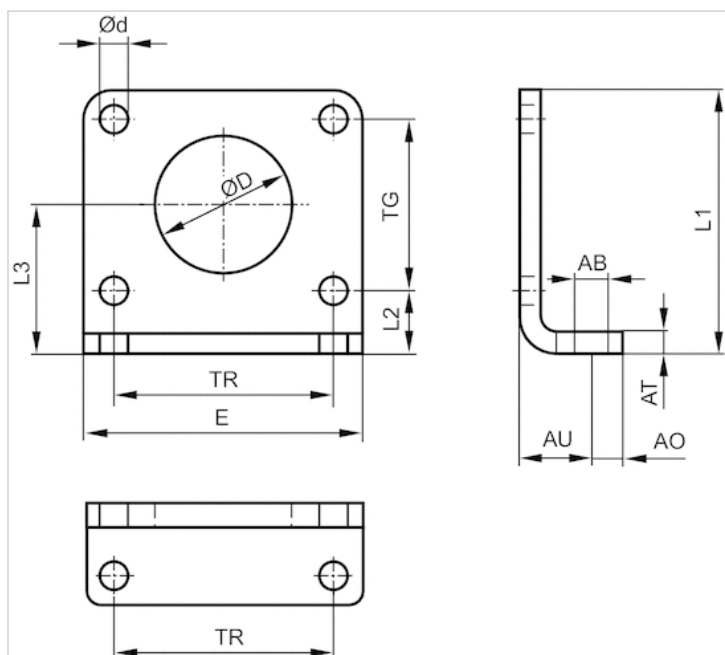
## Technical data

Part No.	Piston Ø
5217000504	32 mm
5217010504	40 mm
5217020504	50 mm
5217030504	63 mm

## Technical information

Material	
Material	Steel
	galvanized

## Dimensions



## Dimensions

Part No.	Ø AB	AO	AT	AU ±0,2	Ø d	E	L1	L2	L3	Ø D	TG ±0,2	TR
5217000504	9	10	5	20	7	72	56	18	32	30	28	52
5217010504	9	10	5	20	9	80	58	18	33	38	30	60
5217020504	11	10	6	25	9	90	75	25	45	45	40	70
5217030504	11	10	6	25	9	96	85	25	50	45	50	76



# Foot mounting, Series MS1

- narrow version

- Cylinder mounting in accordance with CNOMO / NFE 49-001

- Suitable piston Ø 25, 32, 40, 50, 63, 80, 100, 125, 160, 200 mm



Standards

CNOMO / NFE 49-001

## Technical data

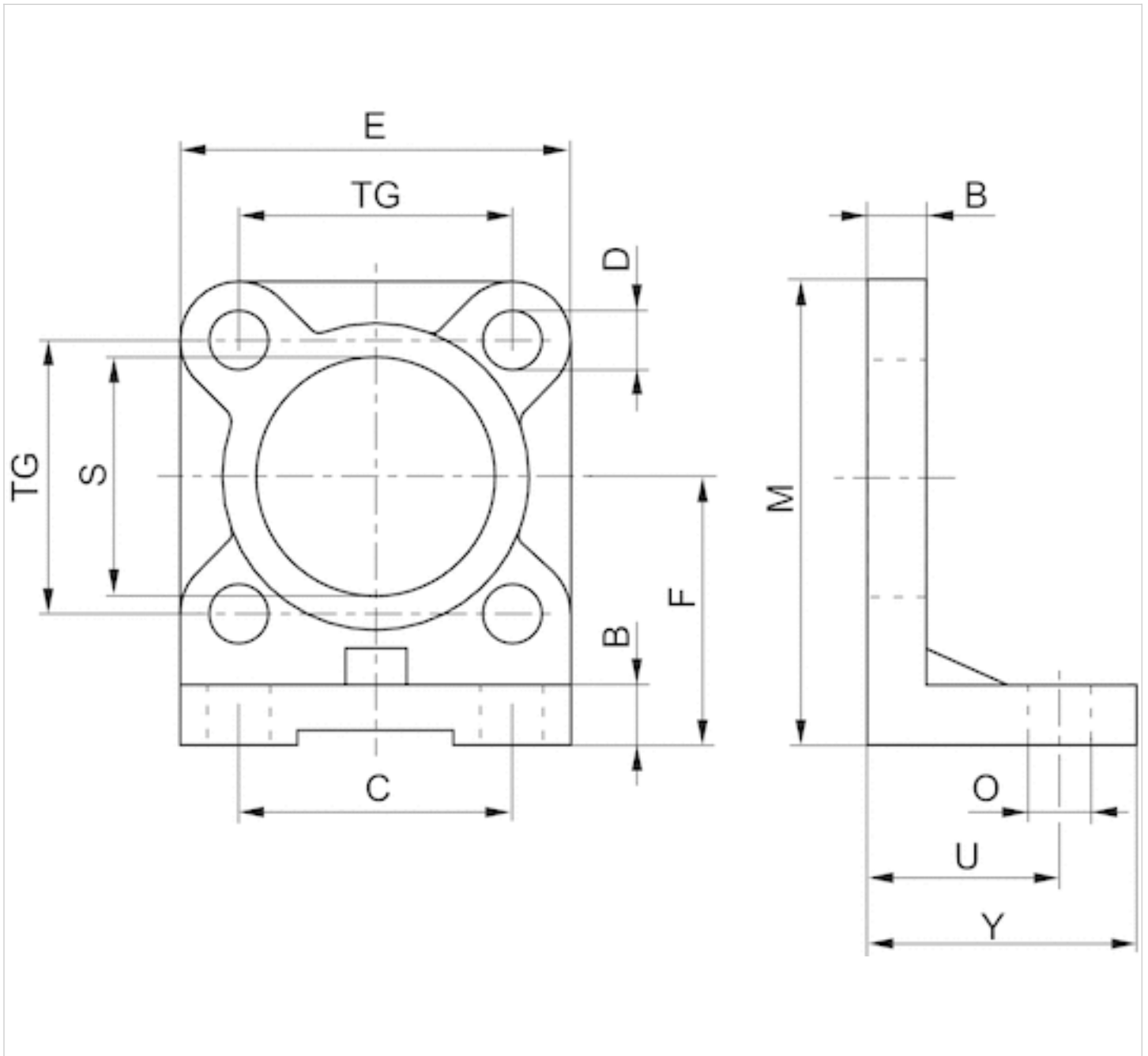
Part No.	Piston Ø
1827005878	25 mm
1827005879	32 mm
1827005880	40 mm
1827005881	50 mm
1827005882	63 mm
1827005883	80 mm
1827005884	100 mm
1827005885	125 mm
7472ZZ1418	160 mm
7472ZZ1419	200 mm

Scope of delivery: 2 foot mountings incl. mounting nuts

## Technical information

Material	
Material	Aluminum
	Cathodic dip-painted

## Dimensions



## Dimensions

Part No.	Piston Ø	B	C	D	E	F	M	O	S	TG	U	Y
1827005878	25 mm	8	24	7	40	30	50	9	25	28	27	35
1827005879	32 mm	8	28	7	45	32	54	9	25	33	27	35
1827005880	40 mm	8	36	7	52	36	62	9	32	40	27	35
1827005881	50 mm	10	45	9	65	45	77	11	32	49	35	45
1827005882	63 mm	10	55	9	75	50	87	11	45	59	35	45
1827005883	80 mm	12	70	11	95	63	110	14	45	75	43	55
1827005884	100 mm	12	90	11	115	73	130	14	55	90	43	55

Part No.	Piston Ø	B	C	D	E	F	M	O	S	TG	U	Y
1827005885	125 mm	16	100	14	140	91	161	18	55	110	52	68
7472ZZ1418	160 mm	20	130	18	180	115	205	22	65	140	62	82
7472ZZ1419	200 mm	20	170	18	220	135	245	22	65	175	62	92

# Foot mounting, Series MS1

- wide version

- Cylinder mounting in accordance with CNOMO / NFE 49-001

- Suitable piston Ø 25 32 40 50 63 80 100 125 160 200 mm



Standards

CNOMO / NFE 49-001

## Technical data

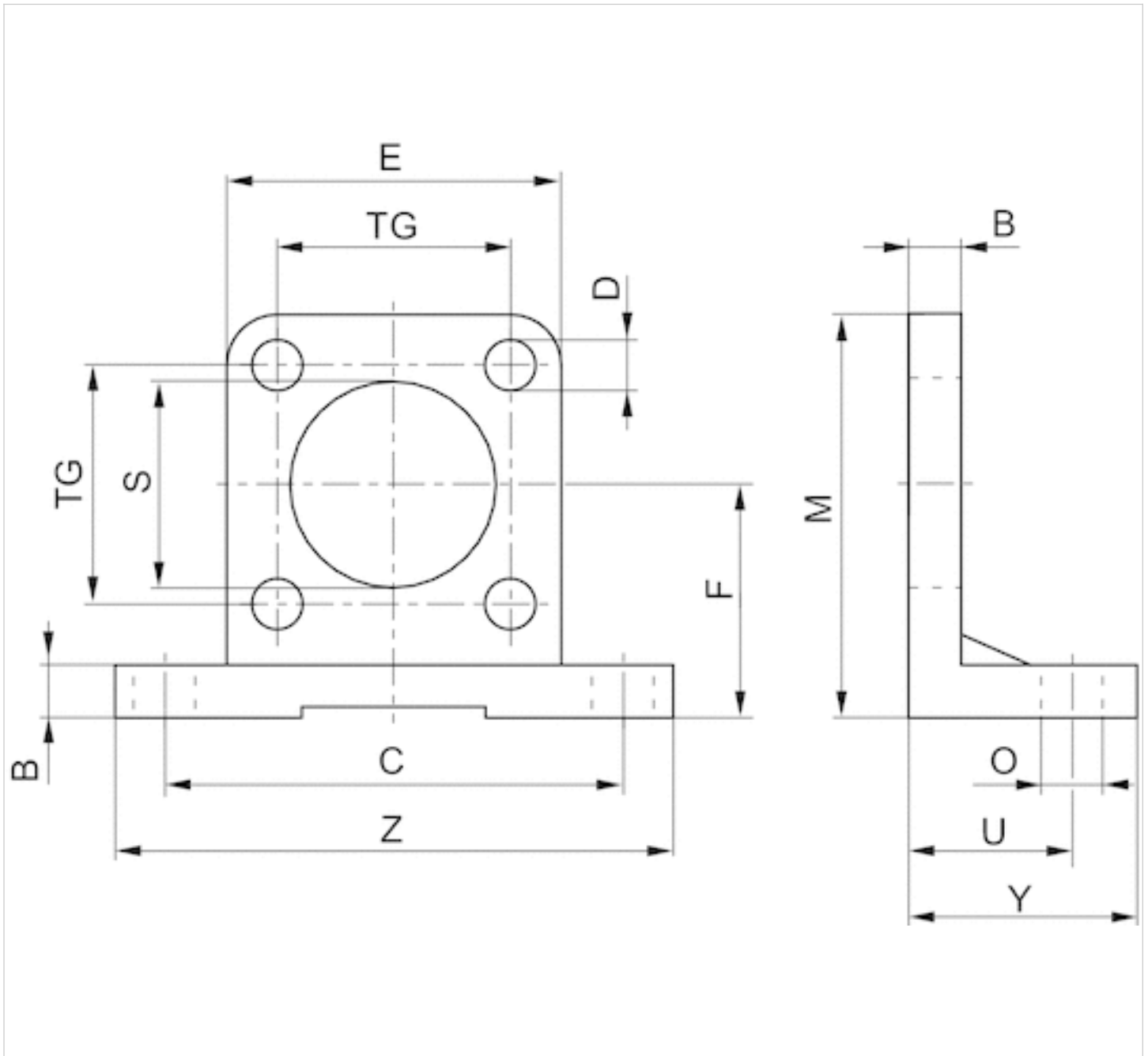
Part No.	Piston Ø
1827005870	25 mm
1827005871	32 mm
1827005872	40 mm
1827005873	50 mm
1827005874	63 mm
1827005875	80 mm
1827005876	100 mm
1827005877	125 mm
7472ZZ1483	160 mm
7472ZZ1484	200 mm

Scope of delivery: 2 foot mountings incl. mounting nuts

## Technical information

Material	
Material	Aluminum
	Cathodic dip-painted

## Dimensions



## Dimensions

Part No.	Piston Ø	B	C	D	E	F	M	O	S	TG	U	Y	Z
1827005870	25 mm	8	58	7	40	30	50	9	25	28	18	35	75
1827005871	32 mm	8	65	7	45	32	54	9	25	33	18	35	82
1827005872	40 mm	8	72	7	52	36	62	9	32	40	18	35	90
1827005873	50 mm	10	90	9	65	45	77	11	32	49	22	45	110
1827005874	63 mm	10	100	9	75	50	87	11	45	59	22	45	120
1827005875	80 mm	12	126	11	95	63	110	14	45	75	28	55	154
1827005876	100 mm	12	148	11	115	73	130	14	55	90	28	55	180

Part No.	Piston Ø	B	C	D	E	F	M	O	S	TG	U	Y	Z
1827005877	125 mm	16	180	14	140	91	161	18	55	110	32	67.5	215
7472ZZ1483	160 mm	20	230	18	180	115	205	22	65	140	40	80	275
7472ZZ1484	200 mm	20	270	18	220	135	245	22	65	175	40	80	318

# Efficient pneumatic solutions, our program: cylinders and drives, valves and valve systems, air supply management



Visit us: [Emerson.com/Aventics](https://www.emerson.com/Aventics)

Your local contact: [Emerson.com/contactus](https://www.emerson.com/contactus)



Emerson.com



[Facebook.com/EmersonAutomationSolutions](https://www.facebook.com/EmersonAutomationSolutions)



[LinkedIn.com/company/Emerson-Automation-Solutions](https://www.linkedin.com/company/Emerson-Automation-Solutions)



[Twitter.com/EMR\\_Automation](https://twitter.com/EMR_Automation)

An example configuration is depicted on the title page. The delivered product may thus vary from that in the illustration. Subject to change. This Document, as well as the data, specifications and other information set forth in it, are the exclusive property of AVENTICS GmbH. It may not be reproduced or given to third parties without its consent. Only use the AVENTICS products shown in industrial applications. Read the product documentation completely and carefully before using the product. Observe the applicable regulations and laws of the respective country. When integrating the product into applications, note the system manufacturer's specifications for safe use of the product. The data specified only serve to describe the product. No statements concerning a certain condition or suitability for a certain application can be derived from our information. The information given does not release the user from the obligation of own judgment and verification. It must be remembered that the products are subject to a natural process of wear and aging.

The Emerson logo is a trademark and service mark of Emerson Electric Co. Brand logotype are registered trademarks of one of the Emerson family of companies. All other marks are the property of their respective owners. © 2017 Emerson Electric Co. All rights reserved.  
2019-03



## CONSIDER IT SOLVED™