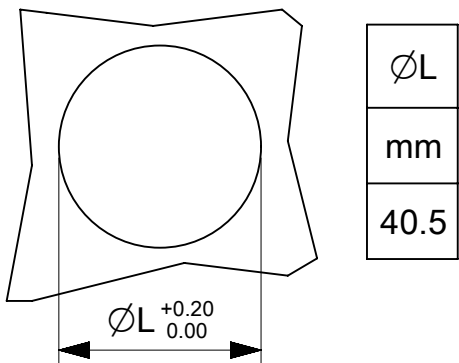


FORATURA PANNELLO
PANEL DRILLING



SYMBOLS	THIS DRAWING CONTAINS INFORMATION THAT IS PROPRIETARY TO MOLEX ELECTRONIC TECHNOLOGIES, LLC AND SHOULD NOT BE USED WITHOUT WRITTEN PERMISSION									
	DIMENSION UNITS		SCALE		CURRENT REV DESC:					
▽ = 0	mm		1:1		EC NO: 170943 DRWN: AKHEMIRI 2018/01/17 CHK'D: DMERONI 2018/01/17 APPR: AMELZI 2018/01/19					
∇ = 0	GENERAL TOLERANCES (UNLESS SPECIFIED)									
∇ = 0	ANGULAR TOL ± °				INITIAL REVISION: DRWN: AKHEMIRI 2018/01/10 APPR: AMELZI 2018/01/19					
∇ = 0	4 PLACES ±									
∇ = 0	3 PLACES ±				DOCUMENT NUMBER 936000030					
∇ = 0	2 PLACES ±									
∇ = 0	1 PLACE ±				PSD		000		A	
∇ = 0	0 PLACES ±				MATERIAL NUMBER		CUSTOMER		SHEET NUMBER	
∇ = 0	DRAFT WHERE APPLICABLE MUST REMAIN WITHIN DIMENSIONS		FIRST ANGLE PROJECTION		DRAWING		SERIES		93600	
∇ = 0					A4-SIZE		93600		936000030	
					GENERAL MARKET				1 OF 1	

DOCUMENT STATUS	P1	RELEASE DATE	2018/01/19	12:05:50
-----------------	----	--------------	------------	----------