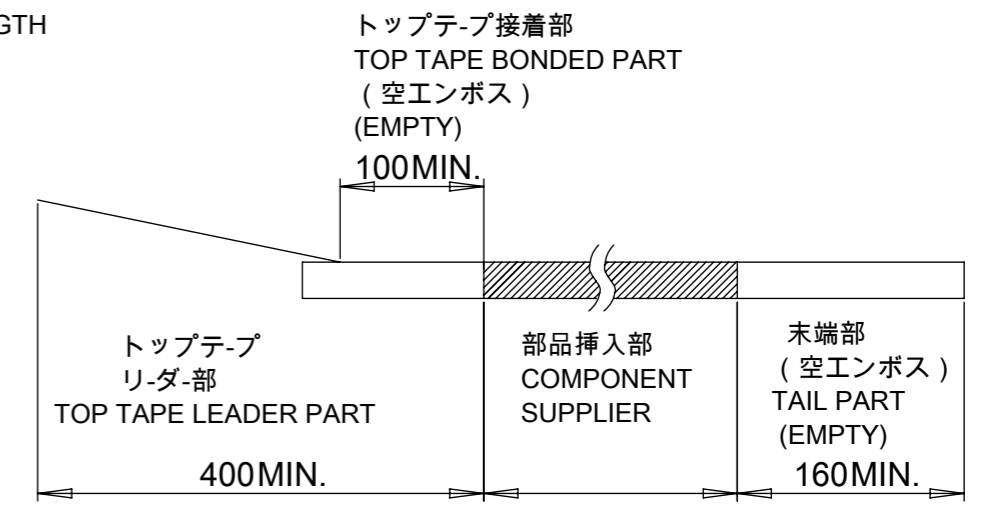


NOTES

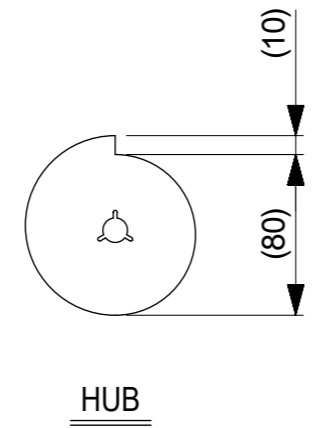
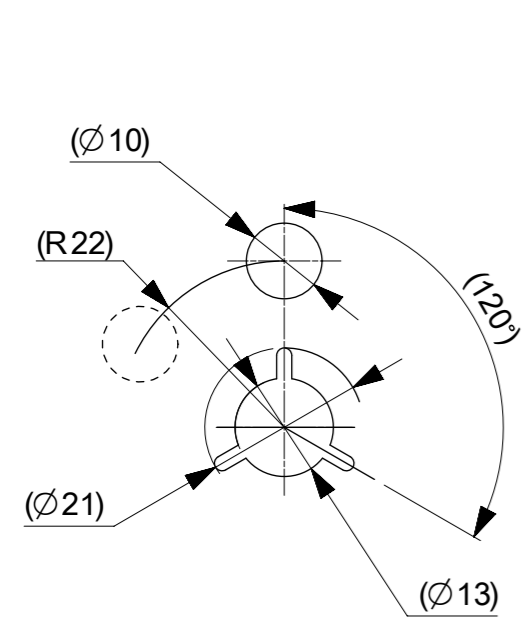
- 梱包数量 : 900 個 / リール
NUMBER OF CONNECTORS: 900 PCS/REEL
- リードテープ長さ
LEAD TAPE LENGTH

引き出し方向
PULL OUT DIRECTION



3. 製品詳細寸法については図面 SD-501864-008を参照下さい。
RE DETAILED DIMENSION, SEE SD-501864-008.

- 材料(MATERIAL)
キャリアテープ(CARRIER TAPE) : ポリスチレン(POLYSTYRENE)
トップテープ(TOP TAPE) : PET, PE, PE
リール(REEL) : ポリスチレン(POLYSTYRENE)
- カバーテープの剥離強度については、IEC60286-3に準拠
COVER TAPE PEEL FORCE IS DEFINED BY IEC60286-3.
- ELV及びRoHS適合品
ELV AND RoHS COMPLIANT



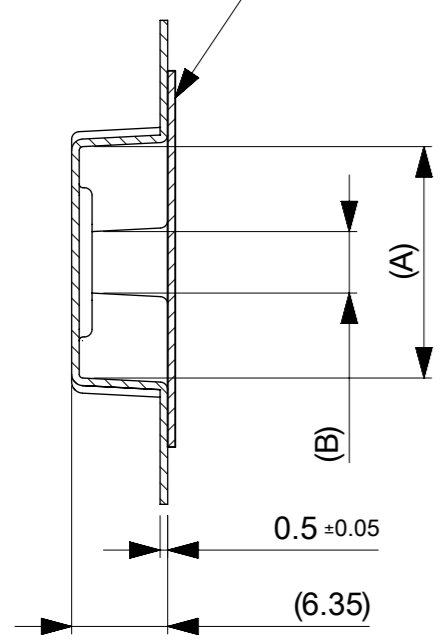
DETAIL "F"

THIS DRAWING CONTAINS INFORMATION THAT IS PROPRIETARY TO MOLEX ELECTRONIC TECHNOLOGIES, LLC AND SHOULD NOT BE USED WITHOUT WRITTEN PERMISSION										
DIMENSION UNITS	SCALE	CURRENT REV DESC:			molex					
mm	2:1									
GENERAL TOLERANCES (UNLESS SPECIFIED)					EMBSTP PKG FOR 2.0 FPC TO BOARD RA TYPE					
ANGULAR TOL	± 3.0 °	EC NO: 761497			PRODUCT CUSTOMER DRAWING					
4 PLACES	± 0.2	DRWN: RAJAGN 2023/08/31			DOCUMENT NUMBER					
3 PLACES	± 0.2	CHK'D: HSHIMOYAMA 2023/09/01			5051470000					
2 PLACES	± 0.2	APPR: HSHIMOYAMA 2023/09/01			DOC TYPE DOC PART REVISION					
1 PLACE	± 0.25	INITIAL REVISION:			PSD 000 B					
0 PLACES	± 0.3	DRWN: AISHII 2015/10/29			MATERIAL NUMBER					
DRAFT WHERE APPLICABLE MUST REMAIN WITHIN DIMENSIONS		THIRD ANGLE PROJECTION		DRAWING		SERIES		CUSTOMER		SHEET NUMBER
		A3-SIZE		505147		GENERAL		1 OF 2		

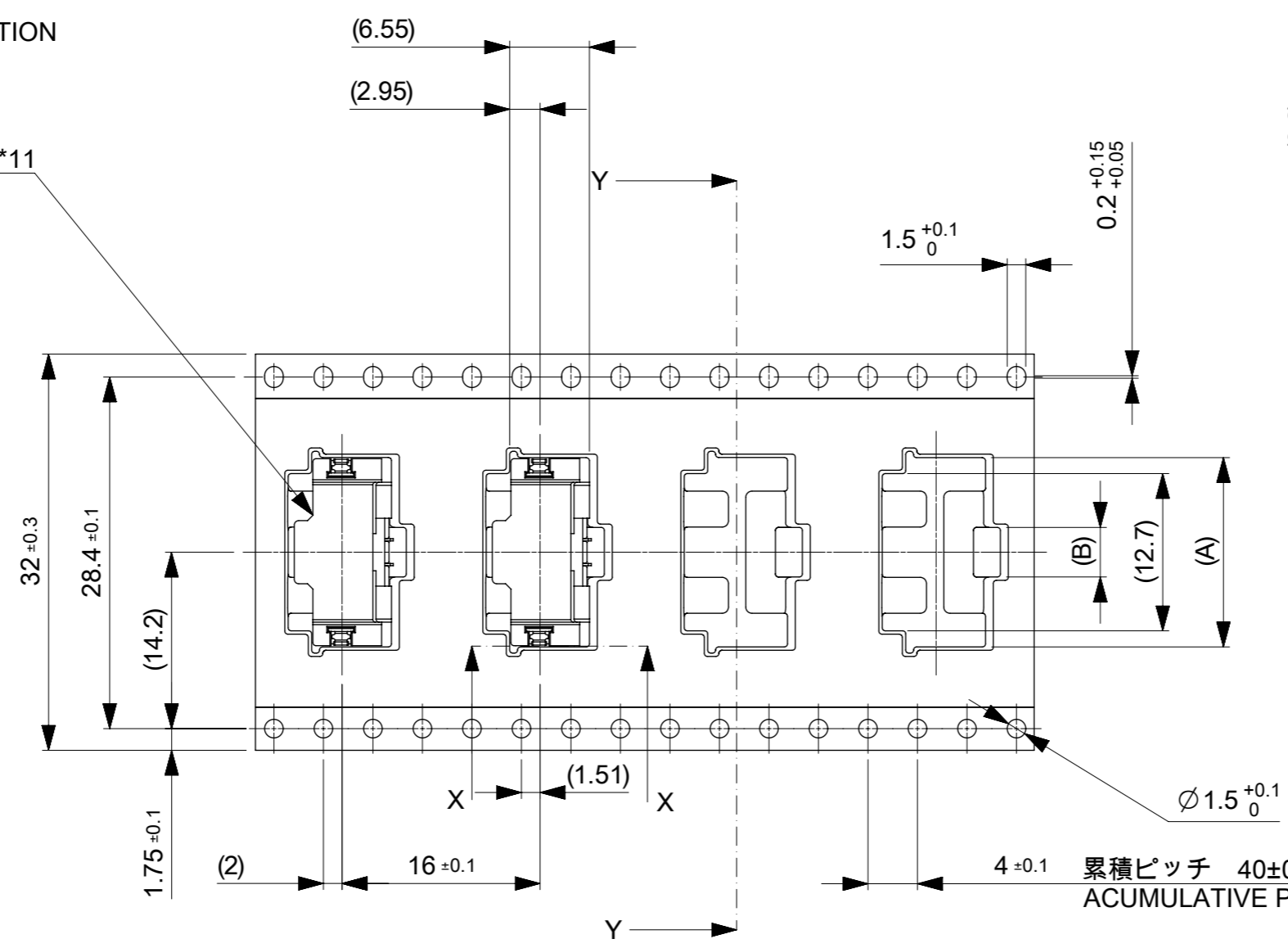
引き出し方向
PULL OUT DIRECTION

505147**11

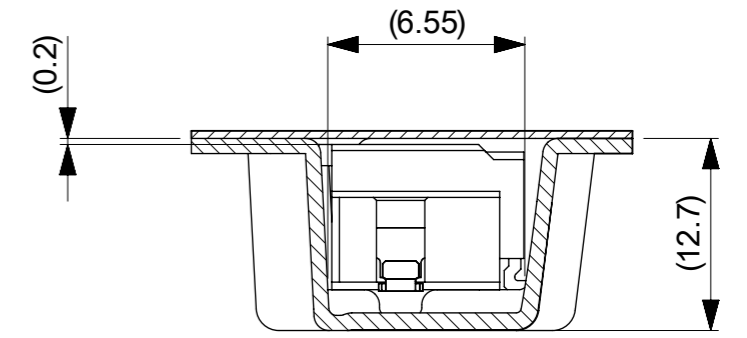
トップテープ
TOP TAPE



SECTION Y-Y



32mm幅キャリアテープ
32mm WIDTH CARRIER TAPE



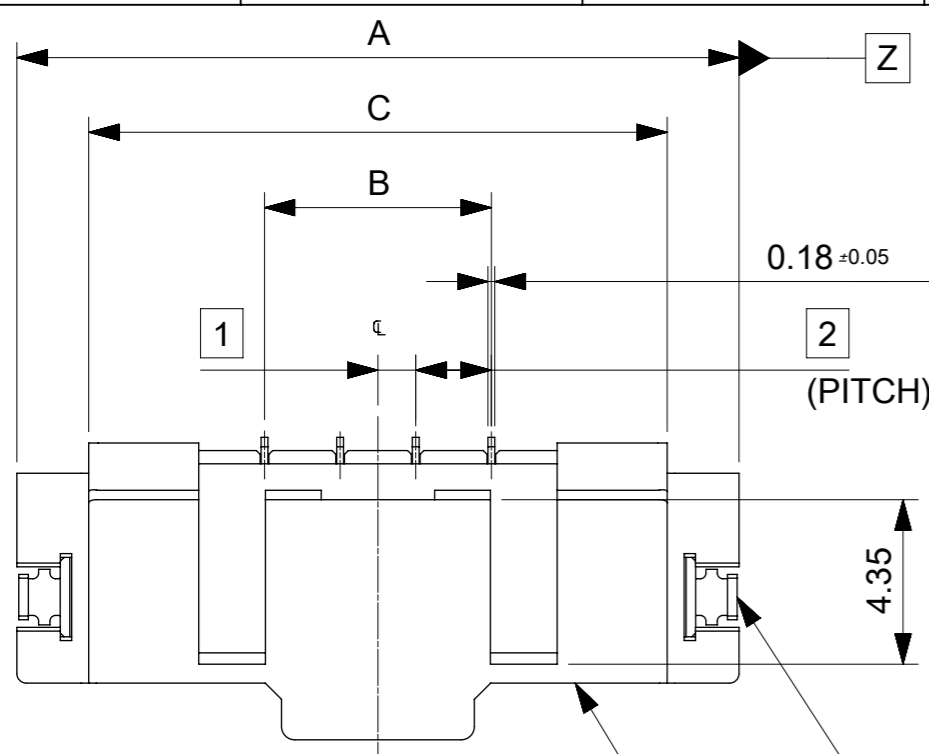
SECTION X-X

累積ピッチ 40±0.2
ACUMULATIVE PITCH 40±0.2

32	33.4	8.0	19.3	5051470490	4	
		6.0	17.3	5051470390	3	
		4.0	15.3	5051470290	2	
キャリアテープ幅 CARRIER TAPE WIDTH		C	B	A	オーダー番号 ORDER NO.	極数 CKT

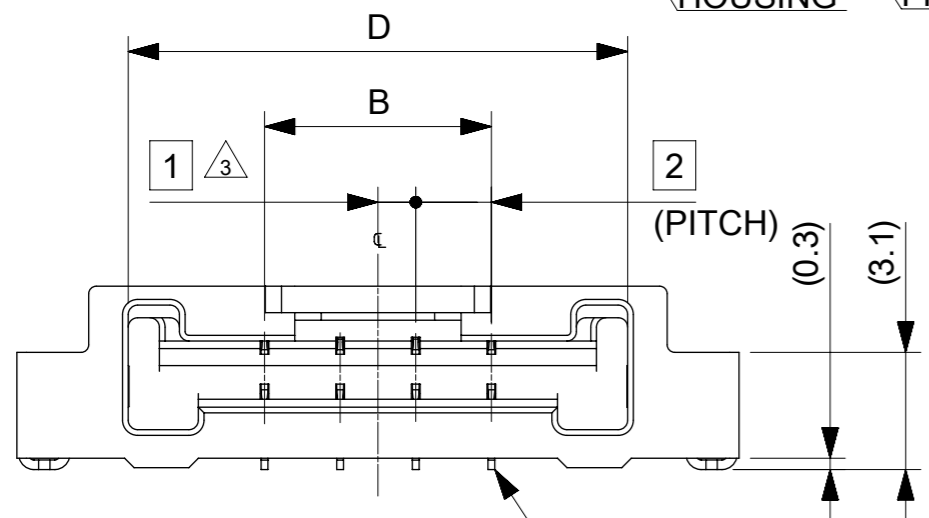
THIS DRAWING CONTAINS INFORMATION THAT IS PROPRIETARY TO MOLEX ELECTRONIC TECHNOLOGIES, LLC AND SHOULD NOT BE USED WITHOUT WRITTEN PERMISSION

DIMENSION UNITS mm	SCALE 2:1	CURRENT REV DESC:			
GENERAL TOLERANCES (UNLESS SPECIFIED)		<p>molex</p> <p>EMBSTP PKG FOR 2.0 FPC TO BOARD RA TYPE</p> <p>PRODUCT CUSTOMER DRAWING</p>			
ANGULAR TOL ± 3.0°					
4 PLACES ± 0.2	EC NO: 761497	DOCUMENT NUMBER 5051470000			
3 PLACES ± 0.2	DRWN: RAJAGN 2023/08/31	DOC TYPE PSD	DOC PART 000	REVISION B	
2 PLACES ± 0.2	CHK'D: HSHIMOYAMA 2023/09/01	MATERIAL NUMBER SEE CHART			
1 PLACE ± 0.25	APPR: HSHIMOYAMA 2023/09/01	CUSTOMER GENERAL			
0 PLACES ± 0.3	INITIAL REVISION: DRWN: AISHII 2015/10/29 APPR: YNOGAWA 2015/12/04	SHEET NUMBER 2 OF 2			
DRAFT WHERE APPLICABLE MUST REMAIN WITHIN DIMENSIONS	THIRD ANGLE PROJECTION	DRAWING A3-SIZE	SERIES 505147		

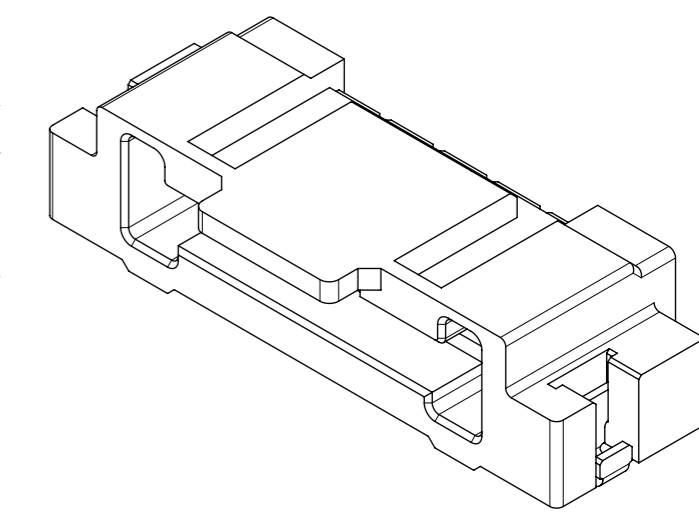
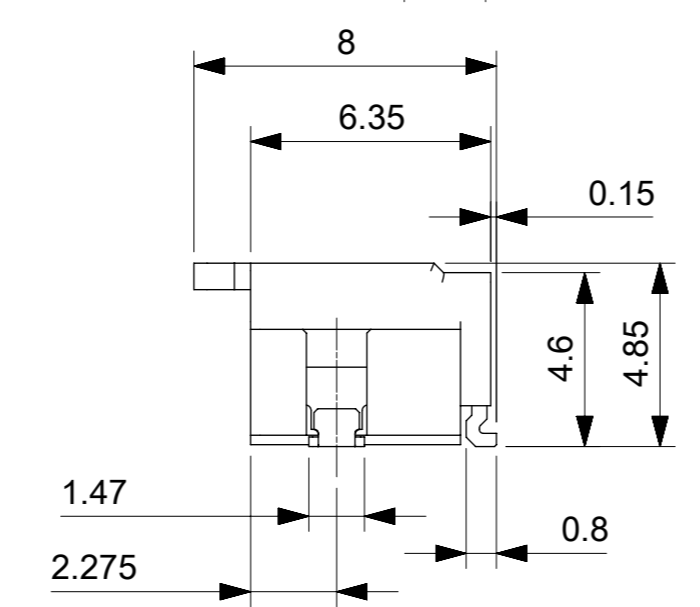
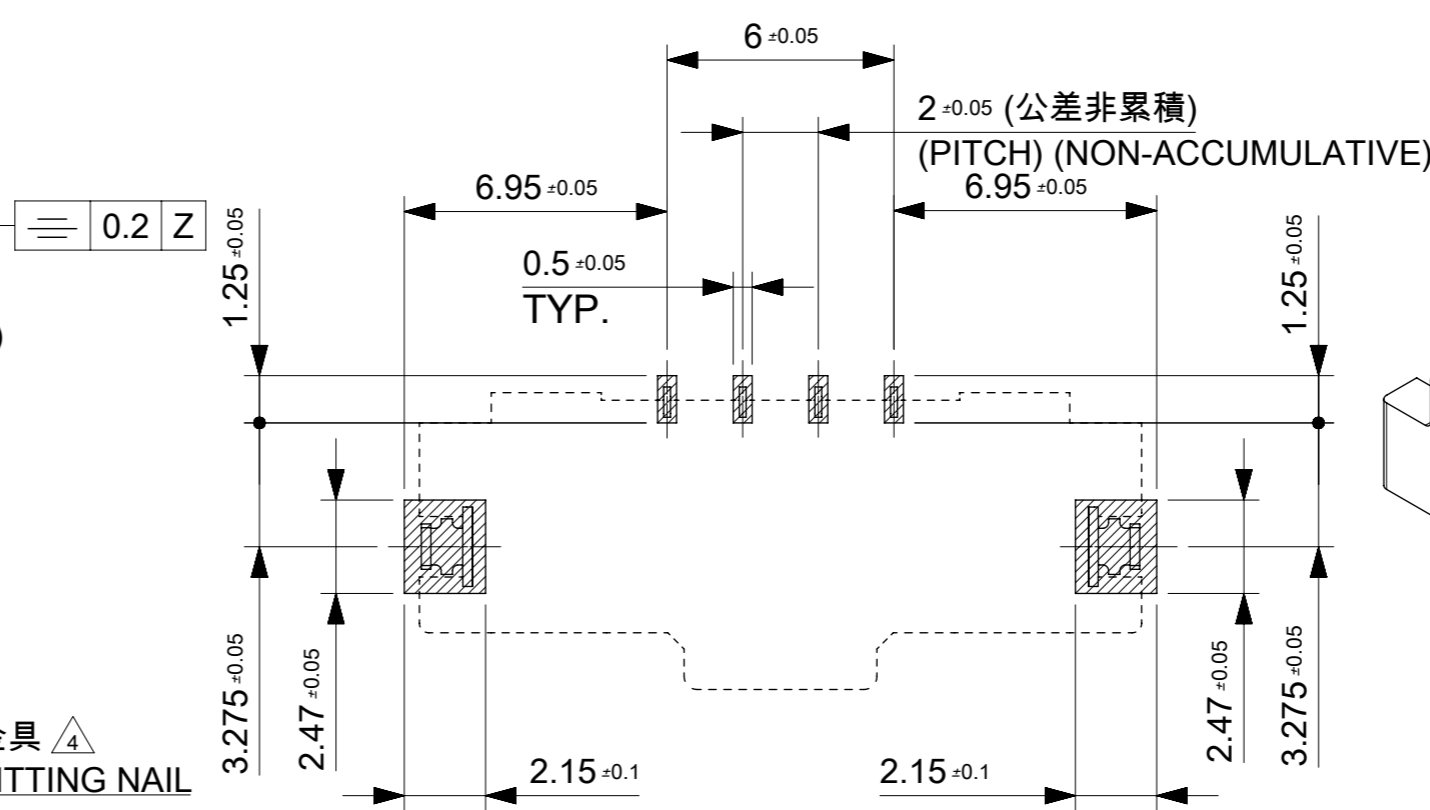


ハウジング
HOUSING

金具
FITTING NAIL



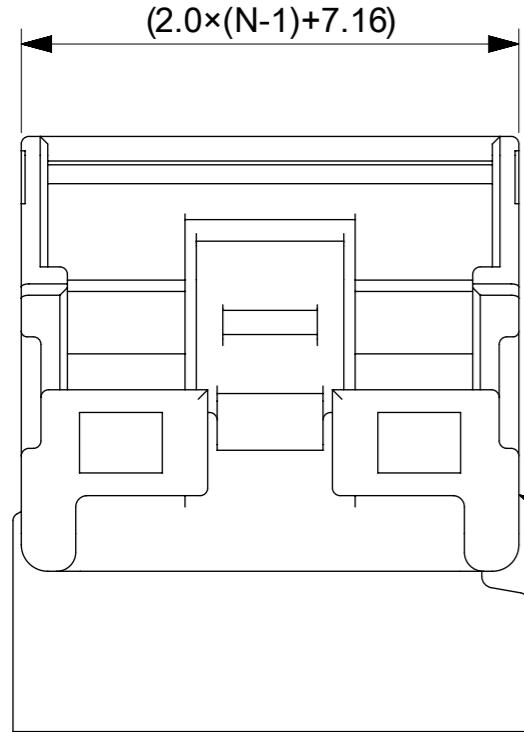
ターミナル
TERMINAL



13.21	15.3	6.0	19.1	5051470490	4
11.21	13.3	4.0	17.1	5051470390	3
9.21	11.3	2.0	15.1	5051470290	2
D	C	B	A	EMBOSSED PACKAGE	極数
オーダー番号 ORDER NO.					CIRCUITS
CONNECTOR SERIES NO. 505147**11					

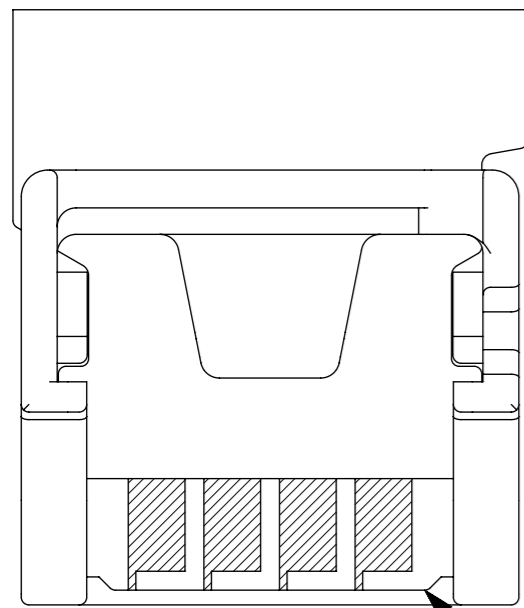
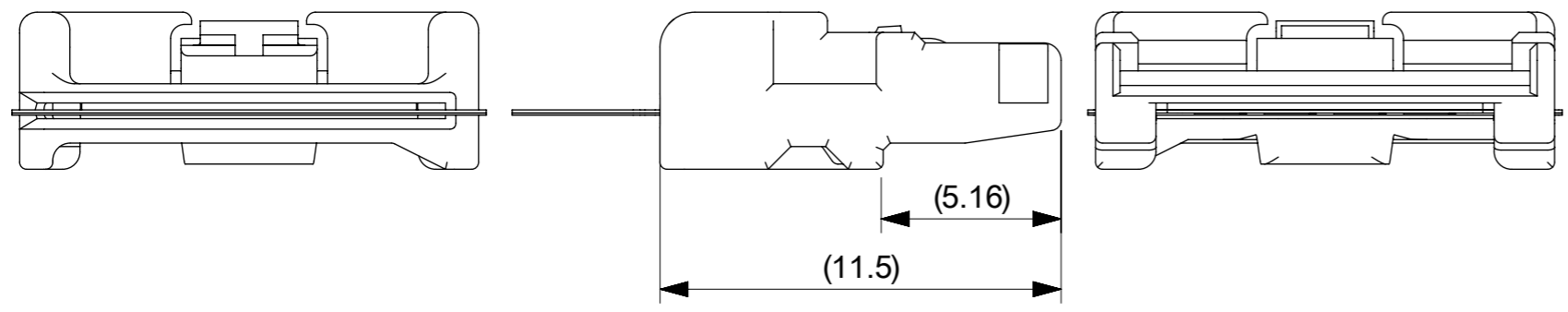
THIS DRAWING CONTAINS INFORMATION THAT IS PROPRIETARY TO MOLEX ELECTRONIC TECHNOLOGIES, LLC AND SHOULD NOT BE USED WITHOUT WRITTEN PERMISSION

EC NO: 104966 DRWN: AISHII CHK'D: TKUSUHARA01 APPR: TKUSUHARA01	2016/05/10	2016/05/13	2016/05/13	GENERAL TOLERANCES (UNLESS SPECIFIED) ANGULAR TOL ± 3.0 ° 4 PLACES ± 0.2 3 PLACES ± 0.2 2 PLACES ± 0.2 1 PLACE ± 0.2 0 PLACES ± 0.2 DRAFT WHERE APPLICABLE MUST REMAIN WITHIN DIMENSIONS	DIMENSION UNITS	SCALE			
					mm	5:1			
					DRWN BY	DATE		AISHII	2015/10/21
					CHK'D BY	DATE		KTAKAHASHI	2015/12/03
					APPR BY	DATE	YNOGAWA	2015/12/04	
					DRAWING SIZE	THIRD ANGLE PROJECTION			
					A3				
PRODUCT CUSTOMER DRAWING			SERIES	MATERIAL NUMBER	CUSTOMER				
			505147	SEE CHART	GENERAL				
DOCUMENT NUMBER			DOC TYPE	DOC PART	SHEET NUMBER				
5051471000			PSD	000	1 OF 3				



参考 プラグコネクタ
REFERENCE PLUG CONNECTOR

△5 プラグジャケット
PLUG JACKET

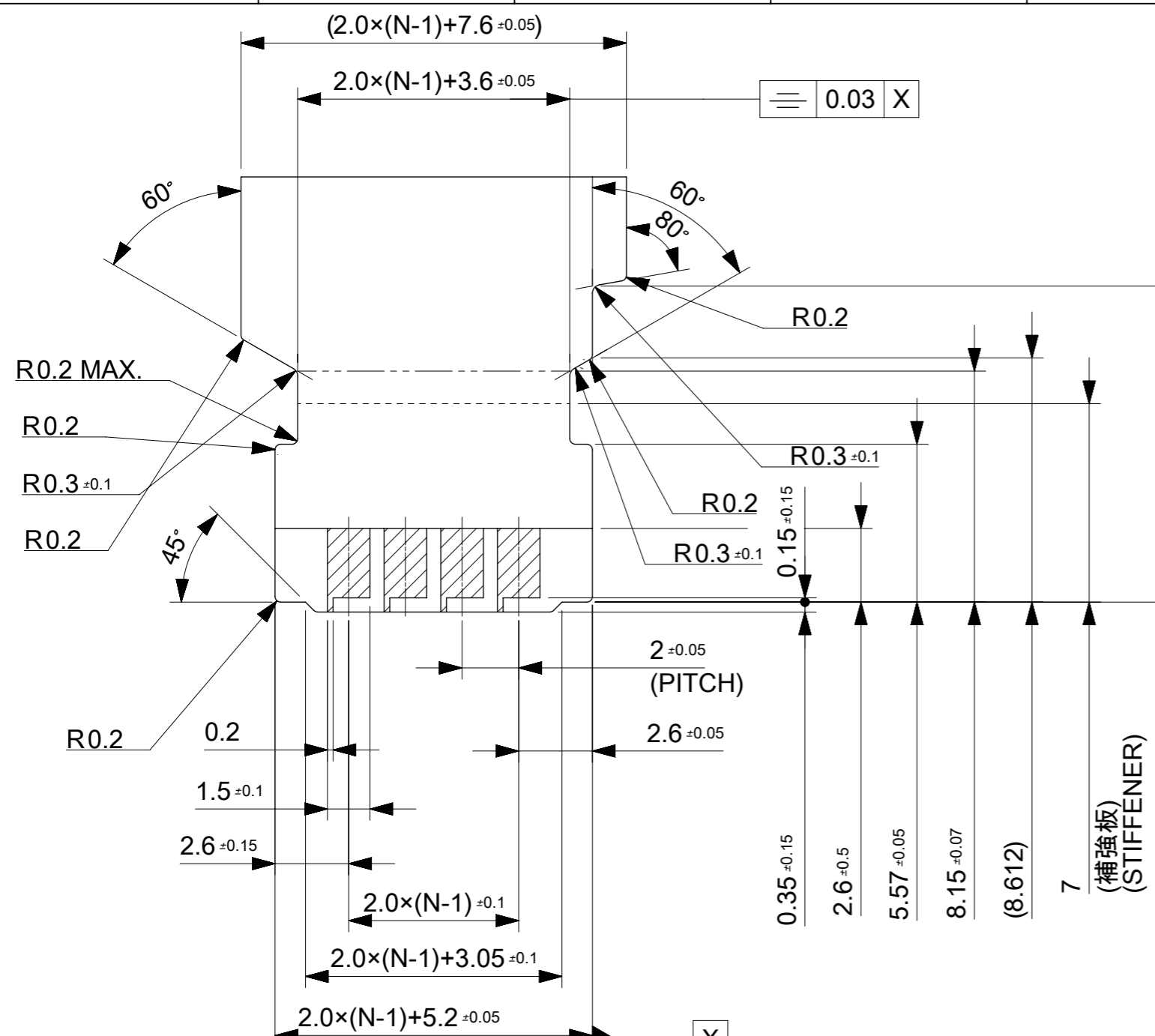


FPC

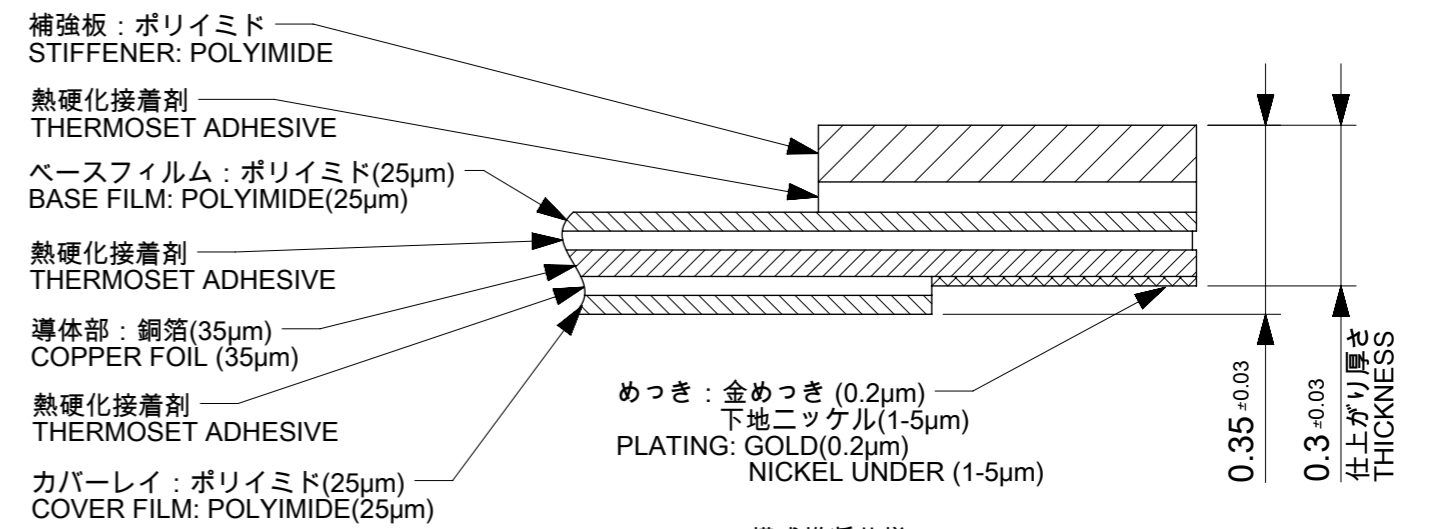
注記 NOTES

1. 使用材料 MATERIAL
ハウジング : 液晶ポリマー(LCP), ガラス充填 UL94V-0, 色 ; 黒色
HOUSING : LIQUID CRYSTAL POLYMER(LCP), GLASS FILLED UL94V-0, COLOR; BLACK
ターミナル : 銅合金(t=0.18)
TERMINAL : COPPER ALLOY(t=0.18)
金具 : 銅合金(t=0.25)
FITTING NAIL : COPPER ALLOY(t=0.25)
2. めっき仕様 PLATING
ターミナル TERMINAL
コンタクト部 : 部分金めっき(0.1μm以上)
テール部 : 部分金めっき
下地 : ニッケルめっき(1.0μm以上)
CONTACT AREA : SEPARATED GOLD PLATING (0.1 MICROMETER MINIMUM)
SOLDER TAIL AREA : SEPARATED GOLD PLATING UNDERPLATE : NICKEL OVERALL (1.0 MICROMETER MINIMUM)
金具 FITTING NAIL
錫めっき(1.0μm以上)
下地 : ニッケルめっき(1.0μm以上)
TIN PLATING (0.1 MICROMETER MINIMUM) UNDERPLATE : NICKEL OVERALL (1.0 MICROMETER MINIMUM)
- △3 N = 偶数に適用 (N : 極数)
APPLY FOR N=EVEN(N:CIRCUIT)
- △4 パターン剥離止め用金具
FITTING NAIL FOR PREVENTION OF PEELING OF P.C.B PATTERN.
- △5 適合プラグジャケット : 505148**08
製品詳細寸法は5051480000を参照下さい。
APPLICABLE PLUG JACKET:505148**08.
DETAILED DIMENSION,SEE 5051480000.
6. テールと金具を併せた平坦度は0.1mm以下とする。
TAILS AND NAILS COPLANARITY TO BE 0.1mm MAXIMUM.
7. ELV及びRoHS適合品
ELV AND RoHS COMPLIANT.

THIS DRAWING CONTAINS INFORMATION THAT IS PROPRIETARY TO MOLEX ELECTRONIC TECHNOLOGIES, LLC AND SHOULD NOT BE USED WITHOUT WRITTEN PERMISSION										
EC NO: 104966 DRWN: AISHII CHK'D: TKUSUHARA01 APPR: TKUSUHARA01	2016/05/10 2016/05/13 2016/05/13		GENERAL TOLERANCES (UNLESS SPECIFIED)		DIMENSION UNITS	SCALE	molex®			
			ANGULAR TOL ± 3.0 °		mm	5:1				
			4 PLACES ± 0.2	DRWN BY		DATE		2.0 FPC TO BOARD CONN REC. HSG ASSY(RA)		
			3 PLACES ± 0.2	AISHII		2015/10/21				
			2 PLACES ± 0.2	CHK'D BY		DATE		PRODUCT CUSTOMER DRAWING		
		1 PLACE ± 0.2	KTAKAHASHI		2015/12/03					
		0 PLACES ± 0.2	APPR BY		DATE		SERIES MATERIAL NUMBER CUSTOMER			
		DRAFT WHERE APPLICABLE MUST REMAIN WITHIN DIMENSIONS		YNOGAWA		2015/12/04				
B		REV	DRAWING SIZE		THIRD ANGLE PROJECTION		505147 SEE CHART GENERAL			
			A3							
RELEASE STATUS P1 RELEASE DATE 2016/05/13 05:58:41				DOCUMENT NUMBER 5051471000		DOC TYPE PSD		DOC PART 000		SHEET NUMBER 2 OF 3



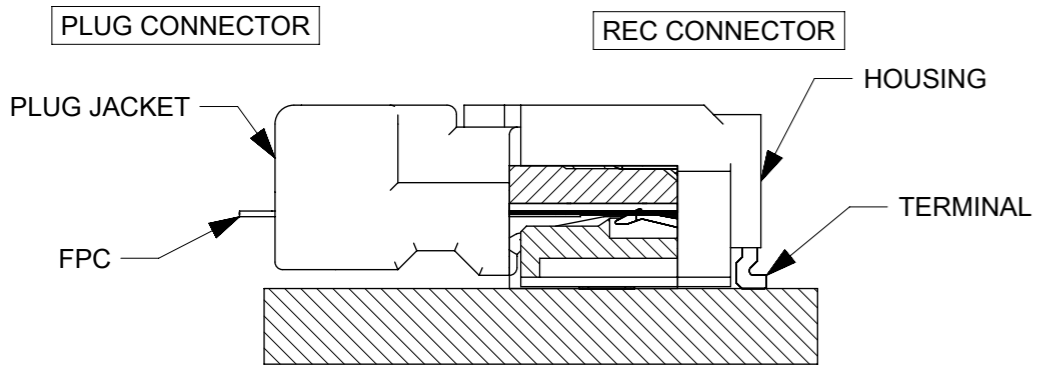
参考FPC寸法
 REFERENCE FPC DIMENSION
 (仕上がり厚さ : 接点部0.3±0.03)
 (THICKNESS : CONTACT AREA 0.3 +/-0.03)



FPC構成推奨仕様
 RECOMMENDED STRUCTURE OF FPC

FPCについて:
 打ち抜き方向は導体側から補強板側を推奨します。
 導体部については軟銅箔35µmまたは50µmを推奨します
 補強フィルム材質はポリイミドを推奨します。ベースフィルムは25µmを推奨します。
 接着剤は熱硬化接着剤を推奨します。
 接点部に異物が無い様お願い致します。

NOTES OF FPC :
 RECOMMENDED PUNCHER DIRECTION : FROM CONDUCTOR SIDE TOWARDS STIFFENER SIDE.
 RECOMMENDED CONDUCTOR SPEC :
 THICKNESS OF SOFT COPPER FOIL : 35 MICROMETER OR 50 MICROMETER.
 RECOMMENDED MATERIAL/THICKNESS.
 STIFFENER : POLYIMIDE
 BASE FILM THICKNESS : 25µm
 ADHESIVE : THERMOSET ADHESIVE
 THE CONTACT PAD AREA SHOULD BE WELL INSPECTED AND AVOID ALL FOREIGN CONTAMINATIONS.



嵌合断面
 MATED CONNECTOR SECTION

THIS DRAWING CONTAINS INFORMATION THAT IS PROPRIETARY TO MOLEX ELECTRONIC TECHNOLOGIES, LLC AND SHOULD NOT BE USED WITHOUT WRITTEN PERMISSION										
EC NO: 104966 DRWN: AISHII CHK'D: TKUSUHARA01 REV APPR: TKUSUHARA01	GENERAL TOLERANCES (UNLESS SPECIFIED)			DIMENSION UNITS	SCALE	molex®				
	ANGULAR TOL ± 3.0 °			mm	5:1					
	4 PLACES	± 0.2	AISHII	DATE		2.0 FPC TO BOARD CONN REC. HSG ASSY(RA)				
	3 PLACES	± 0.2	AISHII		2015/10/21					
	2 PLACES	± 0.2	CHK'D BY		DATE		PRODUCT CUSTOMER DRAWING			
1 PLACE	± 0.2	KTAKAHASHI		2015/12/03						
0 PLACES	± 0.2	APPR BY		DATE		SERIES MATERIAL NUMBER CUSTOMER				
DRAFT WHERE APPLICABLE MUST REMAIN WITHIN DIMENSIONS		YNOGAWA		2015/12/04						505147
DRAWING SIZE		THIRD ANGLE PROJECTION		A3		DOCUMENT NUMBER		DOC TYPE	DOC PART	SHEET NUMBER
						5051471000		PSD	000	3 OF 3