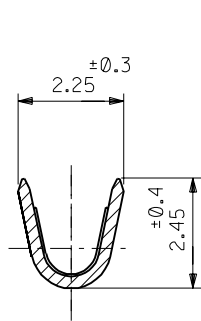
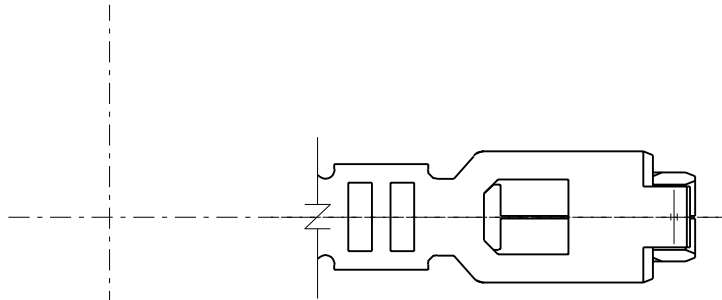
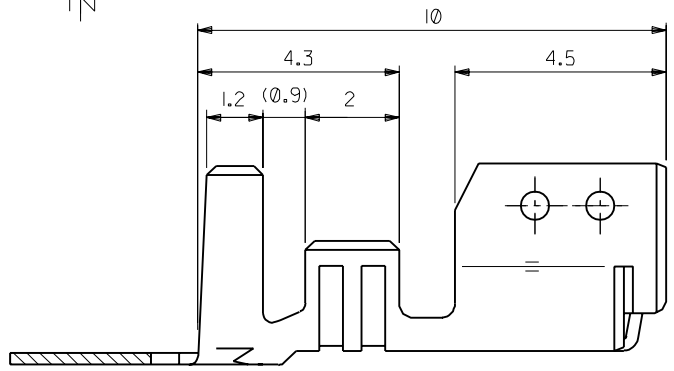
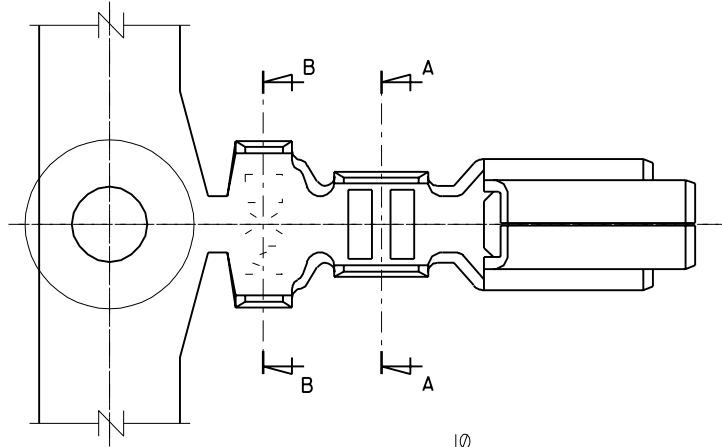
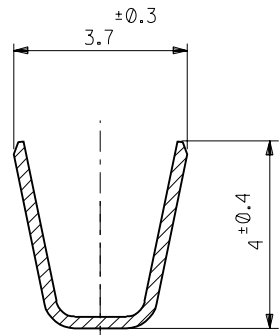


DIMENSIONS IN METRIC DO NOT SCALE DRAWING

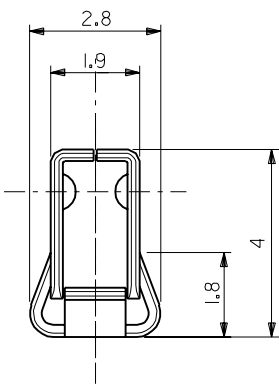
ENG. NO. SD-50217-****
EDP NO.



SECT.A-A



SECT.B-B



注記

1. 適合ハウジング：51067-***00

| | | |
|-----------------------|------------|------|
| リン青銅，錫メッキ (+0.254) | 50217-8100 | バラ状 |
| | 50217-8000 | 連鎖状 |
| 黄銅，錫メッキ (+0.254) | 50217-9101 | バラ状 |
| | 50217-9001 | 連鎖状 |
| 材 料 | ENG. NO. | 端子形状 |

| | |
|-------------------------|-------|
| 角度 ANGLE | ±3° |
| 30以上 OVER | +0.3 |
| 10以上 30未滿 UNDER | +0.25 |
| 10未滿 UNDER | +0.2 |
| 一般公差 GENERAL TOLERANCES | |

| | |
|-------------------|---------------|
| 材料 MATERIAL | — |
| 仕上げ FINISH | — |
| 適用電線範囲 WIRE RANGE | AWG#18~#24 |
| 被覆外径 INS. RANGE | φ 1.4 ~ φ 3.0 |
| DRAWN BY | K.ASAKAWA |
| CHK'D BY | M.FUKUSHIMA |
| APP'D BY | M.ENOMOTO |
| DATE | 90/11/15 |
| DR. CHK. | |
| REVISION RECORD | |
| 記号 LTR | |
| 変更内容 | |
| DR. CHK. | |
| 日付 | |

REVISE ONLY ON CAD SYSTEM

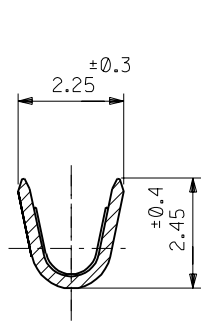
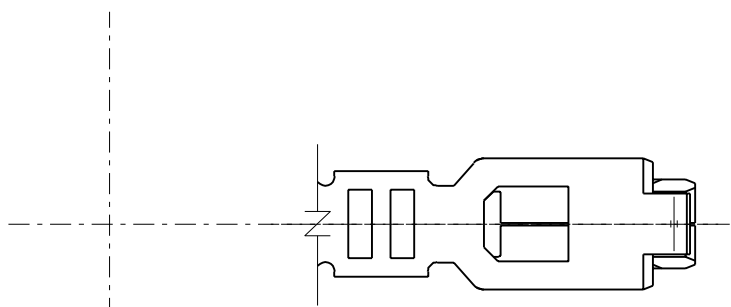
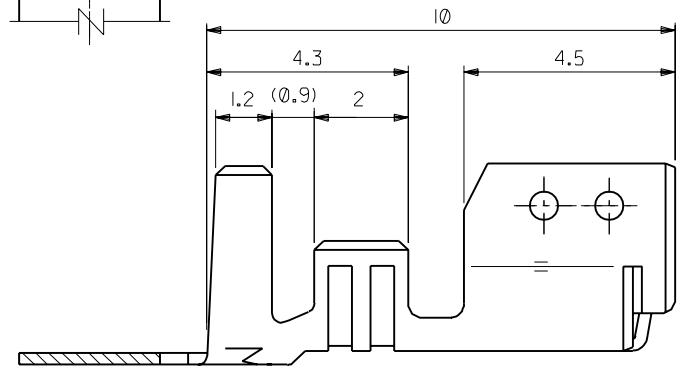
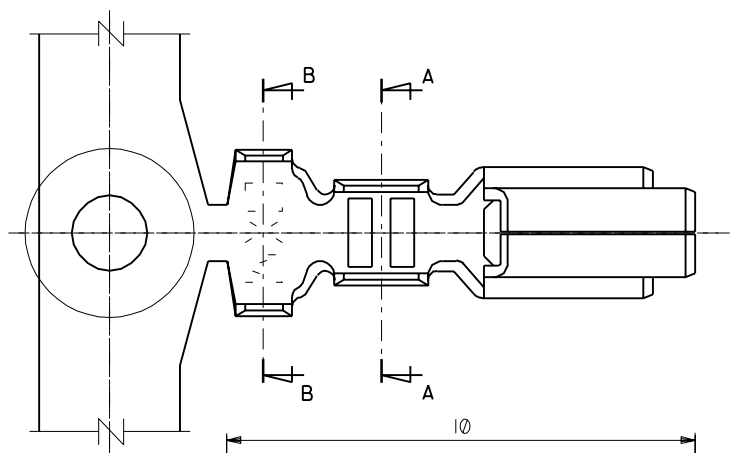
| | |
|-------------------|---------------|
| 材料 MATERIAL | — |
| 仕上げ FINISH | — |
| 適用電線範囲 WIRE RANGE | AWG#18~#24 |
| 被覆外径 INS. RANGE | φ 1.4 ~ φ 3.0 |
| DRAWN BY | K.ASAKAWA |
| CHK'D BY | M.FUKUSHIMA |
| APP'D BY | M.ENOMOTO |
| DATE | 90/11/15 |
| DR. CHK. | |
| REVISION RECORD | |
| 記号 LTR | |
| 変更内容 | |
| DR. CHK. | |
| 日付 | |

| | |
|---|-----|
| molex MOLEX-JAPAN CO.,LTD. 日本モレックス株式会社 | |
| EDP. NO. | |
| ENG. NO. | REV |
| SD-50217-**** | A |
| TITLE 名称 3.5 WIRE TO BOARD CONN. CRIMP RECEPTACLE | |

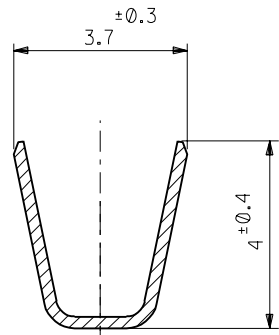
THIS DRAWING CONTAINS INFORMATION THAT IS PROPRIETARY TO MOLEX(JAPAN) AND SHOULD NOT BE USED WITHOUT WRITTEN PERMISSION
本図面は日本モレックス(株)の所有する情報を含むもので 当社の許可なく複製を禁止する。

ENG. NO. SD-50217-****
EDP NO.

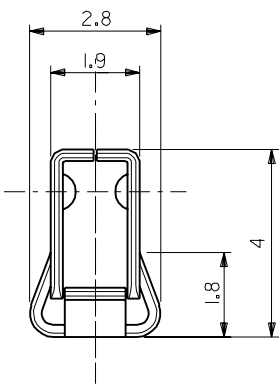
MM DIMENSIONS IN METRIC DO NOT SCALE DRAWING



SECT.A-A



SECT.B-B



NOTES

1. APPLICABLE HOUSING :51067-***00

| | | |
|------------------------------------|------------|-------|
| PHOS. BRO. PRE-TINNED (t=0.254) | 50217-8100 | LOOSE |
| | 50217-8000 | CHAIN |
| BRASS PRE-TINNED (t=0.254) | 50217-9101 | LOOSE |
| | 50217-9001 | CHAIN |
| MATERIAL | ENG. NO. | FORM |

材料 MATERIAL REFER TO CHART

molex MOLEX-JAPAN CO.,LTD.
日本モレックス株式会社

仕上げ FINISH —

EDP. NO.

適用電線範囲 WIRE RANGE AWG#18~#24

ENG. NO. SD-50217-**** REV A

被覆外径 INS. RANGE φ 1.4 ~ φ 3.0

TITLE 名称 3.5 WIRE TO BOARD CONN. CRIMP RECEPTACLE

DRAWN BY '90/11/14 S.AIHARA
CHK'D BY '90/11/15 M.FUKUSHIMA
APP'D BY '90/11/15 M.ENOMOTO
尺 度 SCALE —

| | | | | | |
|-------------------------|-------|---------------------------|----------------------|----------|-----------|
| 角度 ANGLE | ±3° | | | | |
| 30以上 OVER | +0.3 | A | REVISED (J01176) | 5.3 | '90/11/14 |
| 10以上 30未滿 UNDER | +0.25 | 0 | PROPOSED (J91079) | 4.3 | '89/12/18 |
| 10未滿 UNDER | +0.2 | 記号 LTR | 変更内容 REVISION RECORD | DR. CHK. | 日付 DATE |
| 一般公差 GENERAL TOLERANCES | | REVISE ONLY ON CAD SYSTEM | | | |

THIS DRAWING CONTAINS INFORMATION THAT IS PROPRIETARY TO MOLEX(JAPAN) AND SHOULD NOT BE USED WITHOUT WRITTEN PERMISSION
本図面は日本モレックス(株)の所有する情報を含むもので 当社の許可なく複製を禁止する。