

RELEASE PAPER

4.80 mm WITH SOLDER PASTE MAX
(INCLUDE PCB)

(30.00)

(70.00)

(120.00)

VERTICAL DIRECTION
SEE NOTE 3

150.00 ±2.00

141.05 ±2.00

20.50

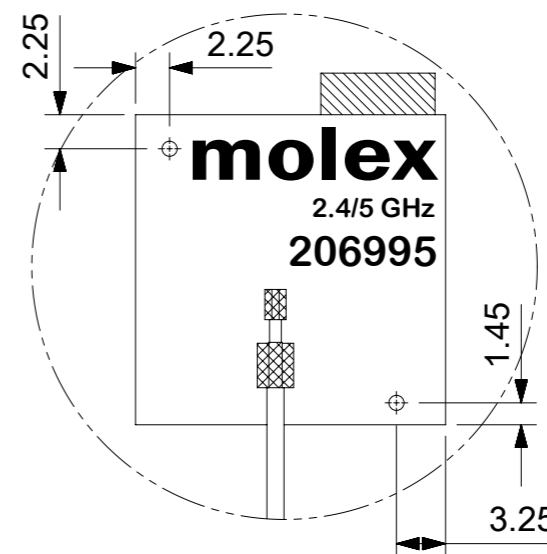
20.50

A

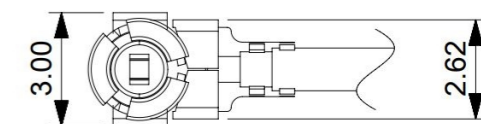
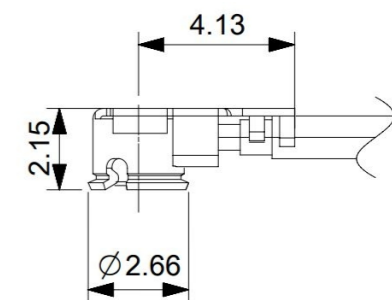
ON-RING SPACER

CABLE

CONNECTOR



DETAIL A
SCALE 2:1



CONNECTOR

NOTES:

- MATERIAL: PCB 20.5*20.5*3mm
CABLE: \varnothing 1.13mm
CONNECTOR: OD1.13 RF 2.5H CONNECTOR (PLUG GOLD PLATED)
2 HOLE SIZE: \varnothing 1mm
- SOLDER MASK COLOR: BLACK.
- FOR PULL TEST, CAN NOT LIFT UP IN THE VERTICAL DIRECTION.
- THE CONNECTOR WILL BE PROTECTED WITH A CAP.
- ON-RING SPACER SIZE: LINE DIAMETER 3mm.
- APPLICATION SPEC PLEASE REFER TO AS OF 2069950150.
- PRODUCT SPEC PLEASE REFER TO PS OF 2069950150.
- PACKAGING DRAWING PLEASE REFER TO PK OF 2069950150.

SYMBOLS	THIS DRAWING CONTAINS INFORMATION THAT IS PROPRIETARY TO MOLEX ELECTRONIC TECHNOLOGIES, LLC AND SHOULD NOT BE USED WITHOUT WRITTEN PERMISSION		CURRENT REV DESC:		molex
	DIMENSION UNITS	SCALE			
$\nabla = 0$	mm	1:1			2.4/5 GHZ PCB ANTENNA
$\nabla = 0$	GENERAL TOLERANCES (UNLESS SPECIFIED)				
$\nabla = 0$	ANGULAR TOL \pm				PRODUCT CUSTOMER DRAWING
$\nabla = 0$	4 PLACES	\pm			
$\nabla = 0$	3 PLACES	\pm			DOCUMENT NUMBER
$\nabla = 0$	2 PLACES	\pm 0.2			
$\nabla = 0$	1 PLACE	\pm 0.3			2069950150
$\nabla = 0$	0 PLACES	\pm			
$\square = 0$	DRAFT WHERE APPLICABLE MUST REMAIN WITHIN DIMENSIONS		THIRD ANGLE PROJECTION	DRAWING	SERIES
$\nabla = 0$				A3-SIZE	206995
			MATERIAL NUMBER	CUSTOMER	SHEET NUMBER
			2069950150	GENERAL MARKET	1 OF 1

Mouser Electronics

Authorized Distributor

Click to View Pricing, Inventory, Delivery & Lifecycle Information:

[Molex:](#)

[206995-0150](#)