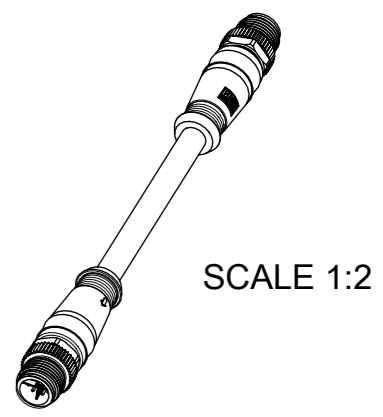


NOTES:
 VOLTAGE RATING: 48 V
 CURRENT RATING: 0.5 A
 TEMPERATURE RATING:
 STATIC: -40 °C TO 80 °C
 DYNAMIC: -20 °C TO 80 °C
 IP RATING: IP 67 (IN MATED AND LOCKED CONDITION)
 TRANSMISSION CHARACTERISTICS ACCORDING TO ISO/IEC 11801 CLASS EA CHANNEL,
 WITH INSERTION LOSS BEING IGNORED FOR CABLE LENGTHS ≤ 1 m OR ≥ 65 m
 POWER TRANSMISSION TEST ACCORDING IEEE802.3bt UP TO 65m LENGTH
 PACKAGING: CORDSETS ARE PACKED IN A POLYBAG



BILL OF MATERIAL

ITEM	QTY	DESCRIPTION	MATERIAL	FINISH/COLOR
1	1	CABLE	PUR	GREEN
2	16	CONTACT 6 MALE	BRASS	Au OVER Ni
3	-	MOLDING MATERIAL	TPU	BLACK
4	2	INSERT M12 CAT6A MALE 8P	PA6	BLACK
5	2	SHELL M12 CAT6A	ZINC DIE-CAST	Ni PLATED
6	2	NUT M12 MALE	BRASS	Ni PLATED
7	2	I/D CARRIER	PVC	TRANSPARENT
8	1	LABEL 2.0X1.75	VINYL	YELLOW

FUNCTIONAL SYMBOLS $\nabla_A = 0$ $\nabla_E = 1$ $\nabla_V = 0$	THIS DRAWING CONTAINS INFORMATION THAT IS PROPRIETARY TO MOLEX ELECTRONIC TECHNOLOGIES, LLC AND SHOULD NOT BE USED WITHOUT WRITTEN PERMISSION	SCALE 2:1	CURRENT REV DESC:		
	mm	GENERAL TOLERANCES (UNLESS SPECIFIED)	EC NO: 760691 DRWN: MBLOESER 2023/08/21 CHK'D: RSILLER 2023/08/29 APPR: RSILLER 2023/08/29		
	ANGULAR TOL $\pm 1.0^\circ$	4 PLACES \pm	INITIAL REVISION: DRWN: FGAIK 2017/06/19 APPR: BBRAUCH 2017/06/21		
	2 PLACES ± 0.05	1 PLACE ± 0.3	0 PLACES ± 0.5	DRAFT WHERE APPLICABLE MUST REMAIN WITHIN DIMENSIONS	
DIVISIONAL SYMBOLS		THIRD ANGLE PROJECTION	DRAWING A3-SIZE	SERIES 120341	MATERIAL NUMBER SEE TABLE 1
CUSTOMER GENERAL MARKET			DOCUMENT NUMBER 1203410300	DOC TYPE PSD	DOC PART 000
SHEET NUMBER 1 OF 2			REVISION A10		



CSE M12 CAT6A 8P XC MA STR PUR XM DE

PRODUCT CUSTOMER DRAWING

1203410300 PSD 000 A10

GENERAL MARKET 1 OF 2

TABLE 1

MOLEX PN	ENGINEERING NO.	DESCRIPTION	LENGTH [mm]
1203410312	E22E06020C250	M12 CAT6A M/M ST/ST PUR GREEN 0.25M	250
1203410300	E22E06020M005	M12 CAT6A M/M ST/ST PUR GREEN 0.5M	500
1203410301	E22E06020M010	M12 CAT6A M/M ST/ST PUR GREEN 1M	1000
1203410313	E22E06020M015	M12 CAT6A M/M ST/ST PUR GREEN 1.5M	1500
1203410302	E22E06020M020	M12 CAT6A M/M ST/ST PUR GREEN 2M	2000
1203410303	E22E06020M030	M12 CAT6A M/M ST/ST PUR GREEN 3M	3000
1203410304	E22E06020M040	M12 CAT6A M/M ST/ST PUR GREEN 4M	4000
1203410305	E22E06020M050	M12 CAT6A M/M ST/ST PUR GREEN 5M	5000
1203410859	E22E06020M070	M12 CAT6A M/M ST/ST PUR GREEN 7M	7000
1203410374	E22E06020M080	M12 CAT6A M/M ST/ST PUR GREEN 8M	8000
1203410306	E22E06020M100	M12 CAT6A M/M ST/ST PUR GREEN 10M	10000
1203410375	E22E06020M120	M12 CAT6A M/M ST/ST PUR GREEN 12M	12000
1203410307	E22E06020M150	M12 CAT6A M/M ST/ST PUR GREEN 15M	15000
1203410376	E22E06020M180	M12 CAT6A M/M ST/ST PUR GREEN 18M	18000
1203410308	E22E06020M200	M12 CAT6A M/M ST/ST PUR GREEN 20M	20000
1203410377	E22E06020M220	M12 CAT6A M/M ST/ST PUR GREEN 22M	22000
1203410311	E22E06020M250	M12 CAT6A M/M ST/ST PUR GREEN 25M	25000
1203410309	E22E06020M300	M12 CAT6A M/M ST/ST PUR GREEN 30M	30000
1203410823	E22E06020M340	M12 CAT6A M/M ST/ST PUR GREEN 34M	34000
1203410378	E22E06020M350	M12 CAT6A M/M ST/ST PUR GREEN 35M	35000
1203410310	E22E06020M400	M12 CAT6A M/M ST/ST PUR GREEN 40M	40000
1203410379	E22E06020M450	M12 CAT6A M/M ST/ST PUR GREEN 45M	45000
1203410371	E22E06020M500	M12 CAT6A M/M ST/ST PUR GREEN 50M	50000
1203410380	E22E06020M550	M12 CAT6A M/M ST/ST PUR GREEN 55M	55000
1203410372	E22E06020M600	M12 CAT6A M/M ST/ST PUR GREEN 60M	60000
1203410381	E22E06020M650	M12 CAT6A M/M ST/ST PUR GREEN 65M	65000
1203410373	E22E06020M700	M12 CAT6A M/M ST/ST PUR GREEN 70M	70000
1203410847	E22E06020M800	M12 CAT6A M/M ST/ST PUR GREEN 80M	80000
WITH ID CARRIER			
1203410385	E22E06020M005H	M12 CAT6A M/M ST/ST PUR GREEN 0.5M-ID	500
1203410386	E22E06020M010H	M12 CAT6A M/M ST/ST PUR GREEN 1M-ID	1000
1203410396	E22E06020M015H	M12 CAT6A M/M ST/ST PUR GREEN 1.5M-ID	1500
1203410387	E22E06020M020H	M12 CAT6A M/M ST/ST PUR GREEN 2M-ID	2000
1203410388	E22E06020M030H	M12 CAT6A M/M ST/ST PUR GREEN 3M-ID	3000
1203410389	E22E06020M040H	M12 CAT6A M/M ST/ST PUR GREEN 4M-ID	4000
1203410390	E22E06020M050H	M12 CAT6A M/M ST/ST PUR GREEN 5M-ID	5000
1203410391	E22E06020M100H	M12 CAT6A M/M ST/ST PUR GREEN 10M-ID	10000
1203410392	E22E06020M150H	M12 CAT6A M/M ST/ST PUR GREEN 15M-ID	15000
1203410393	E22E06020M200H	M12 CAT6A M/M ST/ST PUR GREEN 20M-ID	20000
1203410922	E22E06020M250H	M12 CAT6A M/M ST/ST PUR GREEN 25M-ID	25000
1203410394	E22E06020M300H	M12 CAT6A M/M ST/ST PUR GREEN 30M-ID	30000
1203410923	E22E06020M350H	M12 CAT6A M/M ST/ST PUR GREEN 35M-ID	35000
1203410395	E22E06020M400H	M12 CAT6A M/M ST/ST PUR GREEN 40M-ID	40000
1203410984	E22E06020M450H	M12 CAT6A M/M ST/ST PUR GREEN 45M-ID	45000
1203410397	E22E06020M500H	M12 CAT6A M/M ST/ST PUR GREEN 50M-ID	50000
1203410985	E22E06020M550H	M12 CAT6A M/M ST/ST PUR GREEN 55M-ID	55000
1203410398	E22E06020M600H	M12 CAT6A M/M ST/ST PUR GREEN 60M-ID	60000
1203410986	E22E06020M650H	M12 CAT6A M/M ST/ST PUR GREEN 65M-ID	65000
1203410399	E22E06020M700H	M12 CAT6A M/M ST/ST PUR GREEN 70M-ID	70000
1203410987	E22E06020M750H	M12 CAT6A M/M ST/ST PUR GREEN 75M-ID	75000
1203410988	E22E06020M850H	M12 CAT6A M/M ST/ST PUR GREEN 85M-ID	85000

CABLE LENGTH TOLERANCES

LENGTH	TOLERANCE
0 m - 1 m	+40 mm
>1 m - 5 m	+60 mm
>5 m - 10 m	+80 mm
>10 m - 20 m	+140 mm
>20 m - 30 m	+160 mm
>30 m	+1% length

FUNCTIONAL SYMBOLS ∇/A = 0 ∇/E = 0 ∇/Z = 0	THIS DRAWING CONTAINS INFORMATION THAT IS PROPRIETARY TO MOLEX ELECTRONIC TECHNOLOGIES, LLC AND SHOULD NOT BE USED WITHOUT WRITTEN PERMISSION		CURRENT REV DESC:	
	DIMENSION UNITS mm	SCALE 1:1	EC NO: 760691	
DIVISIONAL SYMBOLS	GENERAL TOLERANCES (UNLESS SPECIFIED)		2023/08/21	
	ANGULAR TOL ± 1.0°		DRWN: MBLOESER	
4 PLACES ±		2023/08/29		
3 PLACES ±		CHK'D: RSILLER		
2 PLACES ± 0.05		APPR: RSILLER		
1 PLACE ± 0.3		INITIAL REVISION:		
0 PLACES ± 0.5		DRWN: FGAIK		
DRAFT WHERE APPLICABLE MUST REMAIN WITHIN DIMENSIONS		APPR: BBRAUCH		
THIRD ANGLE PROJECTION		DRAWING	SERIES	DOCUMENT NUMBER
		A3-SIZE	120341	1203410300
		MATERIAL NUMBER	CUSTOMER	DOC TYPE DOC PART REVISION
		SEE TABLE 1	GENERAL MARKET	PSD 000 A10
				SHEET NUMBER
				2 OF 2



CSE M12 CAT6A 8P XC MA STR PUR XM DE

PRODUCT CUSTOMER DRAWING