

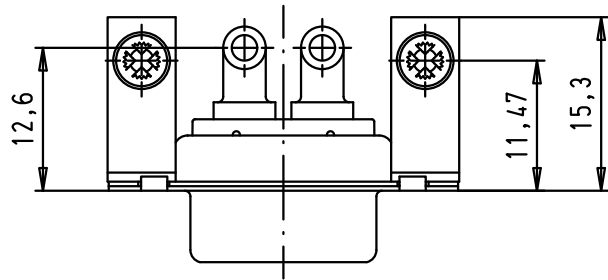
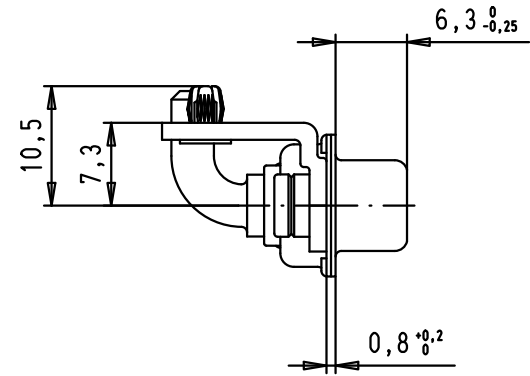
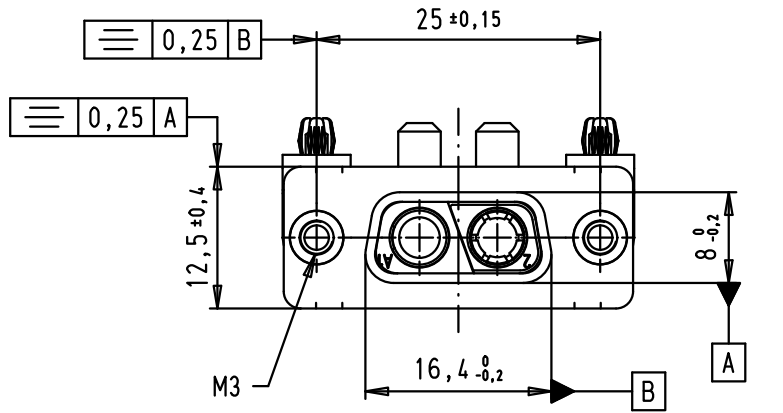
5

4

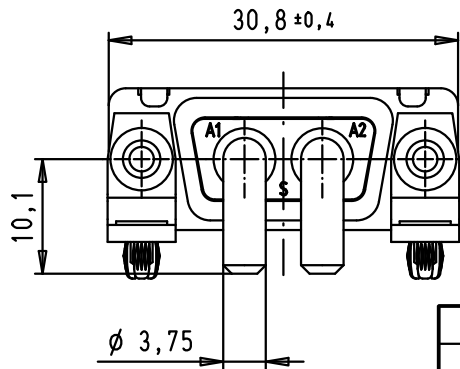
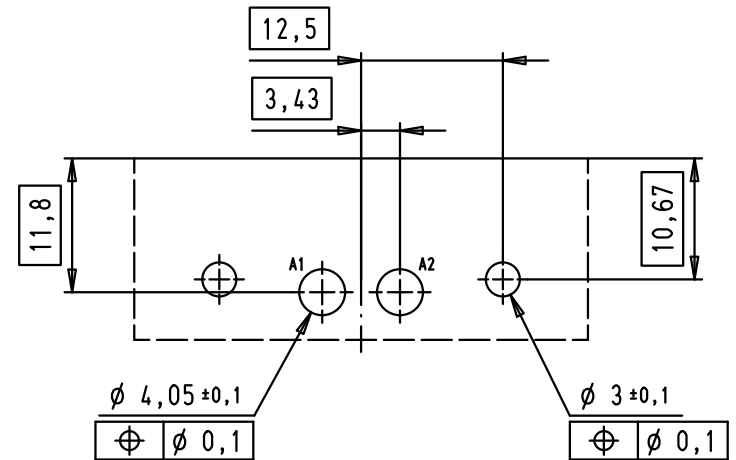
3

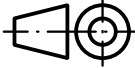

2

1



PCB layout, component side, thickness 1,6 mm



			Dat.		Name				D-Sub, female, angled, 2W2, 40A power contacts, tin plated shell with clinch nuts, brackets with board locks		Maßstab/ Scale		
			Detail.	19/12/03	AC		All Dim. in mm Orig. Size DIN A 4				1,5:1		
33922	22/12/06	PK	Insp.										
32524	04/02/05	AL	Stand.										
32348	26/12/04	TR				HARTING EURL F-95972 Paris				TB 09 69 100 9005		Blatt/ Page 1 / 1	
31582	19/12/03	AC											
Mod.	Dat.	Name											

D

C

B

A