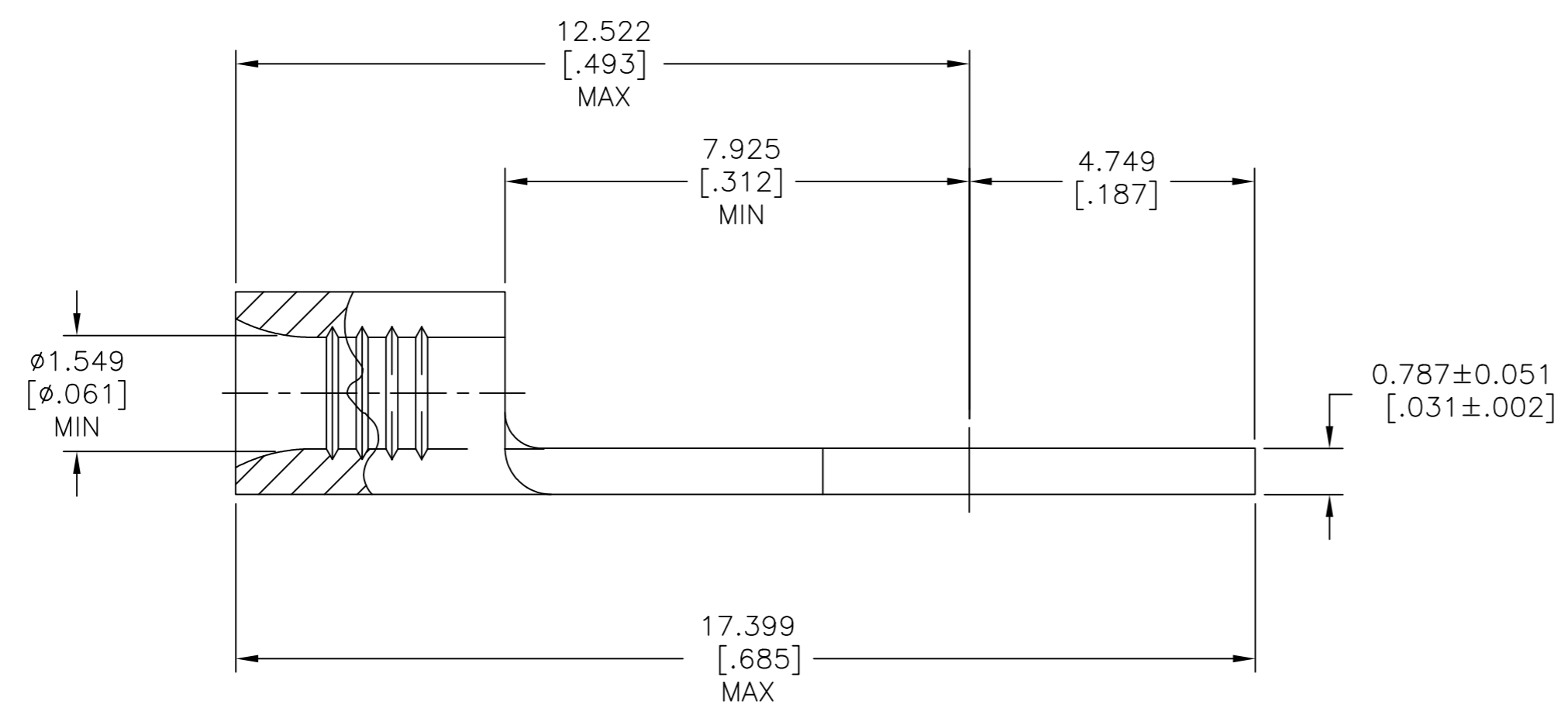
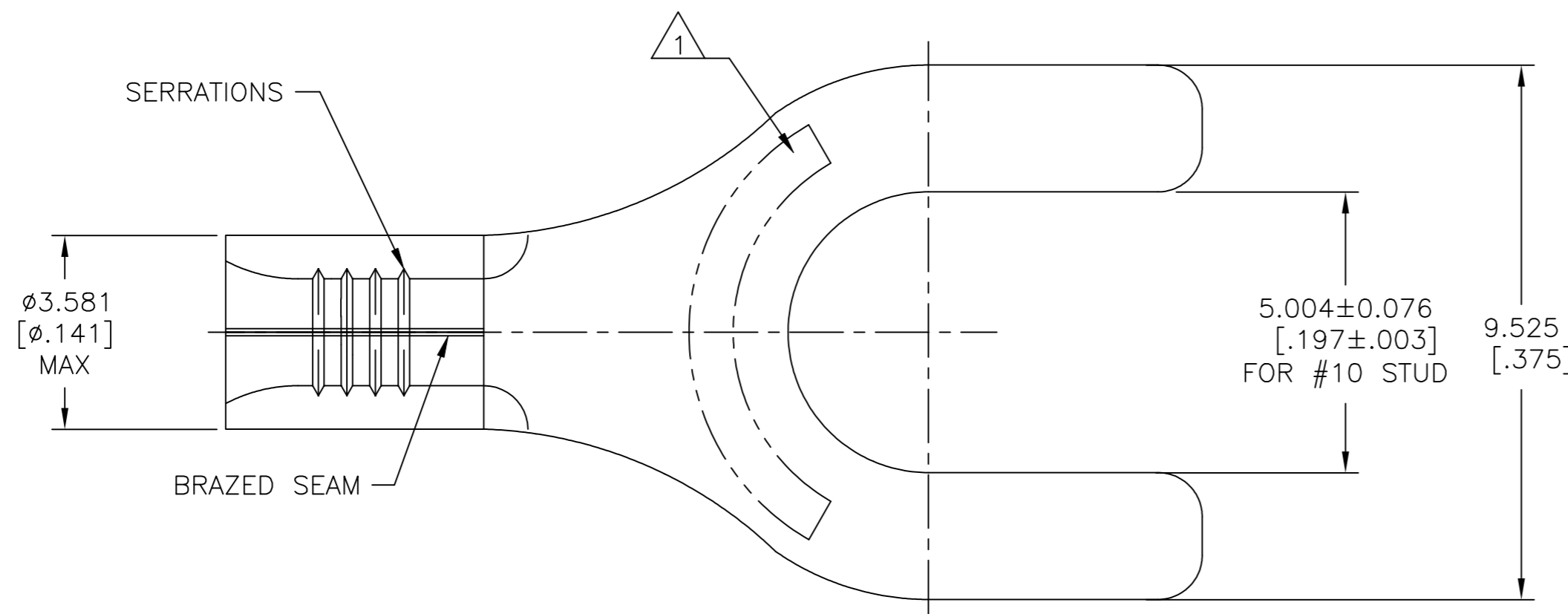


THIS DRAWING IS UNPUBLISHED. RELEASED FOR PUBLICATION
 © COPYRIGHT - By - ALL RIGHTS RESERVED.

| REVISIONS | | | | | |
|-----------|-----|---------------------------|-----------|-----|------|
| P | LTR | DESCRIPTION | DATE | DWN | APVD |
| F1 | | REVISED PER ECO-11-004917 | 11MAR11 | RK | HMR |
| F2 | | REVISED PER ECO-17-008808 | 28FEB2018 | RS | DR |



| | |
|--------------------------------|--------------------------------|
| AMP WIRE RANGE | E13288 Listed |
| 22-16 AWG SOLID OR STRANDED | 22-16 AWG SOLID OR STRANDED |
| LR7189 Certified | MILITARY P/N AND CLASS |
| 22-16 AWG SOLID OR STRANDED | NOT APPLICABLE |

1 STAMP AMP 22-18* APPROX AS SHOWN
 22-16 TERMINALS ARE STAMPED 22-18 IN
 ACCORDANCE WITH MILITARY SPECIFICATION
 SAE AS7928, COMMERCIAL WIRE RANGE IS
 22-18

AMP INCORPORATED
 CUSTOMER SERVICE SYSTEMS

MAX RECOMMENDED OPERATING
 TEMPERATURE:
 170° C [338°F] MAX

FOR ADDITIONAL
 PRODUCT INFORMATION OR
 COPIES OF DRAWINGS
 AND TECHNICAL DOCUMENTS

PRODUCT INFORMATION CENTER
 1-800-522-6752

VOLTAGE RATING:
 NOT APPLICABLE

FOR APPLICATION
 TOOLING INFORMATION

TOOLING ASSISTANCE CENTER
 1-800-722-1111

WIRE CROSS SECTIONAL AREA RANGE:
 0.26-1.65mm² [509-3,260] CIR MILS
 SOLID OR STRANDED

FOR ORDER ENTRY

1-800-526-5142

THIS DRAWING IS A CONTROLLED DOCUMENT FOR
 AMP INCORPORATED. IT IS SUBJECT TO CHANGE
 AND THE CONTROLLING ENGINEERING ORGANIZATION
 SHOULD BE CONTACTED FOR THE LATEST REVISION.

| | | |
|----------|----------------|-----------|
| 5000 | ON TAPE | 2-34118-2 |
| 1000 | LOOSE PIECE | 34118 |
| QUANTITY | PACKAGING TYPE | PART NO |

| | | |
|--|--|--------------------------------|
| THIS DRAWING IS A CONTROLLED DOCUMENT. | | DWN TA BRINKMAN 3-26-93 |
| DIMENSIONS: mm [INCHES] | | CHK DA PATTERSON 3-26-93 |
| TOLERANCES UNLESS OTHERWISE SPECIFIED: | | APVD DE MILLER 3-26-93 |
| 0 PLC ± - | | PRODUCT SPEC |
| 1 PLC ± - | | APPLICATION SPEC |
| 2 PLC ± - | | UL 486 A-B |
| 3 PLC ± 0.127[.005] | | |
| 4 PLC ± - | | |
| ANGLES ± - | | |
| MATERIAL COPPER PER ASTM B 552 ANNEALED | FINISH TIN PLATE 0.00254[.000100] MIN THK PER ASTM B545 | WEIGHT |

| | | | |
|--|--------------------|-----------------------|--------------------|
| TE Connectivity Ltd. | | | |
| NAME TERMINAL, SPADE™ TONGUE, SOLISTRAND™ 22-16 AWG | | | |
| SIZE A2 | CAGE CODE 00779 | DRAWING NO C=34118 | RESTRICTED TO - |
| CUSTOMER DRAWING | | SCALE 10:1 | SHEET 1 of 1 |
| | | REV F2 | |

Mouser Electronics

Authorized Distributor

Click to View Pricing, Inventory, Delivery & Lifecycle Information:

[TE Connectivity:](#)

[34118](#)