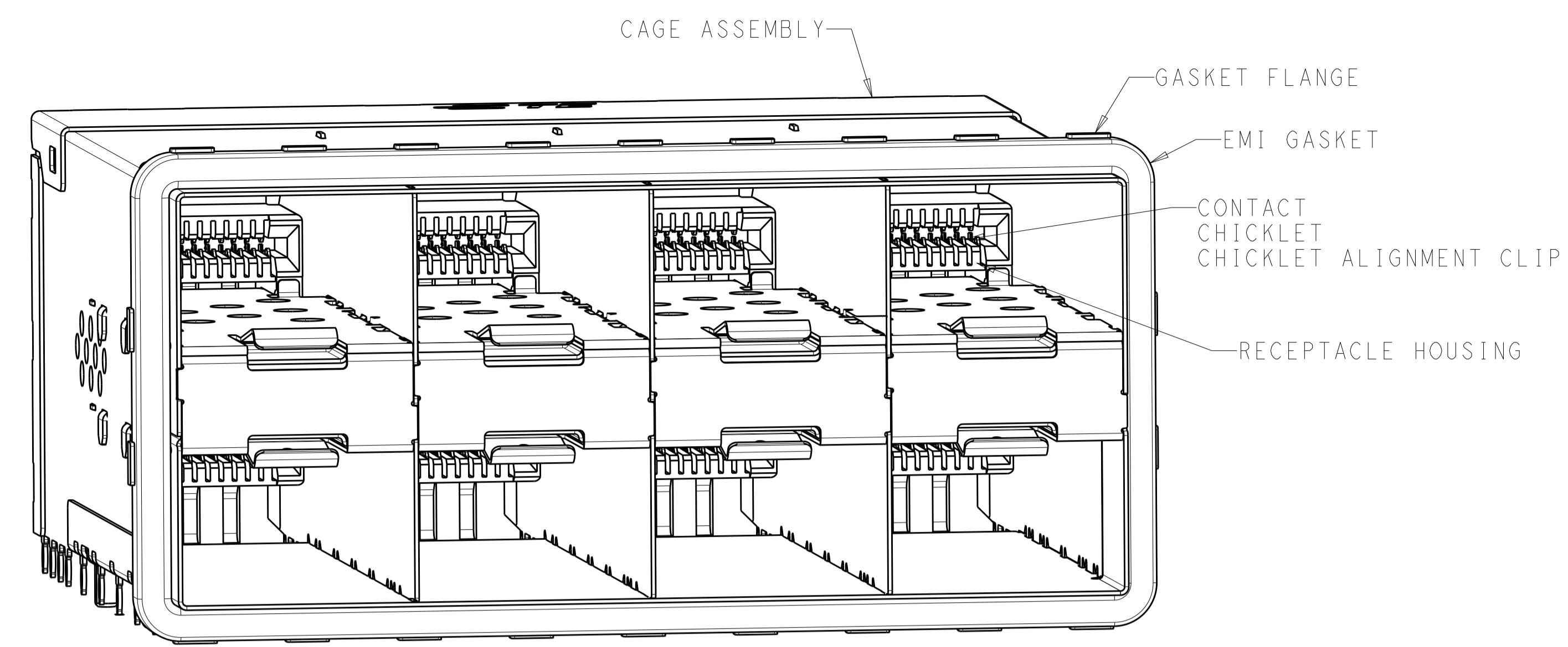
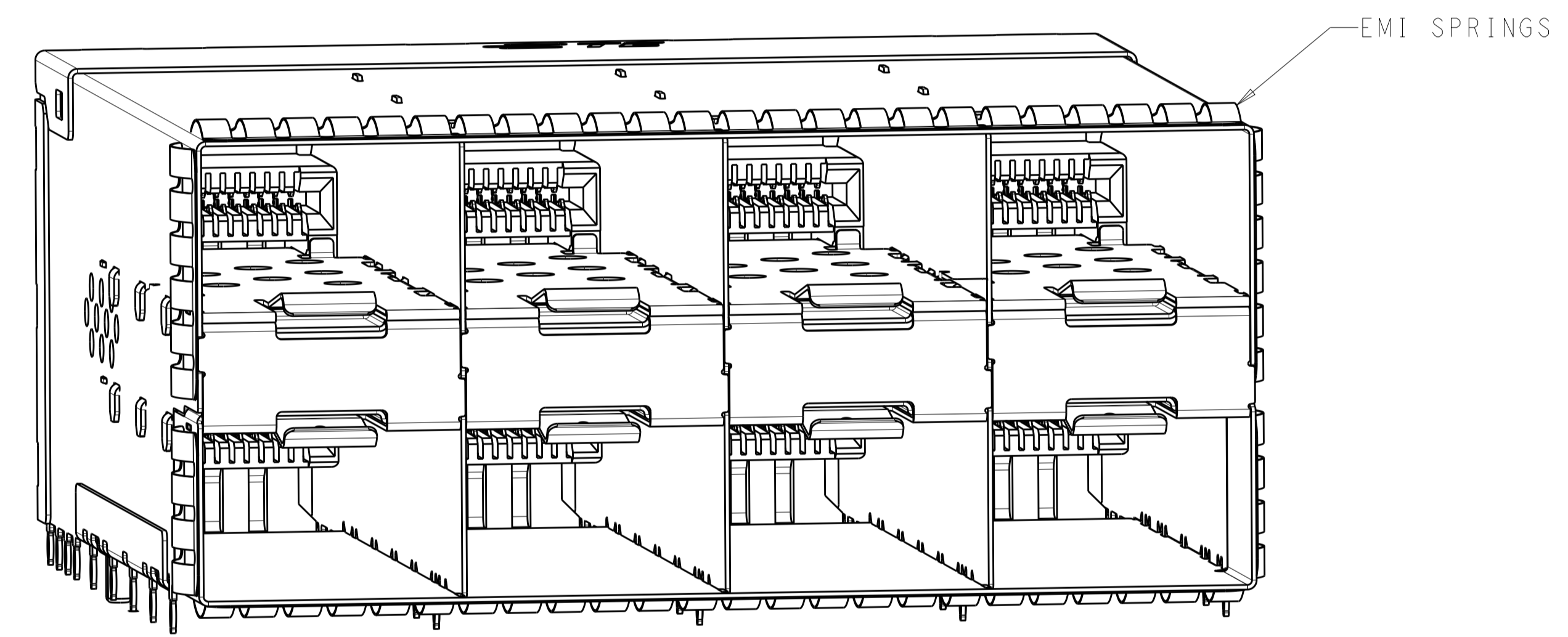


| LOC | | DIST | | REVISIONS | | | |
|-----|-----|---------------------------|-----------|-----------|------|--|--|
| P | LTN | DESCRIPTION | DATE | DMN | APVD | | |
| A | | PRODUCTION RELEASE | 05JUN2018 | JW | SH | | |
| B | | REVISED PER ECO-19-014631 | 24SEP2019 | JY | SH | | |

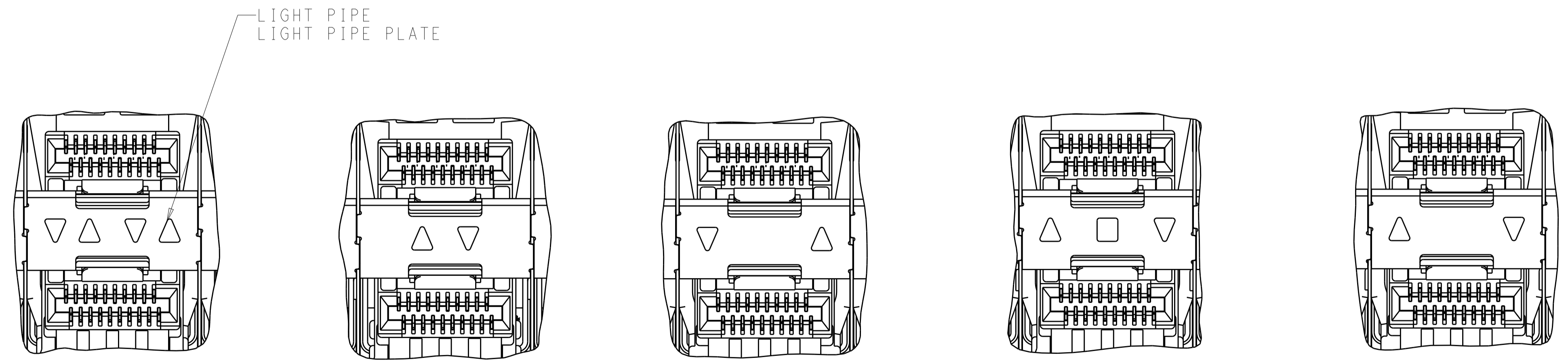


2339978-1
SCALE 4:1



2339978-5
SCALE 4:1

- MATERIALS:
 CAGE ASSEMBLY - NICKEL-SILVER ALLOY PER ASTM B 122
 CONNECTOR HOUSING - LCP, BLACK, UL 94V-O RATED
 CHICKLET - LCP, BLACK, UL 94V-O RATED
 CHICKLET ALIGNMENT CLIP - LCP, BLACK, UL 94V-O RATED
 CONTACT - COPPER ALLOY
 EMI GASKET - ELASTOMERIC
 GASKET FLANGE - STAINLESS STEEL
 EMI SPRINGS - PHOSPHOR BRONZE PER ASTM B 103,
 0.8µm MIN TIN PER ASTM B 545
 LIGHT PIPE - POLYCARBONATE
 INSULATOR TAPE: KAPTON
 LIGHT PIPE PLATE- STAINLESS STEEL
 - CONTACT FINISH:
 CONFORMS TO THE REQUIREMENTS OF PRODUCT SPECIFICATION 108-2481,
 BASED ON EIA/ECA-364-1000.01A, (CONTROLLED ENVIRONMENT
 APPLICATIONS) ON MATING INTERFACE, TIN ON NEEDLE EYE
 - PCB MINIMUM THICKNESS = 1.5mm
- ⚠ FOR HOLE SIZE AND PLATINGS,
 SEE APPLICATION SPECIFICATION 114-13319
- ⚠ LIGHT PIPE PAD LAYOUT IS FOR 0805 LOW PROFILE
 LED PACKAGE WITH A HEIGHT OF 0.8mm
- ⚠ DIMENSIONS APPLY FOR EMI SPRINGS ONLY
- ⚠ THE ENTIRE AREA OF THE CONNECTOR FOOTPRINT, INDICATED BY THE
 DASHED LINE, TO BE CONSIDERED THE KEEPOUT AREA FOR COMPONENTS
 AND SIGNAL TRACES, TOP SIDE ONLY, TOP SIDE TRACES ALLOWED
 WITHIN CONNECTOR HOLE PATTERN



INNER/OUTER LIGHT PIPES
2339978-2, 2339978-6
SCALE 4:1

INNER LIGHT PIPES
2339978-3, 2339978-7
SCALE 4:1

OUTER LIGHT PIPES
2339978-4, 2339978-8
SCALE 4:1

CENTER/REVERSED OUTER
1-2339978-7, 1-2339978-9
SCALE 4:1

REVERSED OUTER LIGHT PIPES
1-2339978-8, 2-2339978-0
SCALE 4:1

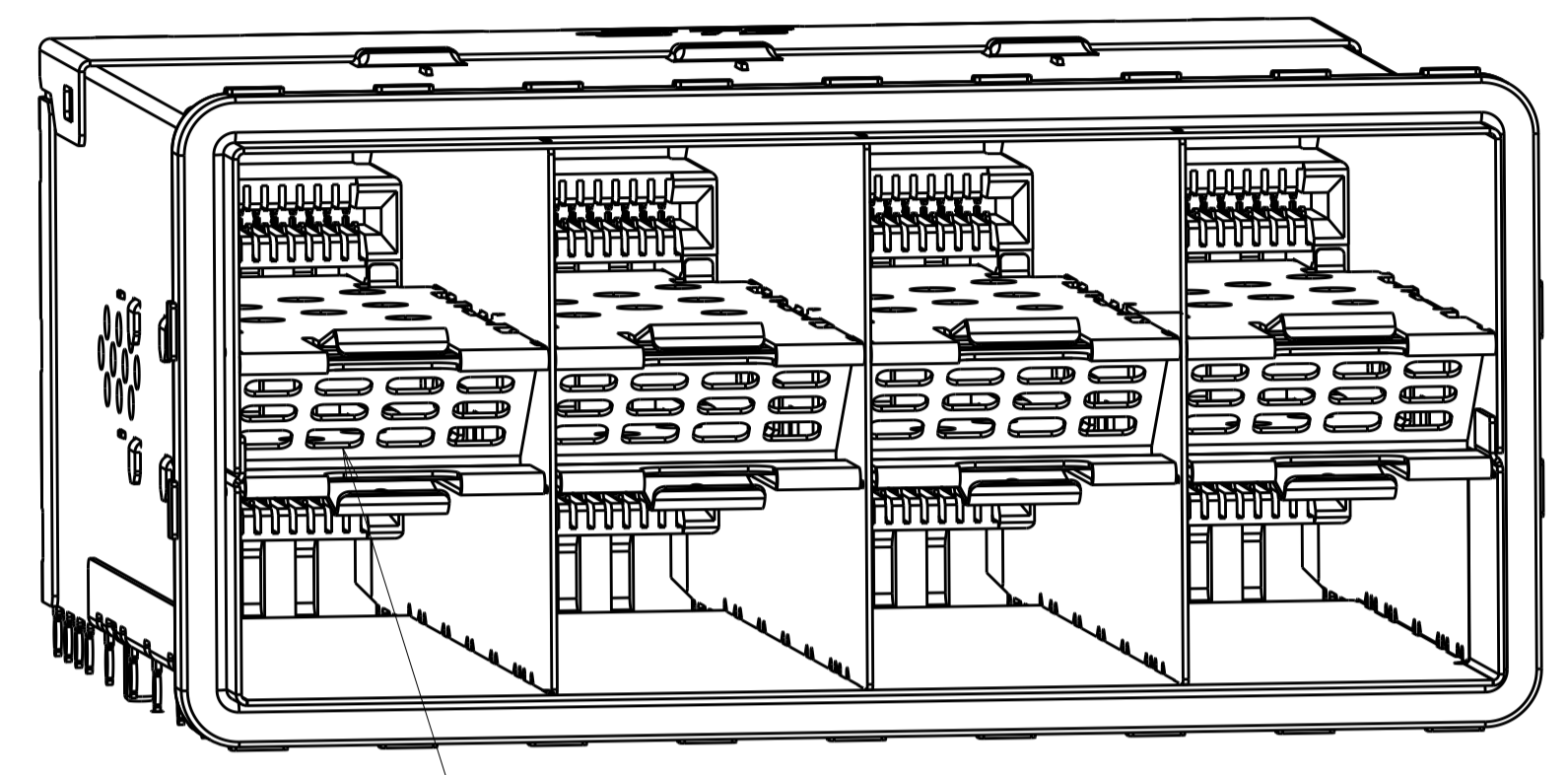
| | | | |
|-------|--|-----------------------------|----------------|
| 59.5 | EMI SPRING INSULATOR TAPE AIRFLOW ENHANCE TYPE | NONE | 3-2339978-4 |
| 59.5 | EMI SPRING AIRFLOW ENHANCE TYPE | OUTER | 3-2339978-3 |
| 59.5 | EMI SPRING AIRFLOW ENHANCE TYPE | CENTER/REVERSED OUTER | 3-2339978-2 |
| 59.5 | EMI SPRING AIRFLOW ENHANCE TYPE | NONE | 3-2339978-1 |
| 62.25 | EMI GASKET AIRFLOW ENHANCE TYPE | NONE | 3-2339978-0 |
| 59.5 | EMI SPRINGS | REVERSED OUTER | 2-2339978-0 |
| | | CENTER/REVERSED OUTER | 1-2339978-9 |
| 62.25 | EMI GASKET | REVERSED OUTER | 1-2339978-8 |
| | | CENTER/REVERSED OUTER | 1-2339978-7 |
| 59.5 | EMI SPRINGS | OUTER | 2339978-8 |
| | | INNER | 2339978-7 |
| | | INNER/OUTER | 2339978-6 |
| 62.25 | EMI GASKET | NONE | 2339978-5 |
| | | OUTER | 2339978-4 |
| | | INNER | 2339978-3 |
| | | INNER/OUTER | 2339978-2 |
| | | NONE | 2339978-1 |
| (E) | CAGE TYPE | LIGHT PIPE CONFIGURATION | PART NUMBER |

THIS DRAWING IS A CONTROLLED DOCUMENT.

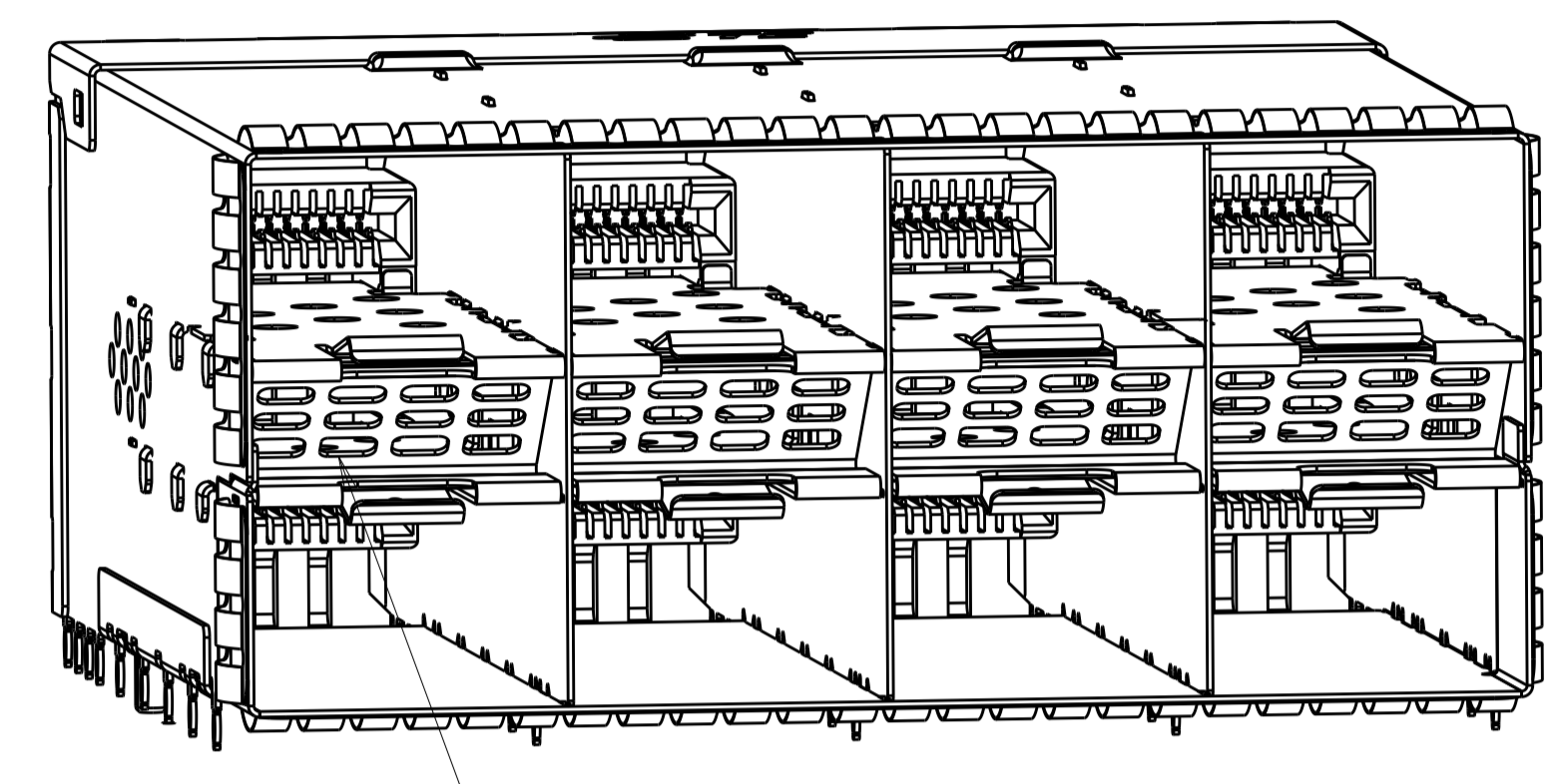
| | | | |
|-----------------------|--|-----------------------------|--|
| DIMENSIONS: | TOLERANCES UNLESS OTHERWISE SPECIFIED: | DMN J. WANG 17JUL2018 | TE Connectivity NAME RECEPTACLE ASSEMBLY, 2X4, STACKED, SFP56 |
| mm | 0 PLC ±0.25 1 PLC ±0.25 2 PLC ±0.25 3 PLC ±0.25 4 PLC ±0.25 ANGLES ±° | CHK S. HAN 17JUL2018 | |
| | | APVD S. HAN 17JUL2018 | PRODUCT SPEC 108-2481 |
| MATERIAL SEE NOTES | | FINISH SEE NOTES | APPLICATION SPEC 114-13319 |
| CUSTOMER DRAWING | | WEIGHT | SIZE CAGE CODE DRAWING NO A100779C=2339978 |
| SCALE 4:1 | | SHEET 1 OF 7 | RESTRICTED TO REV B |

| LOC | DIST | REVISIONS | | | | | |
|-----|------|-----------|-----|-------------|------|-----|------|
| GP | 00 | P | LTN | DESCRIPTION | DATE | OWN | APVD |
| - | - | - | - | SEE SHEET 1 | - | - | - |

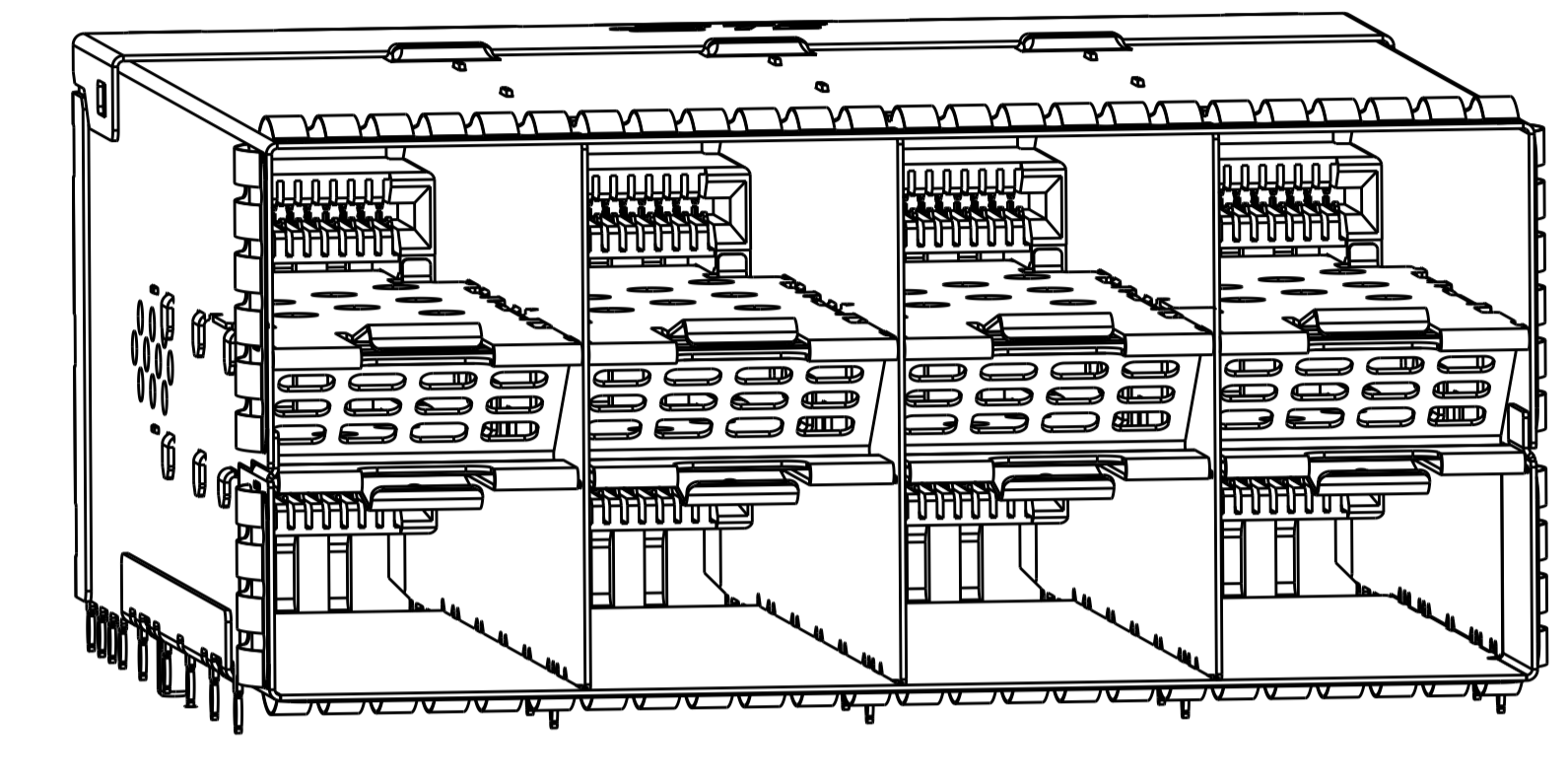
AIRFLOW ENHANCE W/O LP TYPE



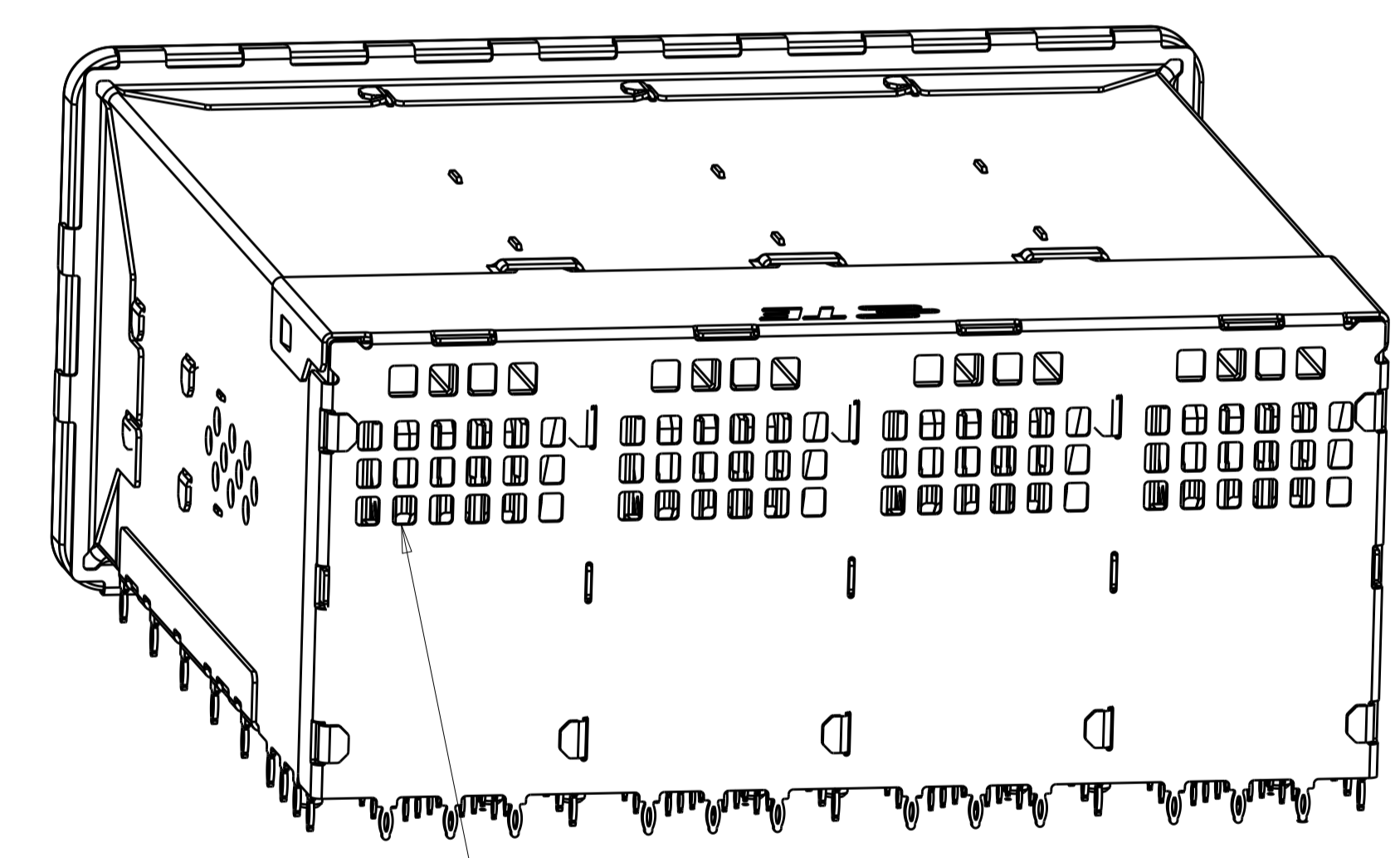
AIR VENTS



AIR VENTS

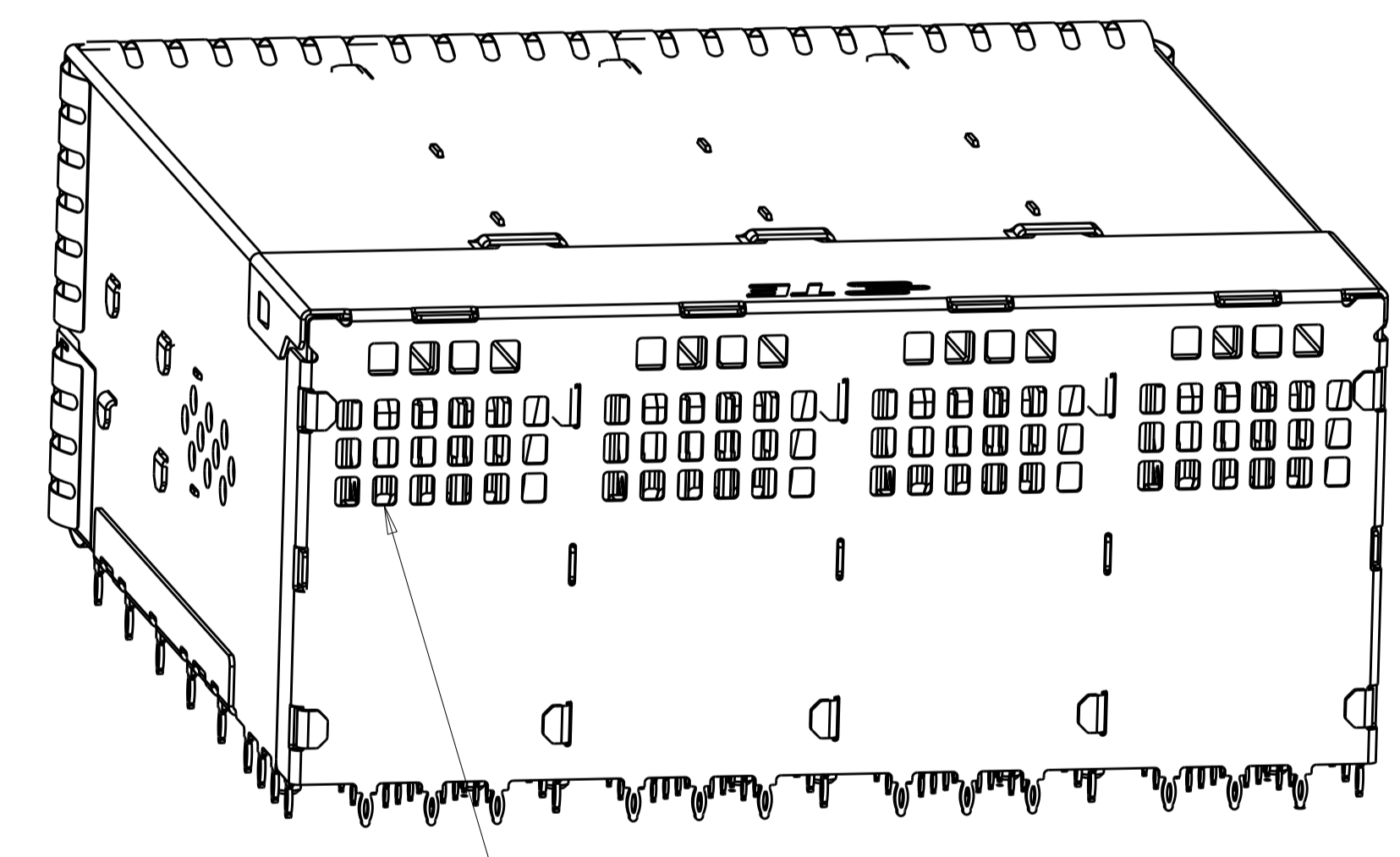


INSULATOR TAPE



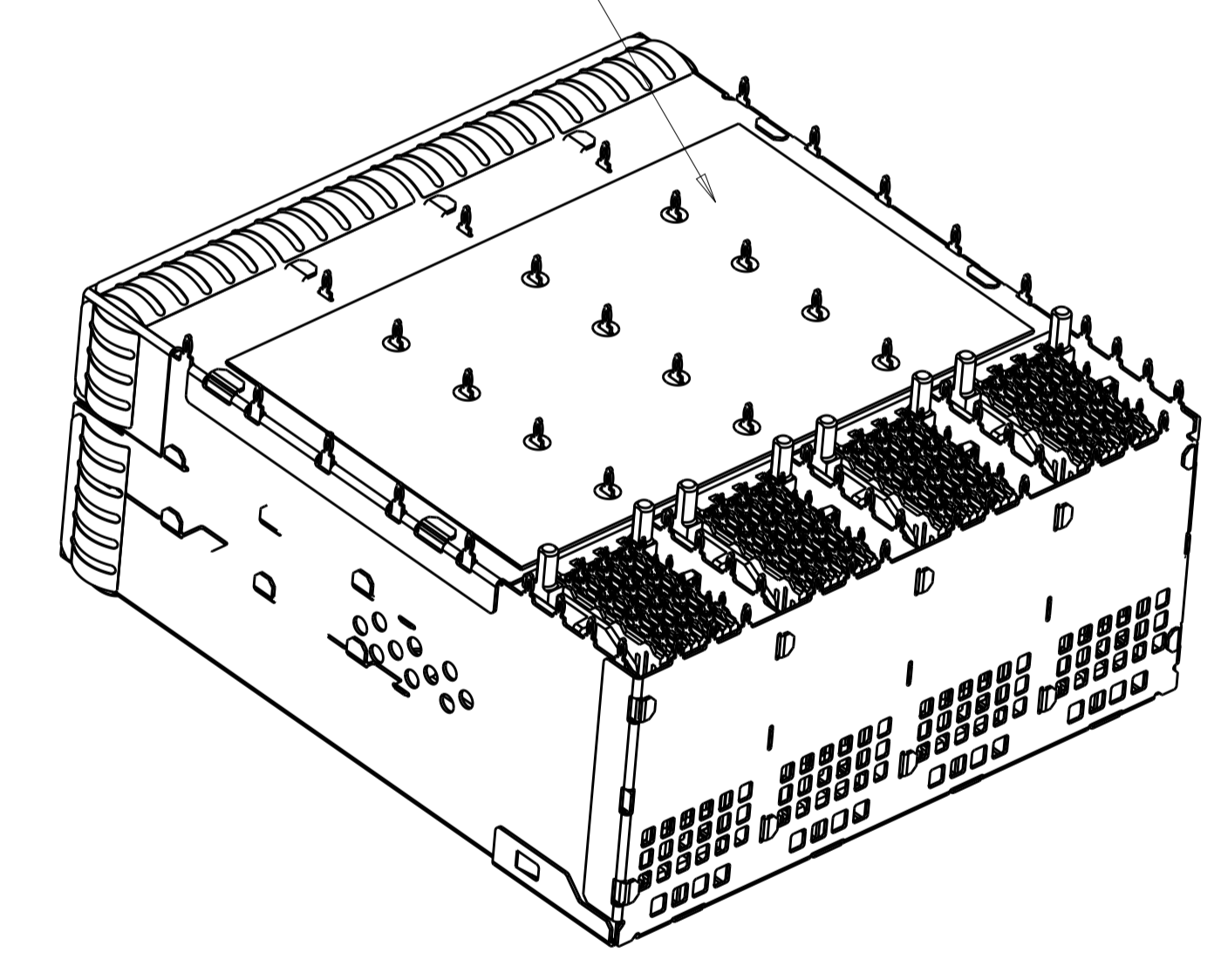
AIR VENTS

3-2339978-0
EMI GASKET TYPE



AIR VENTS

3-2339978-1
EMI SPRING TYPE



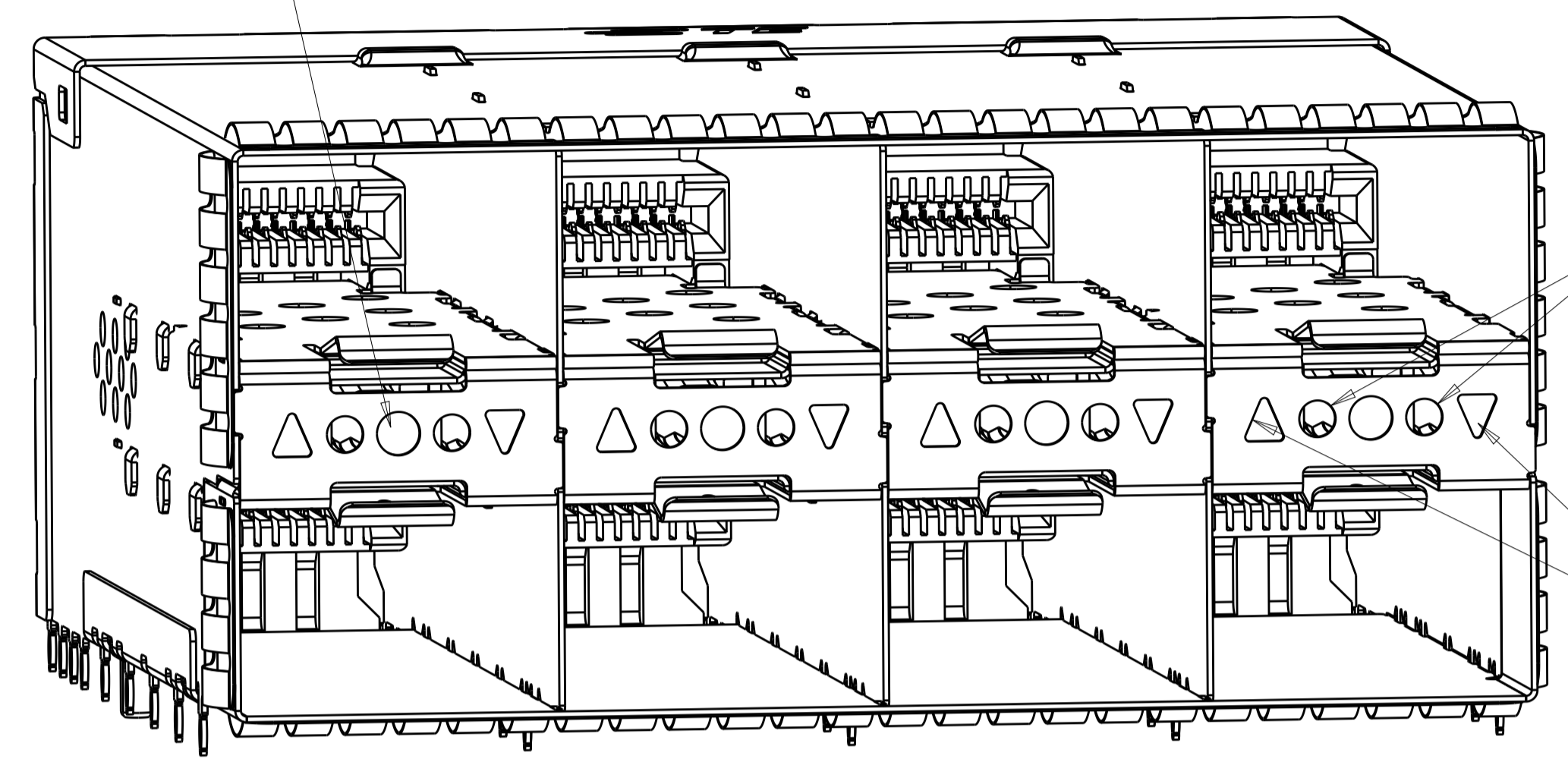
3-2339978-4
SCALE 3:1

| | | | |
|--|--|-----------------------------|---|
| THIS DRAWING IS A CONTROLLED DOCUMENT. | | OWN J. WANG 17JUL2018 | TE Connectivity |
| DIMENSIONS: mm | | CHK S. HAN 17JUL2018 | |
| | | APVD S. HAN 17JUL2018 | NAME RECEPTACLE ASSEMBLY, 2X4, STACKED, SFP56 |
| TOLERANCES UNLESS OTHERWISE SPECIFIED: | | PRODUCT SPEC | RESTRICTED TO |
| 0 PLC ±0.25 | | 108-2481 | SIZE A100779C=2339978 |
| 1 PLC ±0.25 | | APPLICATION SPEC | SCALE 4:1 SHEET 2 OF 7 REV B |
| 2 PLC ±0.25 | | 114-13319 | |
| 3 PLC ±0.25 | | WEIGHT | |
| 4 PLC ± | | CUSTOMER DRAWING | |
| ANGLES ±° | | | |
| FINISH SEE NOTES | | | |

| LOC | DIST | REVISIONS | | | | | |
|-----|------|-----------|-----|-------------|------|-----|------|
| GP | 00 | P | LYR | DESCRIPTION | DATE | OWN | APVD |
| - | - | - | - | SEE SHEET 1 | - | - | - |

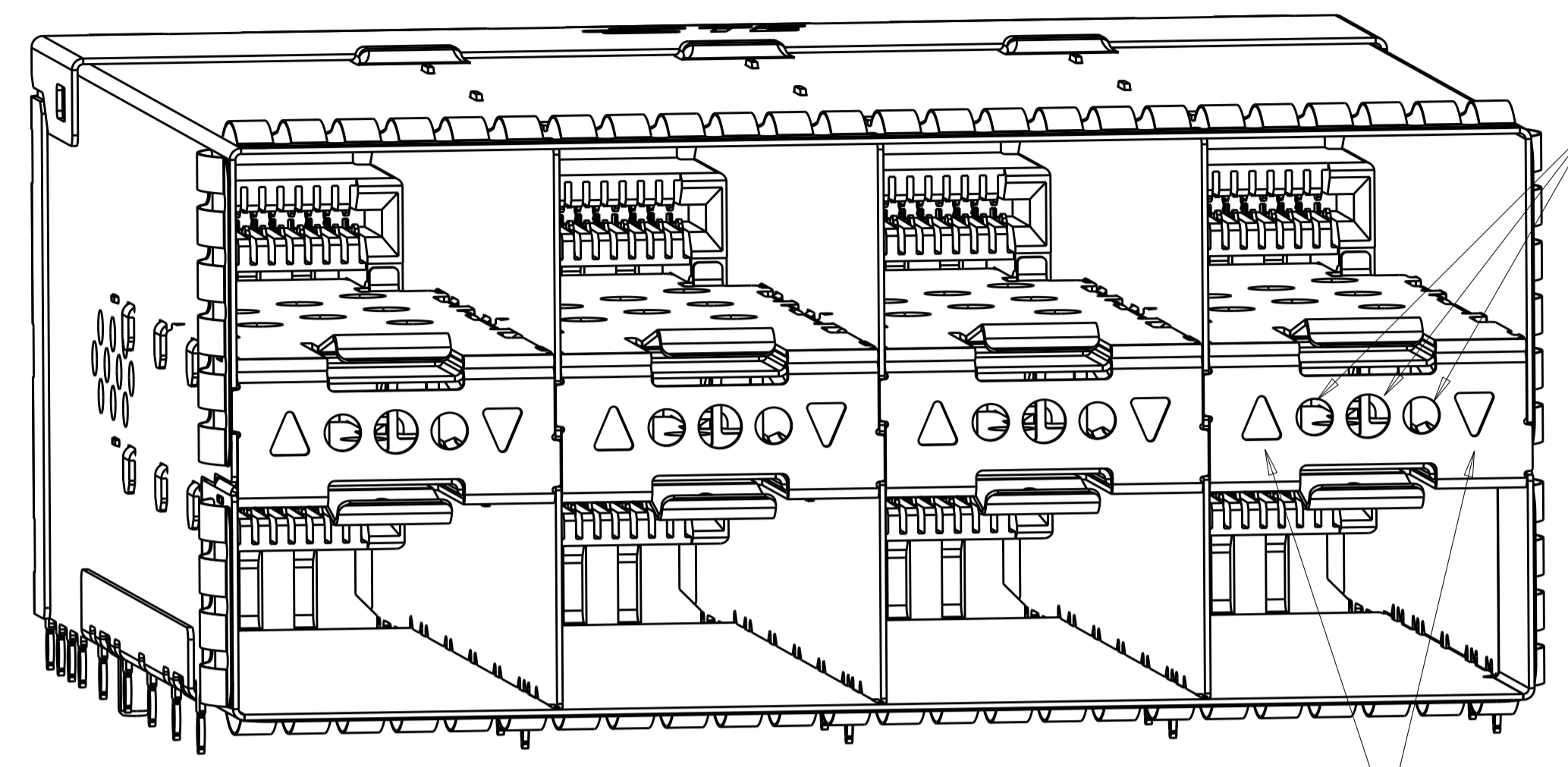
AIRFLOW ENHANCE W/ LP TYPE

INNER LIGHT PIPE



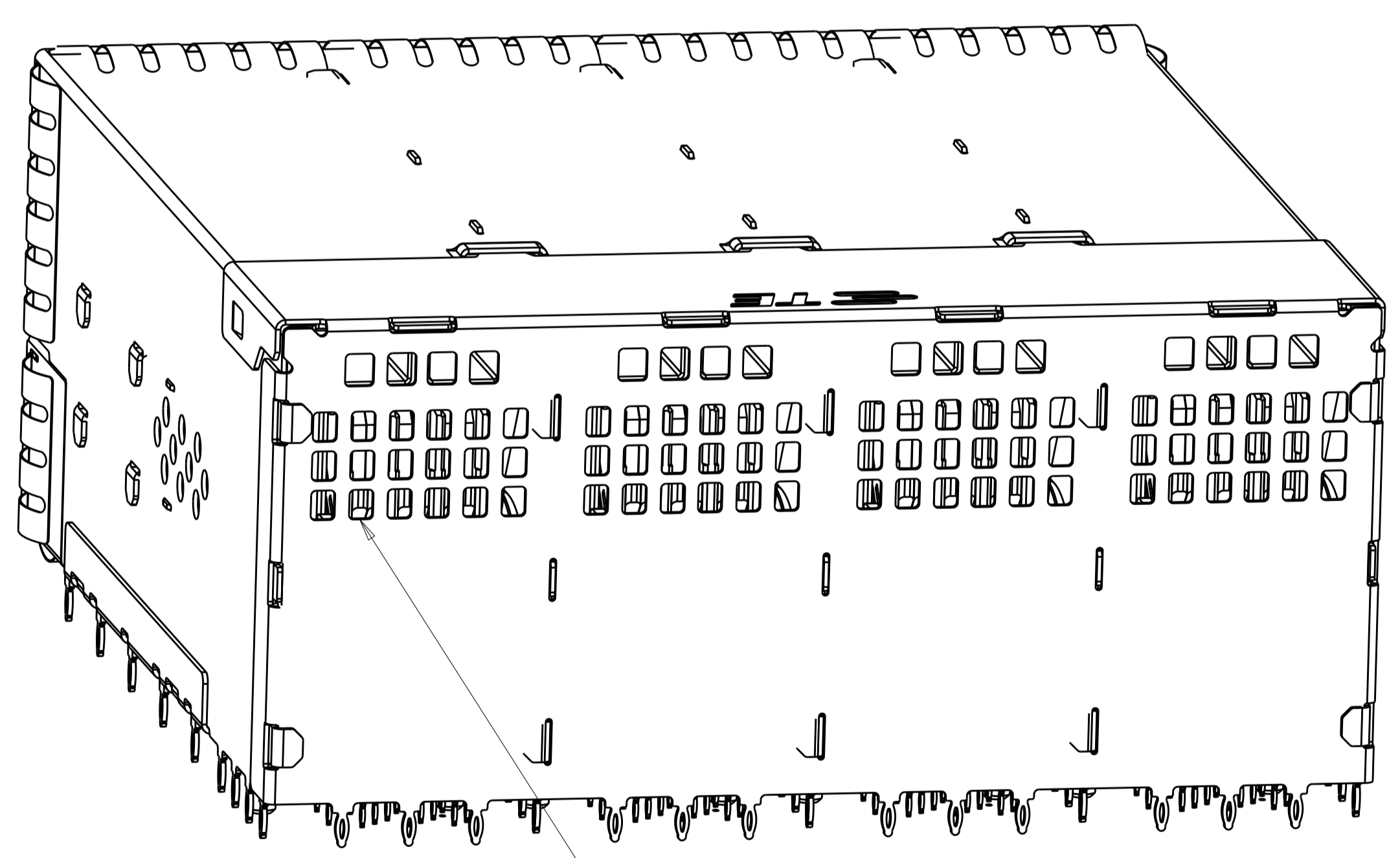
AIR VENTS

OUTER LIGHT PIPE



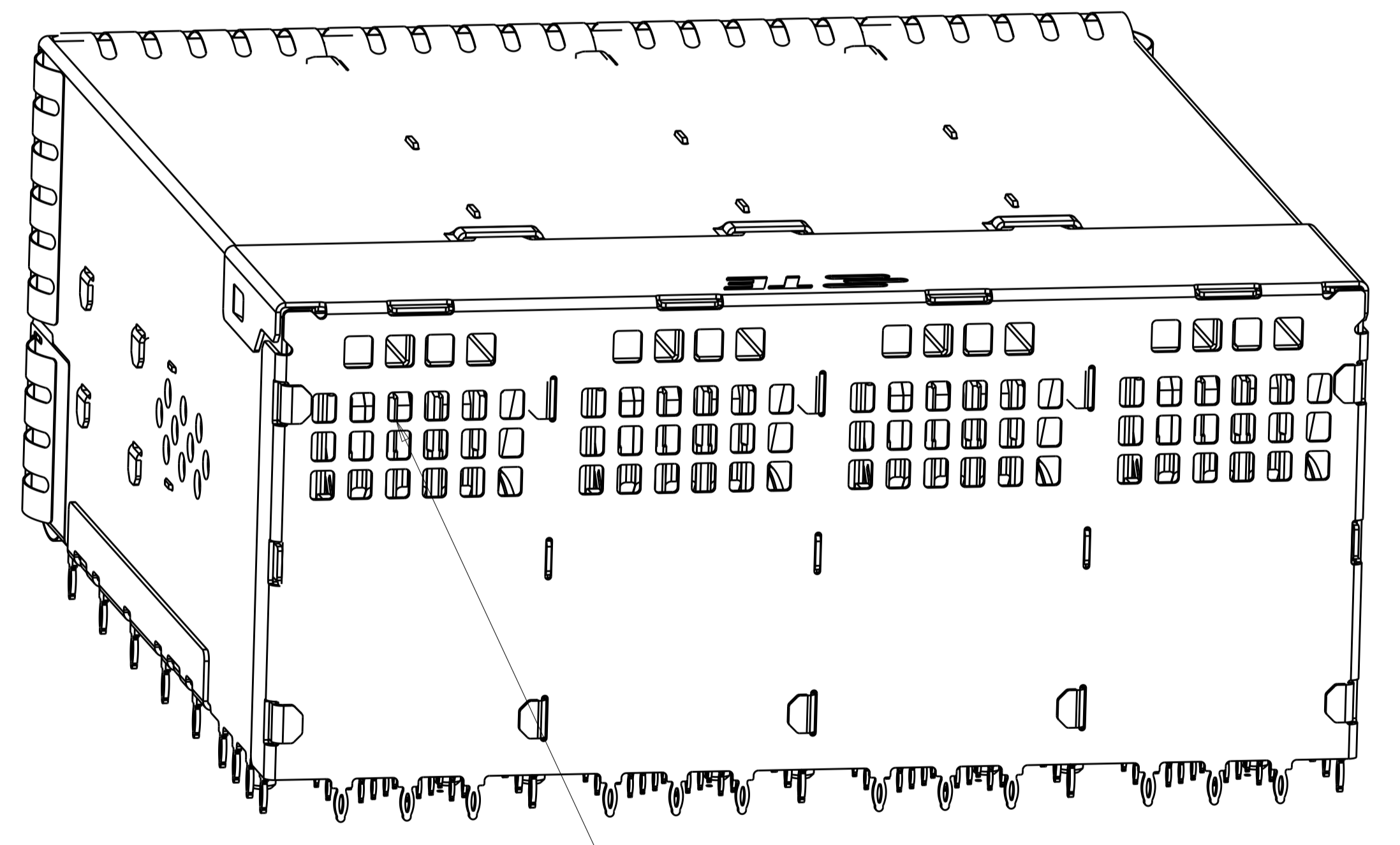
AIR VENTS

OUTER LIGHT PIPE




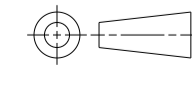
AIR VENTS

3-2339978-2
EMI SPRING W/ LP TYPE

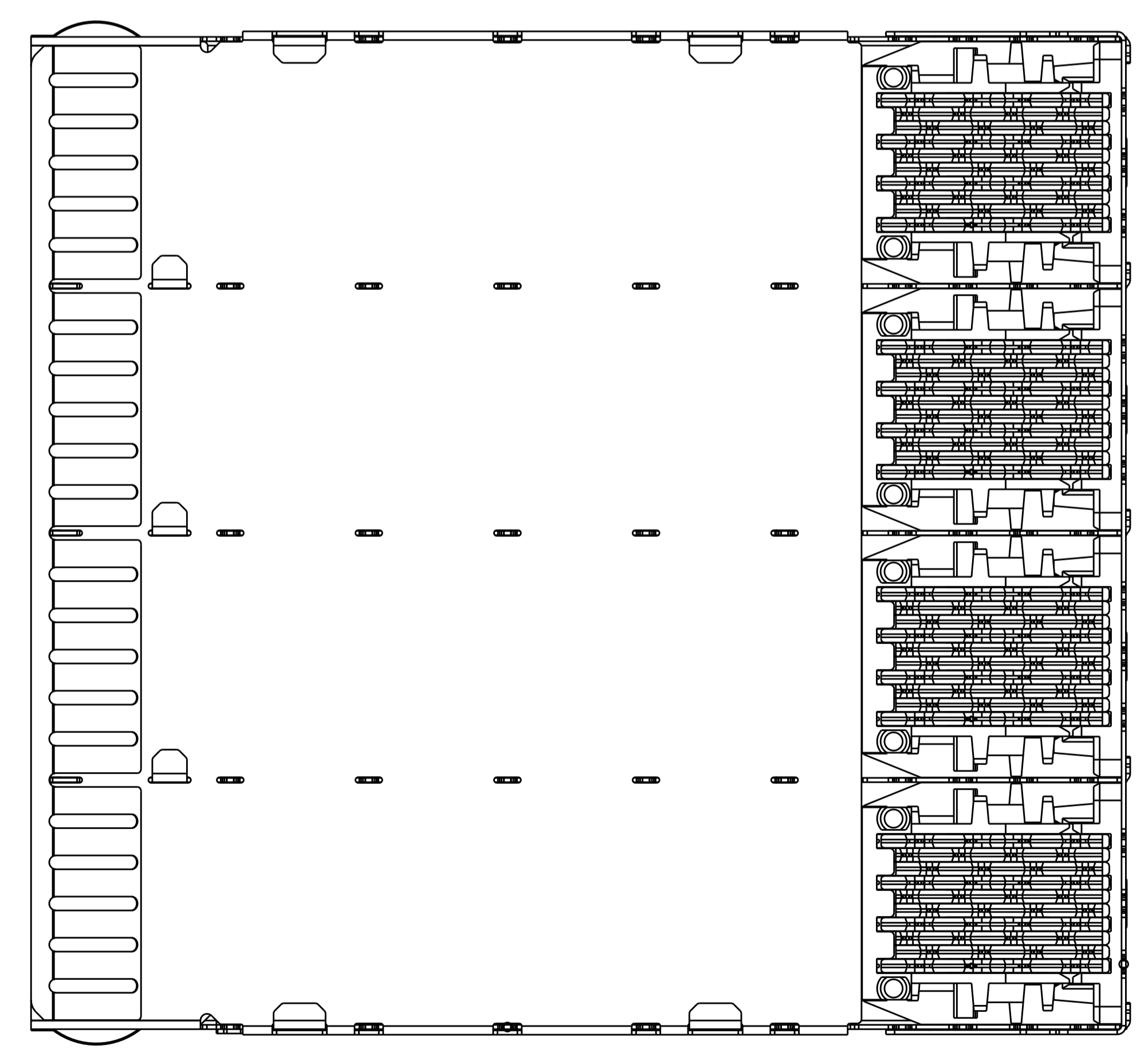
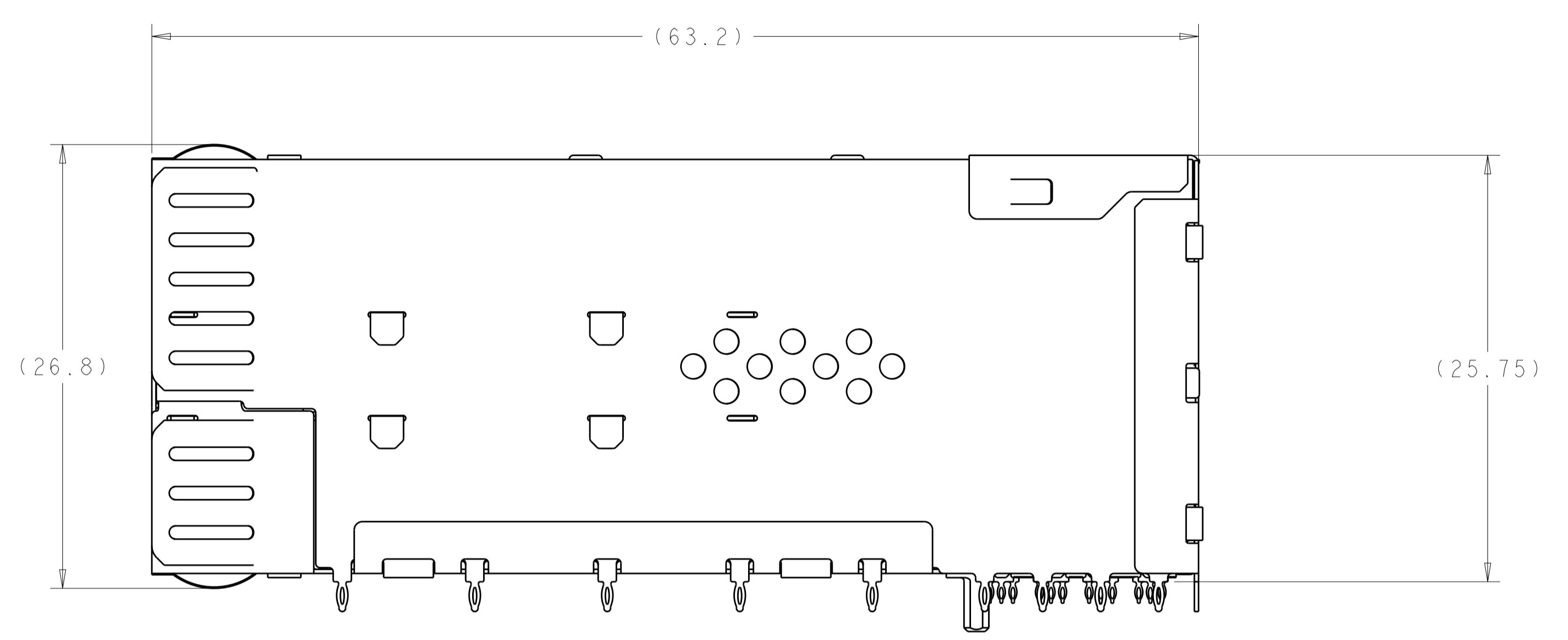
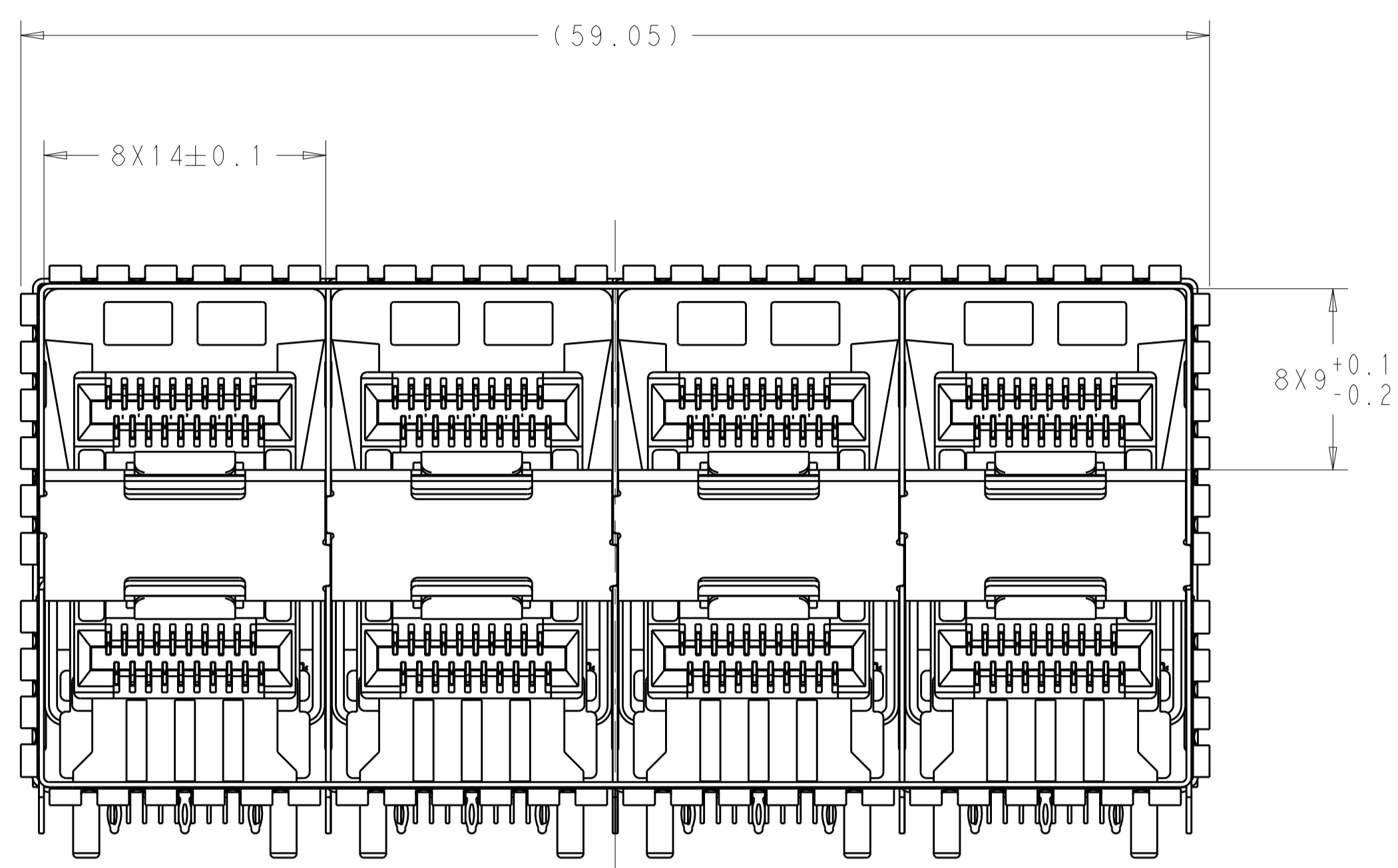


AIR VENTS

3-2339978-3
EMI SPRING W/ OUTER LP TYPE

| | | | |
|--|--|---|---|
| THIS DRAWING IS A CONTROLLED DOCUMENT. | | OWN: J. WANG 17JUL2018 |  TE Connectivity |
| DIMENSIONS: mm | | CHK: S. HAN 17JUL2018 | |
| TOLERANCES UNLESS OTHERWISE SPECIFIED: 0 PLC ±0.25 1 PLC ±0.25 2 PLC ±0.25 3 PLC ±0.25 4 PLC ±0.25 ANGLES ±° | | APVD: S. HAN 17JUL2018 | NAME: RECEPTACLE ASSEMBLY, 2X4, STACKED, SFP56 |
| MATERIAL: SEE NOTES | | FINISH: SEE NOTES | PRODUCT SPEC: 108-2481 APPLICATION SPEC: 114-13319 WEIGHT: - CUSTOMER DRAWING: - |
| DIMENSIONS: mm  | | SIZE: A1 CAGE CODE: 00779 DRAWING NO: C=2339978 | RESTRICTED TO: - SCALE: 4:1 SHEET: 3 of 7 REV: B |

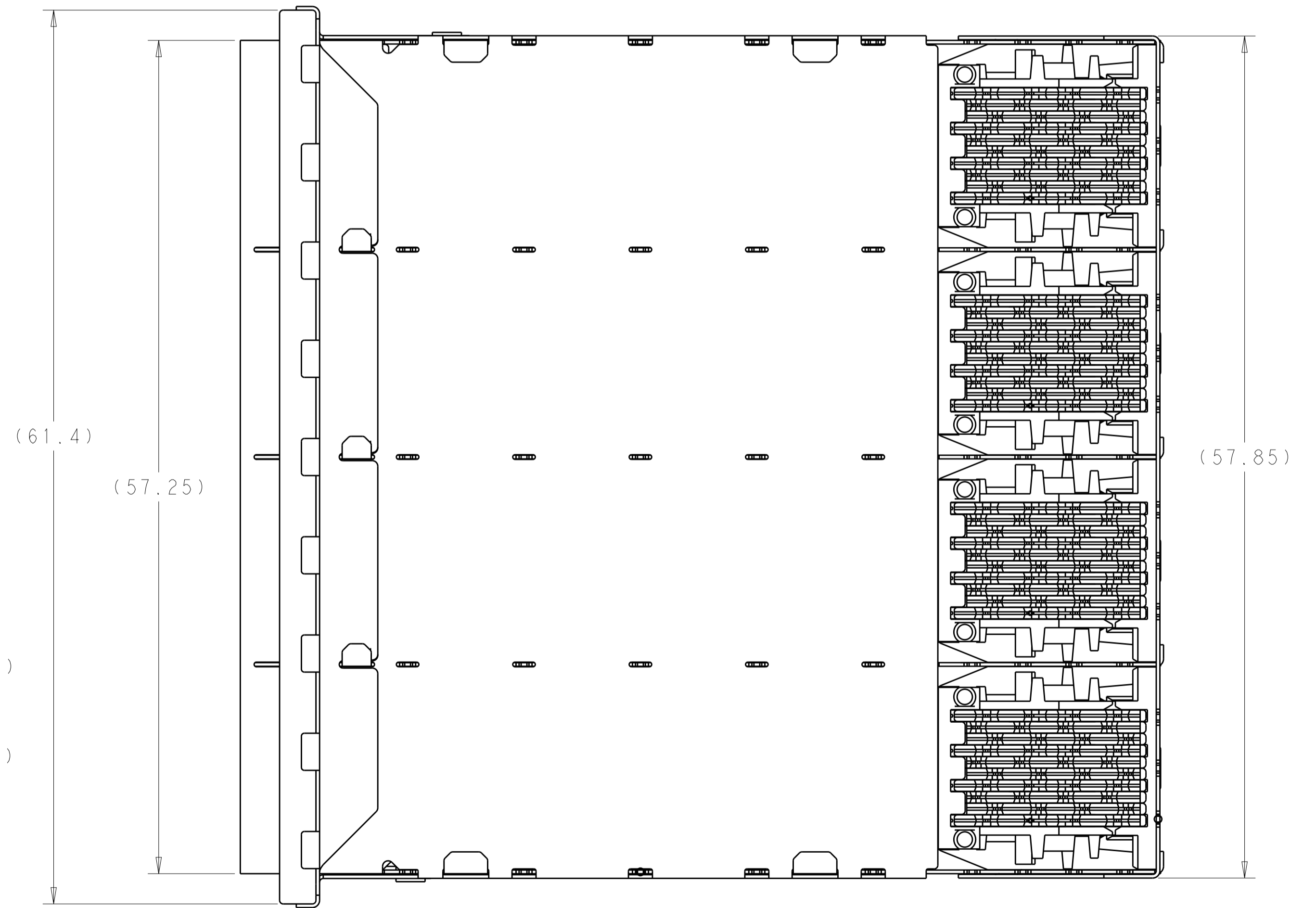
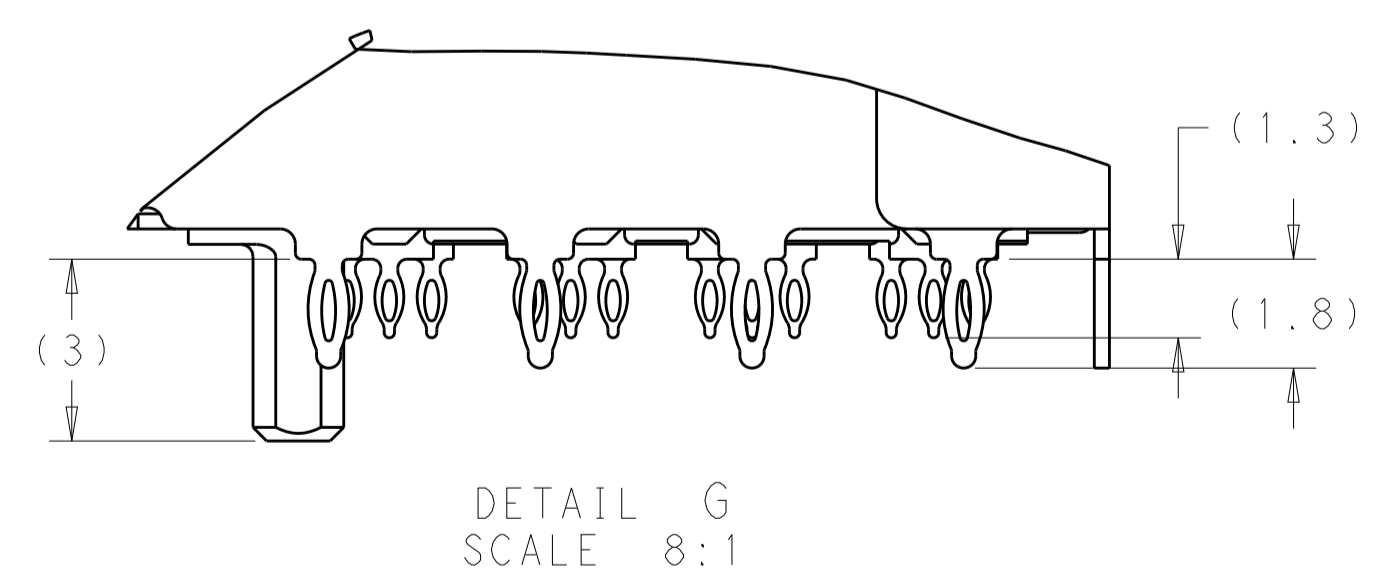
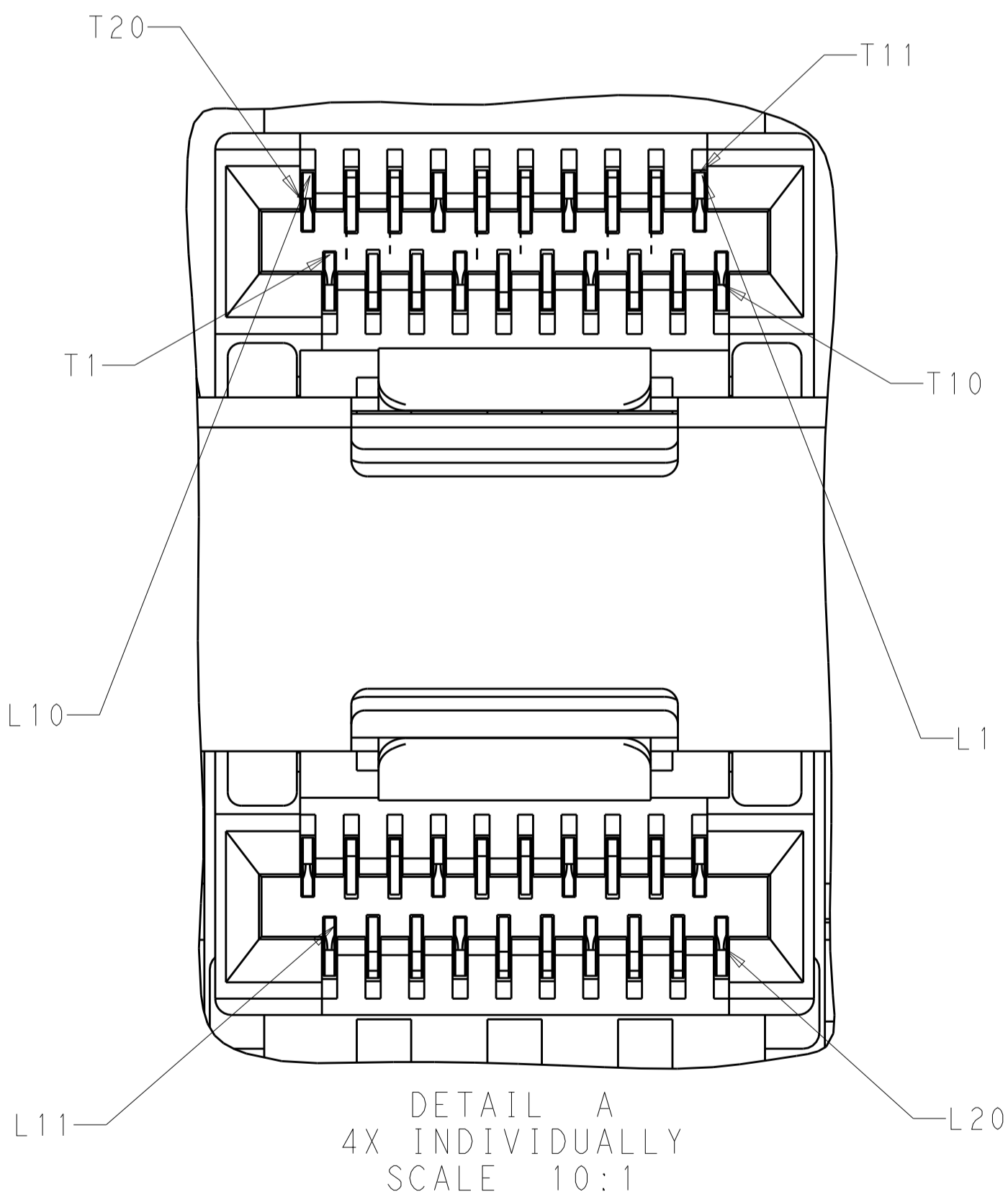
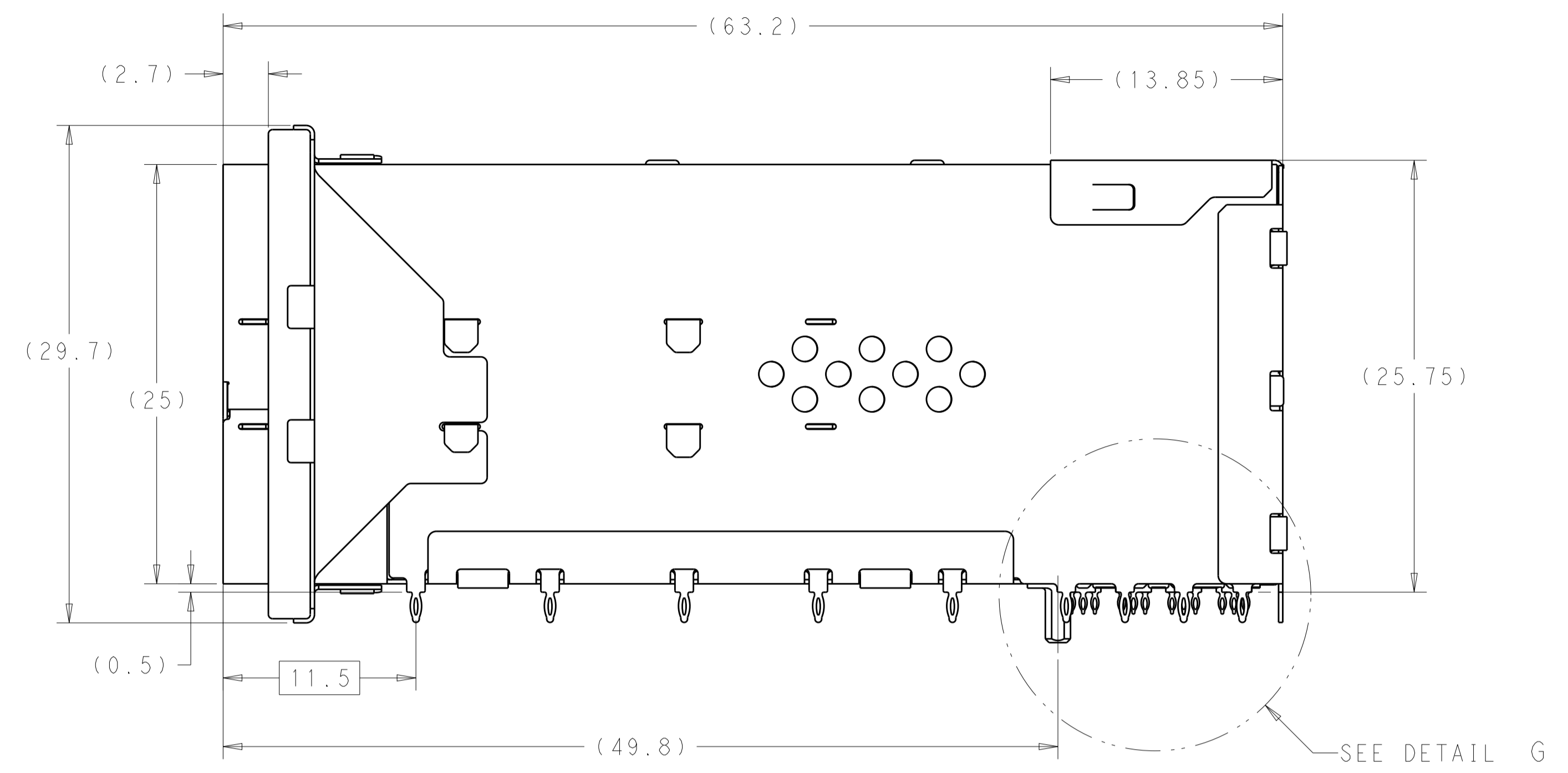
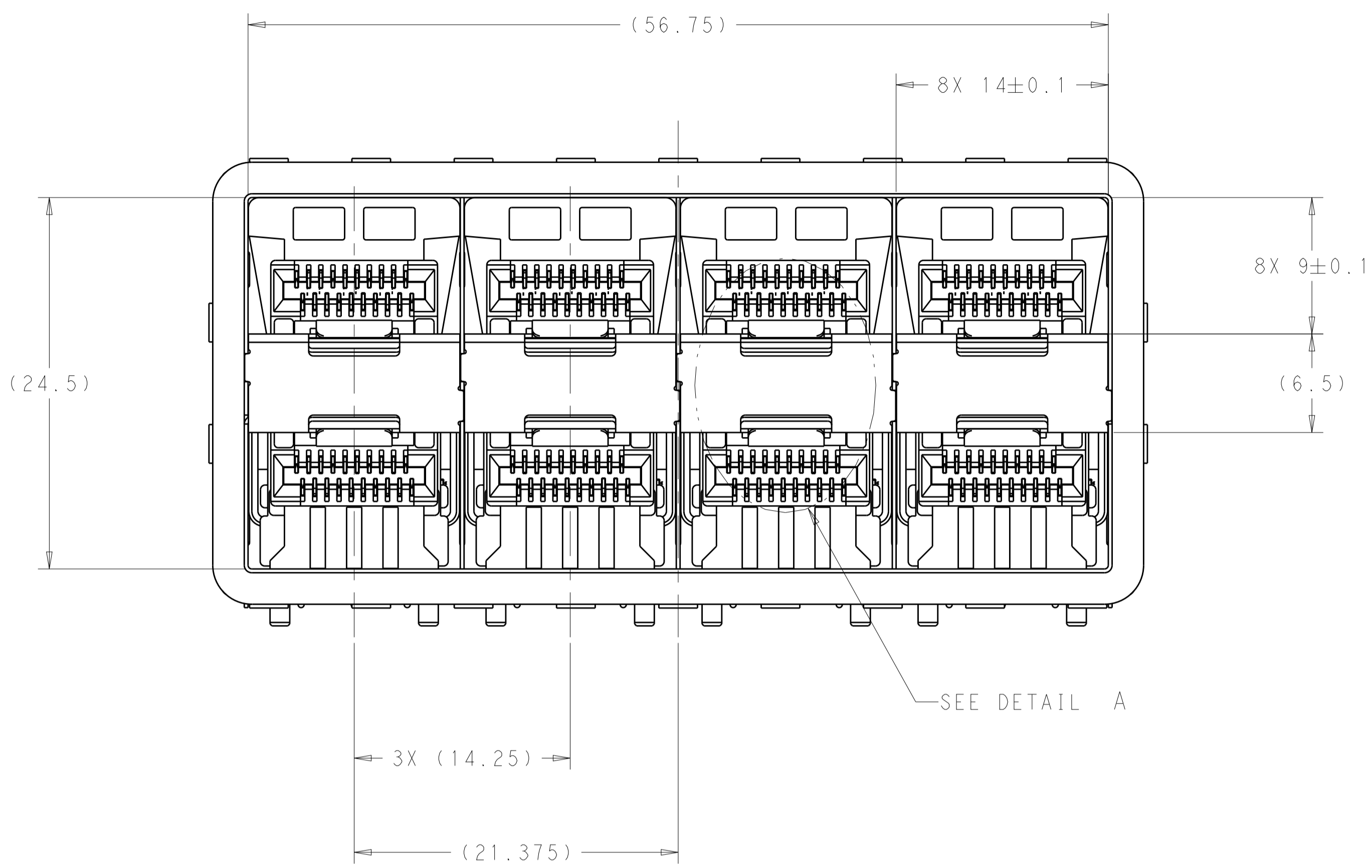
| LOC | DIST | REVISIONS | | | |
|-----|------|-------------|------|-----|------|
| P | LTN | DESCRIPTION | DATE | DMN | APVD |
| - | - | SEE SHEET 1 | - | - | - |
| | | | | | |
| | | | | | |



EMI SPRINGS VERSIONS ONLY
 SCALE 4:1

| | | | |
|--|--|-----------------------------|--|
| THIS DRAWING IS A CONTROLLED DOCUMENT. | | DMN J. WANG 17JUL2018 | TE Connectivity NAME RECEPTACLE ASSEMBLY, 2X4, STACKED, SFP56 |
| DIMENSIONS: mm | | CHK S. HAN 17JUL2018 | |
| TOLERANCES UNLESS OTHERWISE SPECIFIED: 0 PLC ±0.25 1 PLC ±0.25 2 PLC ±0.25 3 PLC ±0.25 4 PLC ± ANGLES ±° | | APVD S. HAN 17JUL2018 | PRODUCT SPEC 108-2481 |
| MATERIAL SEE NOTES | | FINISH SEE NOTES | APPLICATION SPEC 114-13319 |
| | | WEIGHT | RESTRICTED TO |
| | | CUSTOMER DRAWING | SIZE A100779 |
| | | SCALE 4:1 | CAGE CODE C=2339978 |
| | | SHEET 4 OF 7 | REV B |

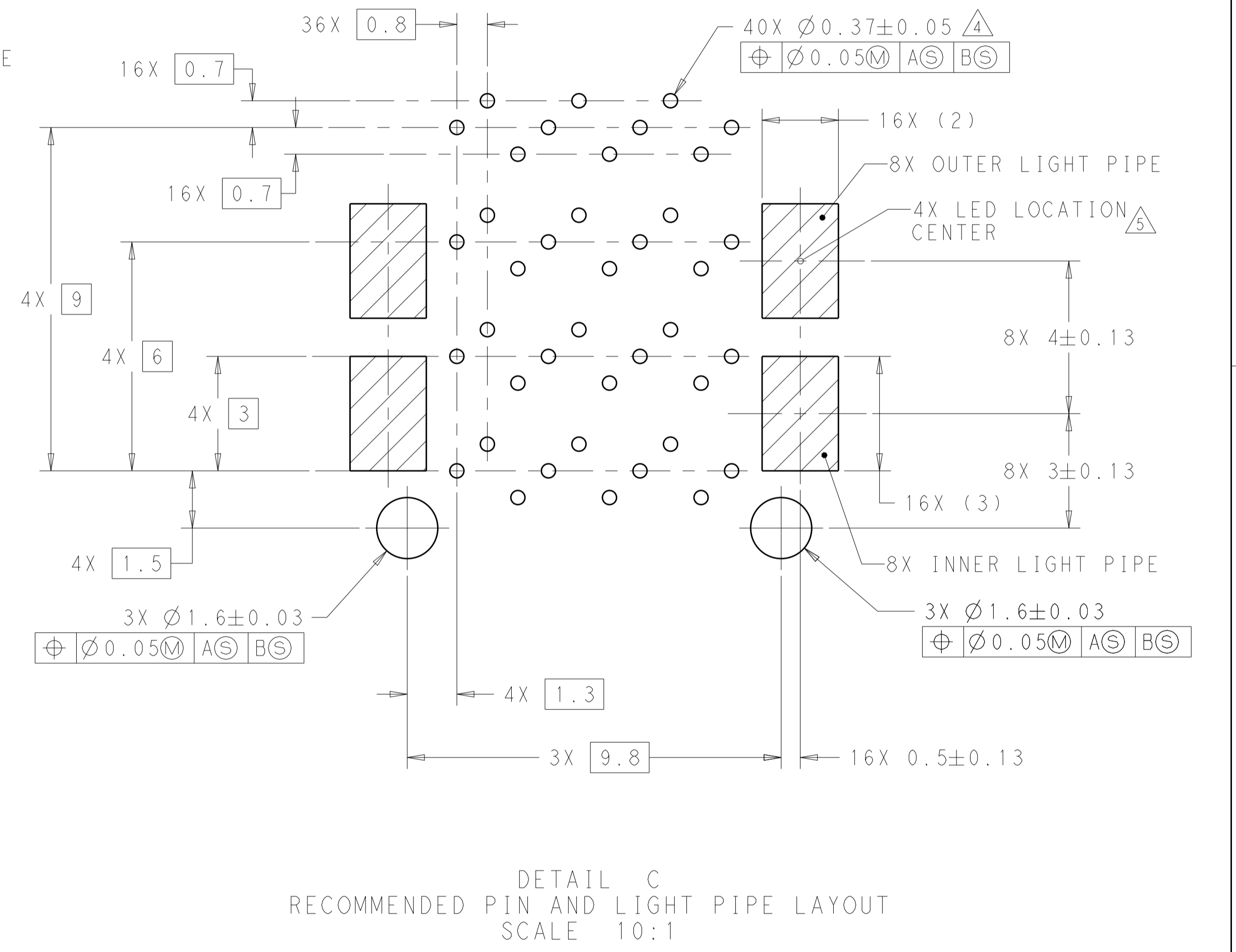
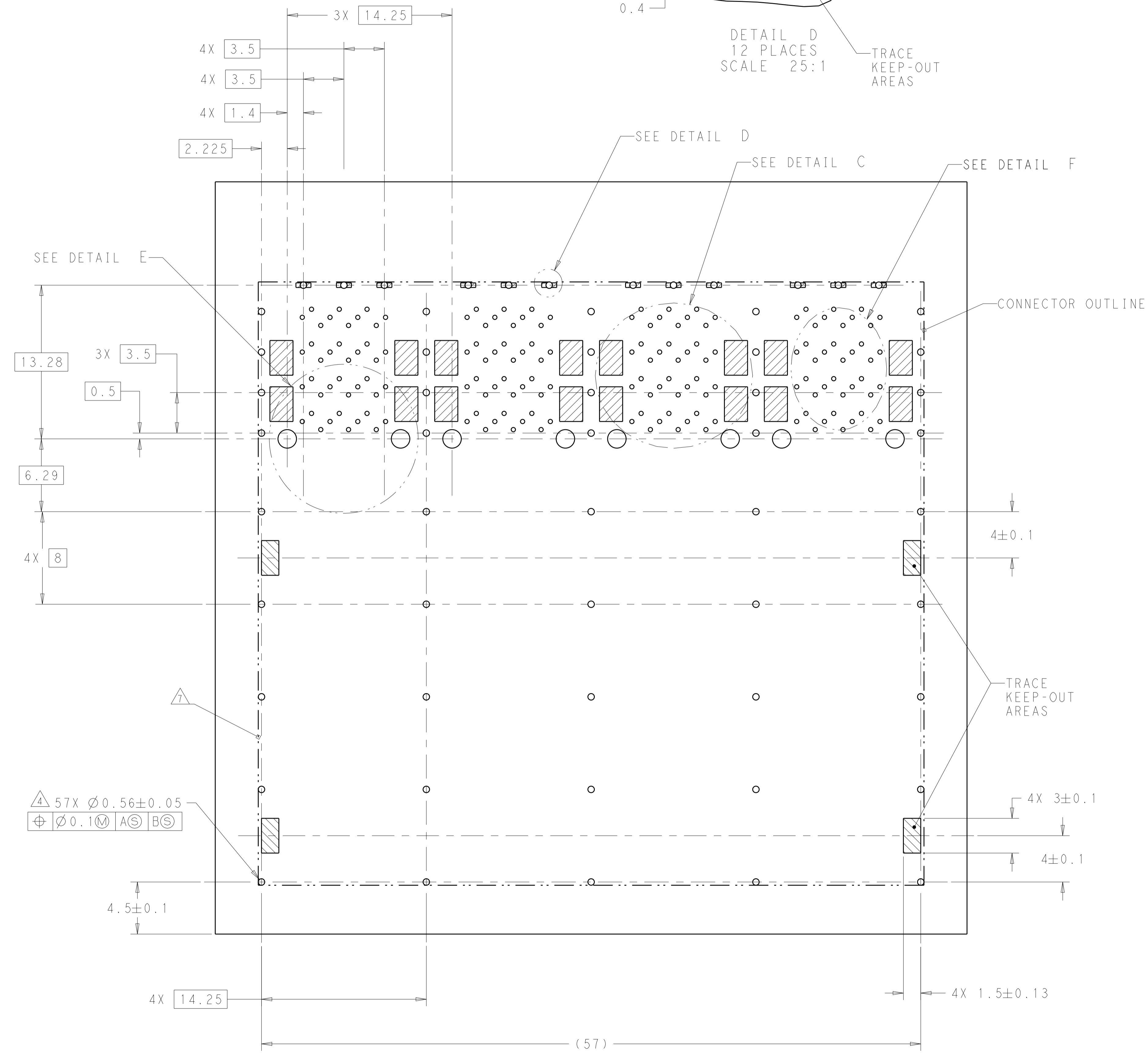
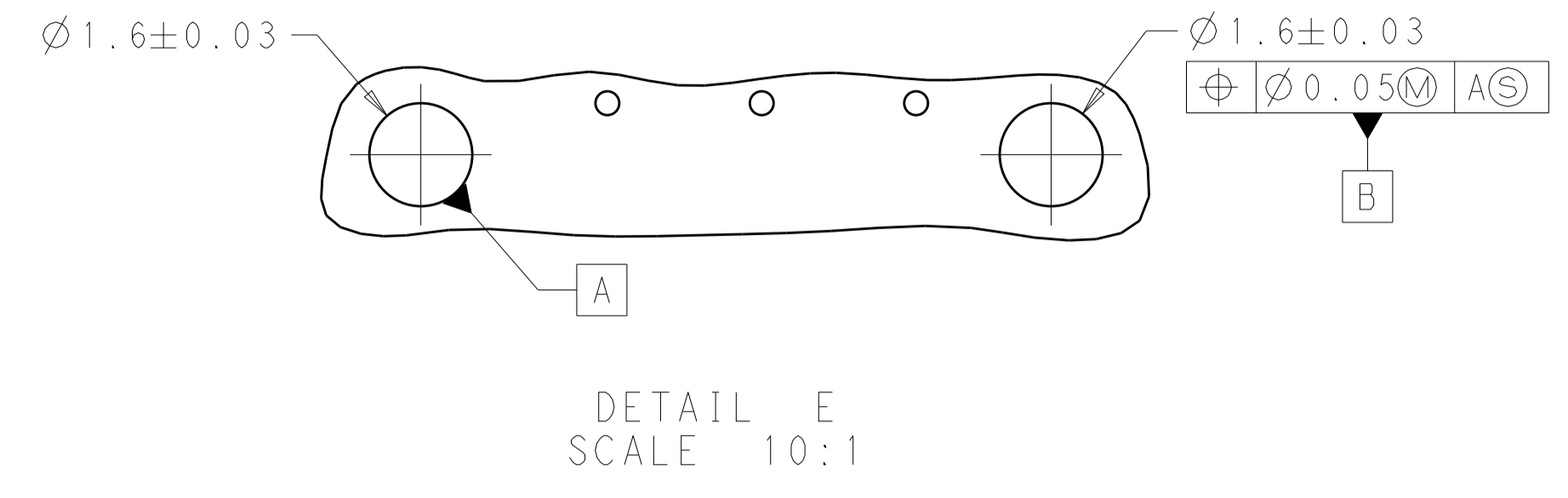
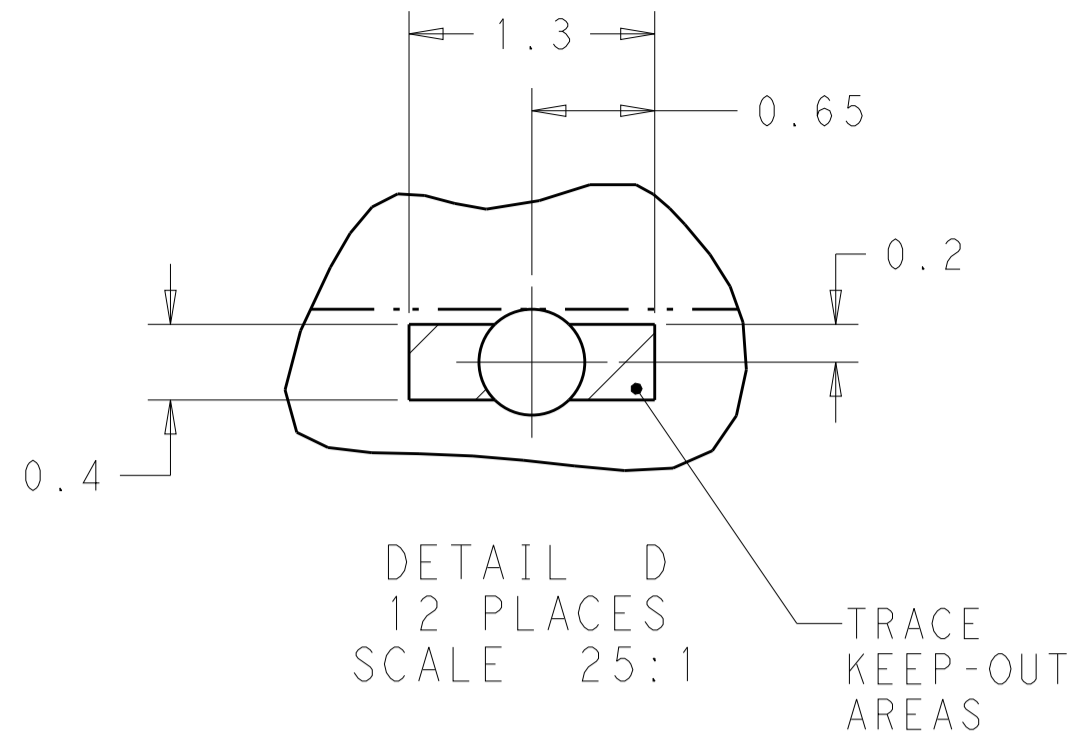
| LOC | | DIST | | REVISIONS | | | |
|-----|----|------|-----|-------------|------|-----|------|
| GP | 00 | P | LTH | DESCRIPTION | DATE | DWN | APVD |
| | | | | SEE SHEET 1 | | | |



THIS DRAWING IS A CONTROLLED DOCUMENT.

| | | | |
|--------------------|--|------------------------------|---|
| DIMENSIONS: | TOLERANCES UNLESS OTHERWISE SPECIFIED: | DWN J. WANG 17JUL2018 | TE Connectivity NAME RECEPTACLE ASSEMBLY, 2X4, STACKED, SFP56 PRODUCT SPEC 108-2481 APPLICATION SPEC SIZE CAGE CODE DRAWING NO. RESTRICTED TO 114-13319 A100779C=2339978 WEIGHT CUSTOMER DRAWING |
| mm | 0 PLC ±0.25 1 PLC ±0.25 2 PLC ±0.25 3 PLC ±0.25 4 PLC ±0.25 ANGLES ±° | CHK S. HAN 17JUL2018 | |
| | | APVD S. HAN 17JUL2018 | |
| MATERIAL SEE NOTES | FINISH SEE NOTES | SCALE 4:1 SHEET 5 OF 7 REV B | |

| LOC | DIST | REV | DATE | BY | APPV |
|-------------|------|-----|------|----|------|
| GP | 00 | | | | |
| REVISIONS | | | | | |
| DESCRIPTION | | | DATE | BY | APPV |
| SEE SHEET 1 | | | | | |



| | | | |
|--|--|-------------------------------|--|
| THIS DRAWING IS A CONTROLLED DOCUMENT. | | OWN J. WANG 17JUL2018 | TE Connectivity |
| DIMENSIONS: mm | | CHK S. HAN 17JUL2018 | |
| TOLERANCES UNLESS OTHERWISE SPECIFIED: | | APV S. HAN 17JUL2018 | NAME RECEPTACLE ASSEMBLY, 2X4, STACKED, SFP56 |
| 0 PLC ±0.25 | | PRODUCT SPEC 108-2481 | SIZE A100779C=2339978 |
| 1 PLC ±0.25 | | APPLICATION SPEC 114-13319 | RESTRICTED TO |
| 2 PLC ±0.25 | | WEIGHT | SCALE 4:1 SHEET 6 OF 7 REV B |
| 3 PLC ±0.25 | | CUSTOMER DRAWING | |
| 4 PLC ±0.25 | | | |
| ANGLES ±4° | | | |
| MATERIAL SEE NOTES | | | |
| FINISH SEE NOTES | | | |

| LOC | DIST | REVISIONS | | | |
|-----|------|-------------|------|-----|------|
| P | LTN | DESCRIPTION | DATE | DMN | APVD |
| GP | 00 | SEE SHEET 1 | - | - | - |

T19○ T16○ T13○
 T20○ T17○ T14○ T11○
 T18○ T15○ T12○

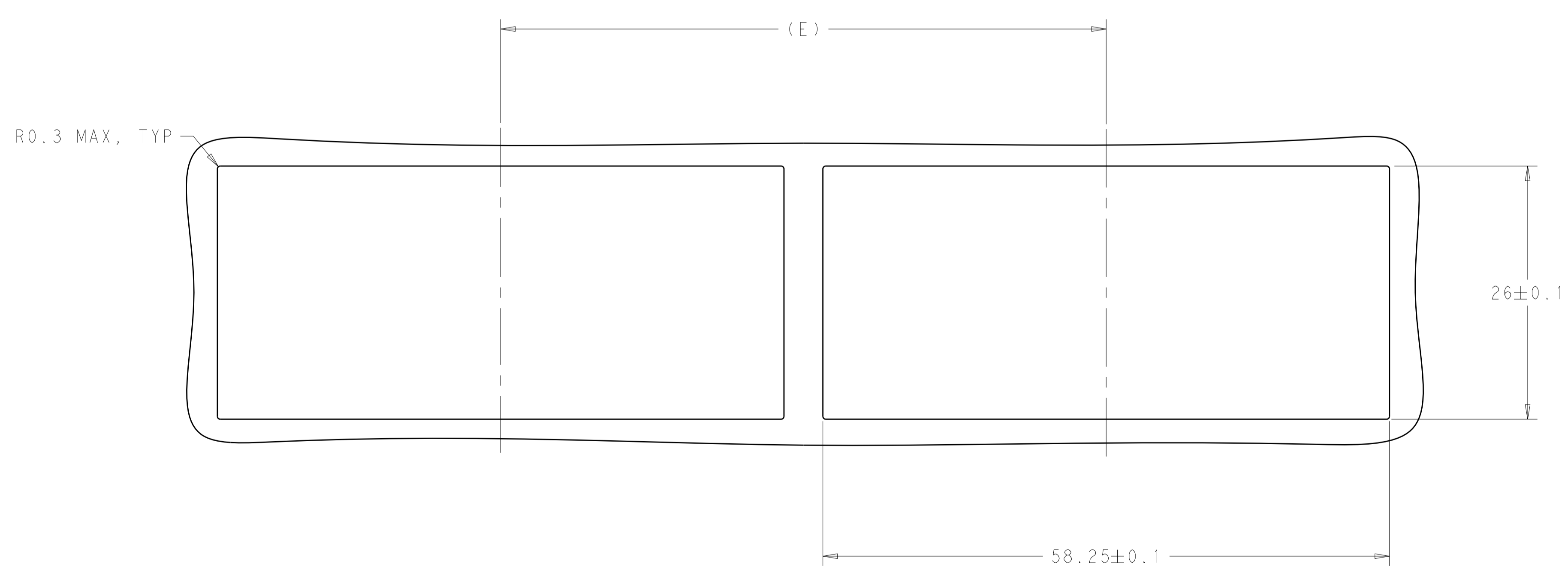
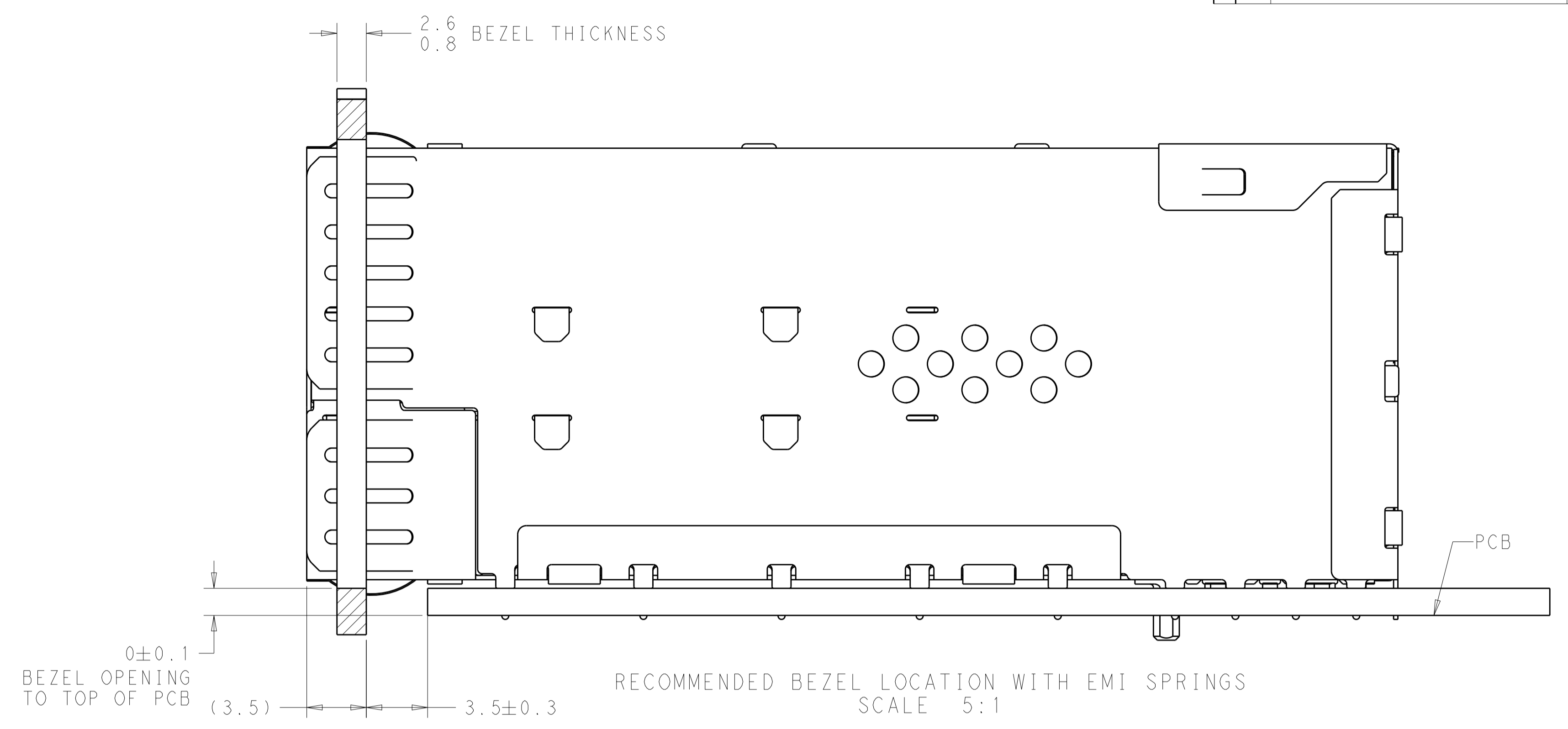
T2○ T5○ T8○
 T1○ T4○ T7○ T10○
 T3○ T6○ T9○

L9○ L6○ L3○
 L10○ L7○ L4○ L1○
 L8○ L5○ L2○

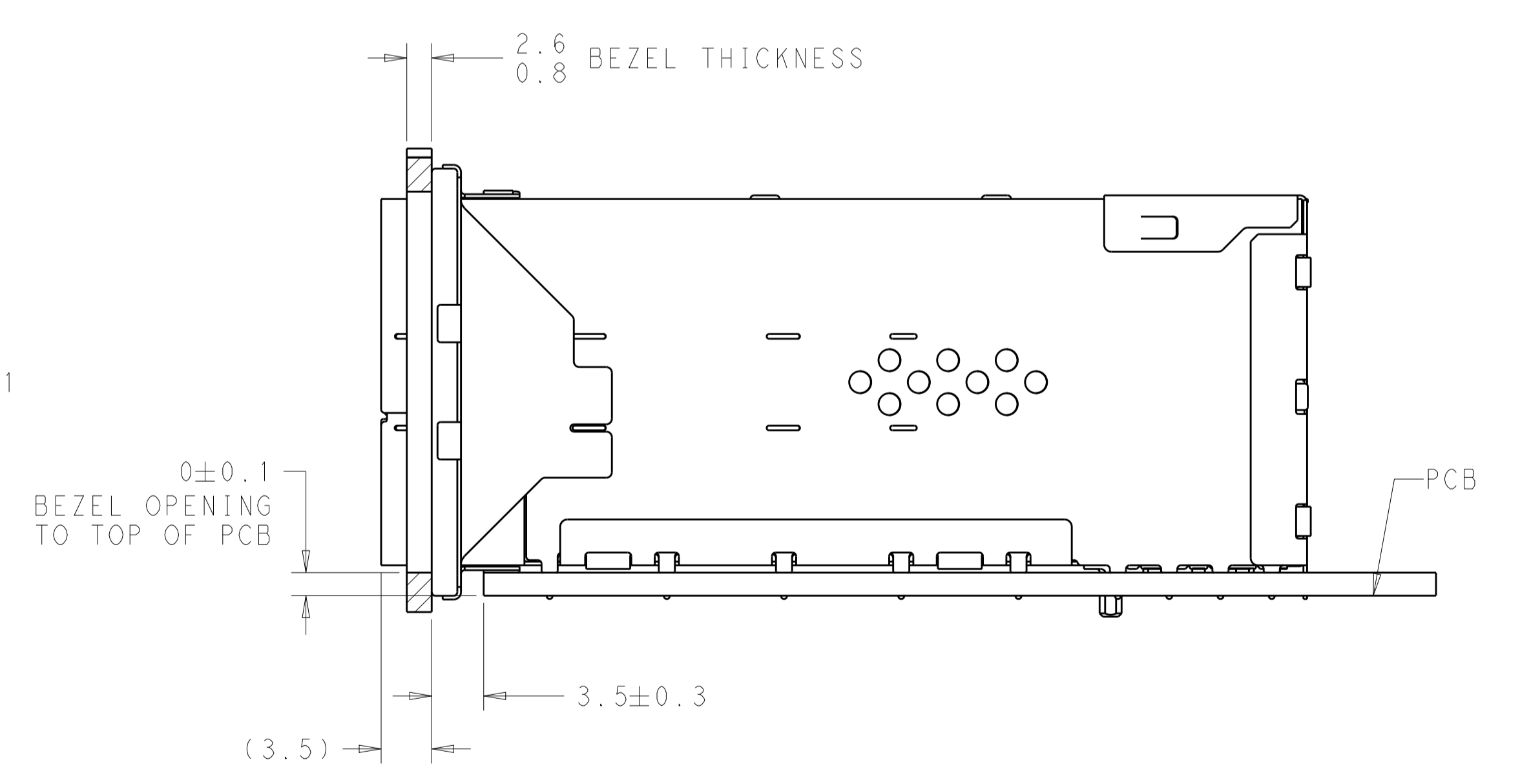
L12○ L15○ L18○
 L11○ L14○ L17○ L20○
 L13○ L16○ L19○

| PIN MAP LEGEND | |
|----------------|------------|
| PIN NUMBER | FUNCTION |
| L1/T1 | VEET |
| L2/T2 | TX-FAULT |
| L3/T3 | TX-DISABLE |
| L4/T4 | SDA |
| L5/T5 | SCL |
| L6/T6 | MOD_ABS |
| L7/T7 | RSO |
| L8/T8 | RX_LOS |
| L9/T9 | RS1 |
| L10/T10 | VEER |
| L11/T11 | VEER |
| L12/T12 | RD- |
| L13/T13 | RD+ |
| L14/T14 | VEER |
| L15/T15 | VCCR |
| L16/T16 | VCCT |
| L17/T17 | VEET |
| L18/T18 | TD+ |
| L19/T19 | TD- |
| L20/T20 | VEET |

DETAIL F
 PIN MAP
 4 PLACES
 SCALE 15:1



RECOMMENDED BEZEL CUT-OUT DETAIL
 SCALE 3:1



| | | | |
|--|-----------|-----------------------------|---|
| THIS DRAWING IS A CONTROLLED DOCUMENT. | | DMN J. WANG 17JUL2018 | TE Connectivity |
| DIMENSIONS: mm | | CHK S. HAN 17JUL2018 | |
| TOLERANCES UNLESS OTHERWISE SPECIFIED: | | APVD S. HAN 17JUL2018 | NAME RECEPTACLE ASSEMBLY, 2X4, STACKED, SFP56 |
| 0 PLC | ±0.25 | PRODUCT SPEC | 108-2481 |
| 2 PLC | ±0.25 | APPLICATION SPEC | 114-13319 |
| 3 PLC | ±0.25 | FINISH | SEE NOTES |
| 4 PLC | ±0.25 | ANGLES | 45° |
| MATERIAL | SEE NOTES | WEIGHT | - |
| CUSTOMER DRAWING | | SIZE A1 | CAGE CODE 2339978 |
| SCALE 4:1 | | SHEET 7 | OF 7 |
| REV B | | | |

Mouser Electronics

Authorized Distributor

Click to View Pricing, Inventory, Delivery & Lifecycle Information:

[TE Connectivity:](#)

[3-2339978-1](#)