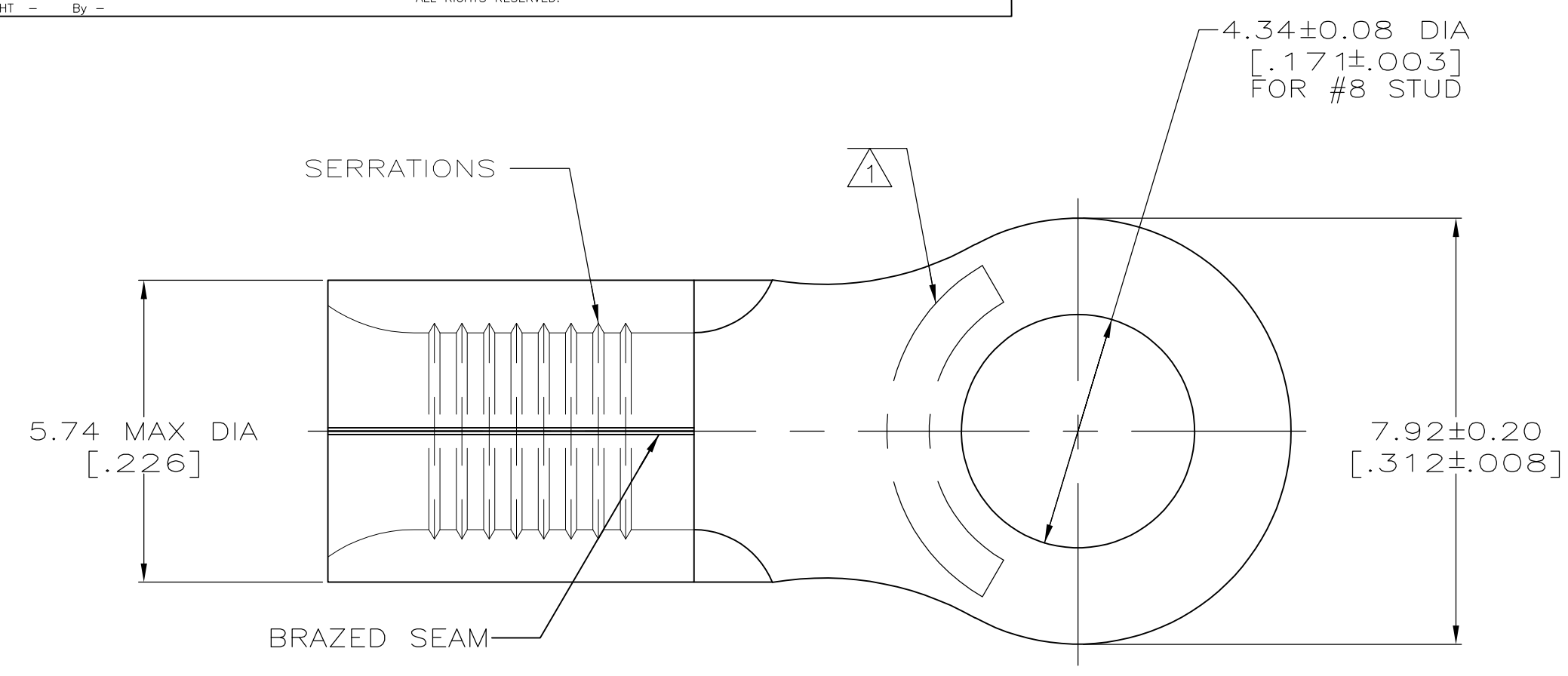
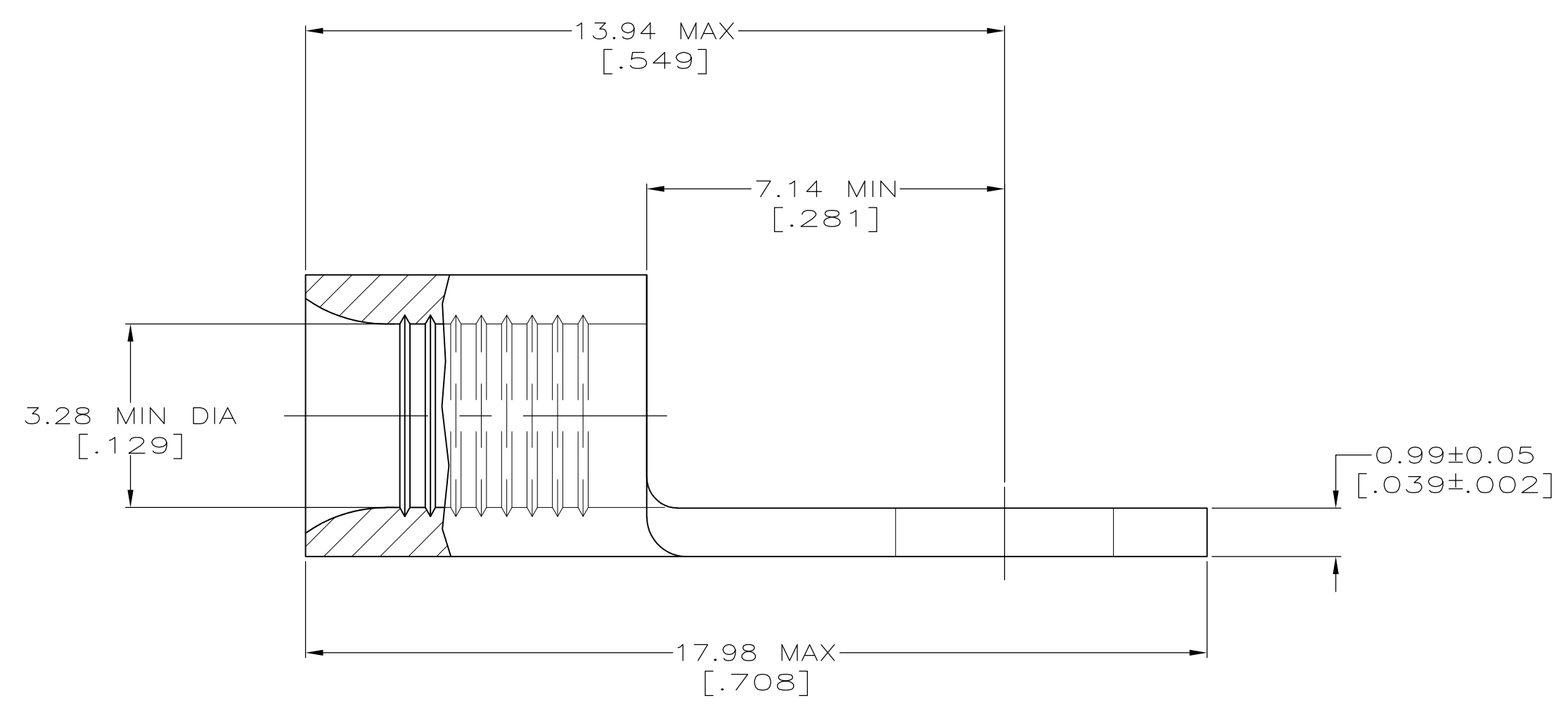


LOC	DIST	REVISIONS			JR/MS		
G	14	P	LTR	DESCRIPTION	DATE	OWN	APVD
			F1	REVISED PER ECO-11-004820	11MAR11	RK	HMR



<b>AMP</b> WIRE RANGE	Listed FILE E13288	LR7189 Certified
12-10 AWG SOLID OR STRANDED	12-10 AWG STRANDED	12-10 AWG SOLID OR STRANDED



- ① STAMP AMP 12-10\* APPROX AS SHOWN
- ② PRELIMINARY - NOT FOR PRODUCTION
- ③ 0.00254 [.000100] MIN TIN PLATE PER ASTM B-545
- ④ CLEANED, UNPLATED
- ⑤ 0.00254 [.000100] MIN TIN-LEAD (93-7) PLATE PER ASTM B-545 (3% MIN LEAD CONTENT)
- ⑥ COPPER PER ASTM B-152, ANNEALED

⑤	500	LOOSE PIECE	322454-3
④	-	LOOSE PIECE	② 322454-2
③	50	LOOSE PIECE, BOX	8-322454-2
③	2500	ON TAPE, REEL	322454-1
③	----	LOOSE PIECE	322454
FINISH	QTY	PACKAGE TYPE	PART NO.

MAX RECOMMENDED OPERATING TEMPERATURE: 170°C MAX	THIS DRAWING IS A CONTROLLED DOCUMENT.		DWN TA BRINKMAN 3-17-93	TE Connectivity
	VOLTAGE RATING: N/A	DIMENSIONS: MM [INCHES]	CHK DA PATTERSON 3-17-93	
CIRCULAR MIL AREA: 2.62-6.64mm² [5,180-13,100] SOLID OR STRANDED	TOLERANCES UNLESS OTHERWISE SPECIFIED: 0 PLC ± - 1 PLC ± - 2 PLC ± - 3 PLC ± - 4 PLC ± - ANGLES ± ± -	APVD JL MECKLEY 3-17-93	NAME TERMINAL, RING TONGUE, SOLISTRAND	
MATERIAL ⑥	FINISH SEE TABLE	PRODUCT SPEC - APPLICATION SPEC - WEIGHT -	SIZE A2	
		CUSTOMER DRAWING	RESTRICTED TO -	
		SCALE 10:1	SHEET 1 OF 1	
		REV F1		

# Mouser Electronics

Authorized Distributor

Click to View Pricing, Inventory, Delivery & Lifecycle Information:

[TE Connectivity:](#)

[322454](#)